

LTB01091NAS5



TECHNICAL BULLETIN

21 MAY 2019

© Jaguar Land Rover North America, LLC

NOTE: The information in Technical Bulletins is intended for use by trained, professional Technicians with the knowledge, tools, and equipment required to do the job properly and safely. It informs these Technicians of conditions that may occur on some vehicles, or provides information that could assist in proper vehicle service. The procedures should not be performed by 'do-it-yourselfers'. If you are not a Retailer, do not assume that a condition described affects your vehicle. Contact an authorized Land Rover service facility to determine whether this bulletin applies to a specific vehicle.

SECTION:

307-05

SUBJECT/CONCERN:

Rattle/Vibration From Under Vehicle - Transmission Heatshield Mounting Bracket Cracked

AFFECTED VEHICLE RANGE:

MODEL:	MODEL YEAR:	VIN:	ASSEMBLY PLANT:	APPLICABILITY:
Discovery (LR)	2017-2019	000127-096624	Solihull	V6 S/C 3.0L Petrol
Discovery (LR)	2019	400488-407857	Nitra (Slovakia)	V6 S/C 3.0L Petrol
Range Rover Sport (LW)	2014	000002-001205	Solihull	V6 S/C 3.0L Petrol /V8 S/C 5.0L Petrol
Range Rover Sport (LW)	2014-2015	300003-399999	Solihull	V6 S/C 3.0L Petrol /V8 S/C 5.0L Petrol
Range Rover Sport (LW)	2014-2016	500023-599999	Solihull	V6 S/C 3.0L Petrol /V8 S/C 5.0L Petrol

MODEL:	MODEL YEAR:	VIN:	ASSEMBLY PLANT:	APPLICABILITY:
Range Rover Sport (LW)	2014-2018	600009-699998	Solihull	V6 S/C 3.0L Petrol /V8 S/C 5.0L Petrol
Range Rover Sport (LW)	2016-2018	100000-199998	Solihull	V6 S/C 3.0L Petrol /V8 S/C 5.0L Petrol
Range Rover Sport (LW)	2018-2019	400000-427053	Solihull	V6 S/C 3.0L Petrol /V8 S/C 5.0L Petrol
Range Rover Sport (LW)	2018-2019	800002-864550	Solihull	V6 S/C 3.0L Petrol /V8 S/C 5.0L Petrol
Range Rover (LG)	2013-2019	000010-559722	Solihull	V6 S/C 3.0L Petrol /V8 N/A 5.0L Petrol/V8 S/C 5.0L Petrol

MARKETS:

NORTH AMERICA

CONDITION SUMMARY:

SITUATION:

A rattle/vibration noise may be evident from under the vehicle when driving on an uneven road surface.

CAUSE:

This may be caused by the transmission heatshield bracket being cracked at the mounting point.

ACTION:

Should a customer express this concern, follow the procedure(s) below.

PARTS:

NOTE:

2017-19MY vehicles with V6 3.0L S/C Petrol; 2018-19MY vehicles with V8 5.0L S/C Petrol - only Transmission heatshield (LR106479) is required.

PART NUMBER	DESCRIPTION	QUANTITY
LR106479	Transmission heatshield	1
FS106126	Bolt(s) - M6	1
TYC500140	Clip(s)	2
FN106046	Nut(s) - M6	1
LR110225	Stud bolt(s) - M6xM5	1
LR110224	Plastic fixing	1

TOOLS:

Refer to Workshop Manual for any required special tools.

WARRANTY:

NOTES:

- Repair procedures are under constant review, and therefore times are subject to change; those quoted here must be taken as guidance only. Use TOPIx to obtain the latest repair time.
- The JLR claims submission system requires the use of causal part numbers. Labor only claims must show the causal part number with a quantity of zero.

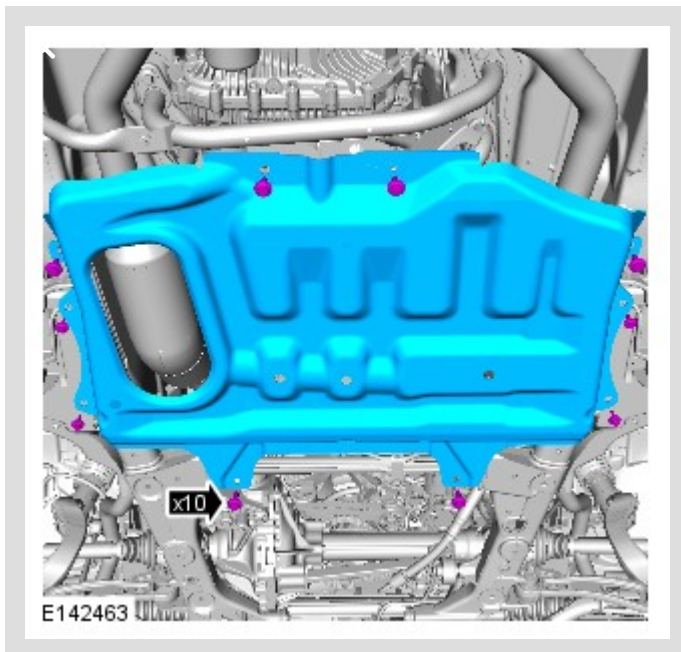
DESCRIPTION	SRO	TIME (HOURS)	CONDITION CODE	CAUSAL PART
Transmission heatshield - Modification - 2013-16MY V6 3.0L S/C Petrol	44.90.89.41	0.5	01	LR073535
Transmission heatshield - Modification - 2017-19MY V6 3.0L S/C Petrol	44.90.89.41	0.4	01	LR073535
Transmission heatshield - Modification - V8 5.0L S/C Petrol	44.90.89.41	0.5	01	LR073535

NOTE:

Normal Warranty procedures apply.

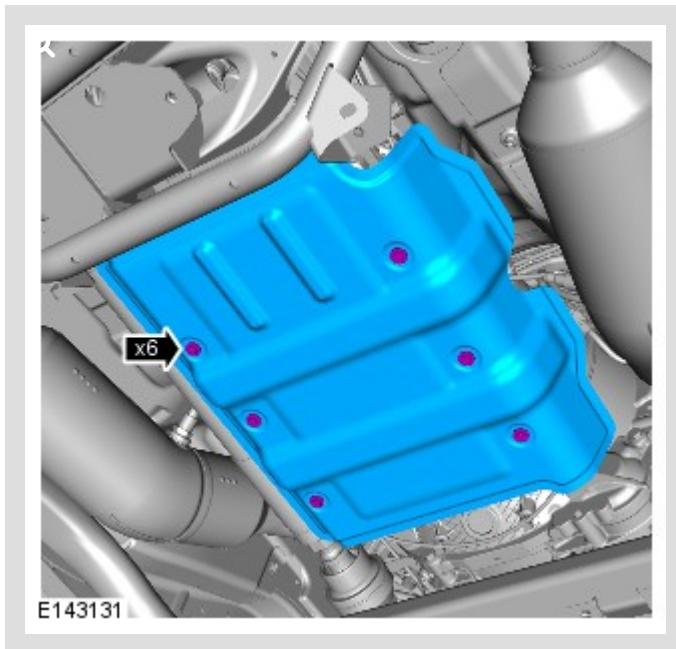
WORKSHOP PROCEDURE:

- 1 Raise and support the vehicle (see TOPIx Workshop Manual section 100-02: Jacking and lifting - Lifting).

2

Remove the transmission undershield.

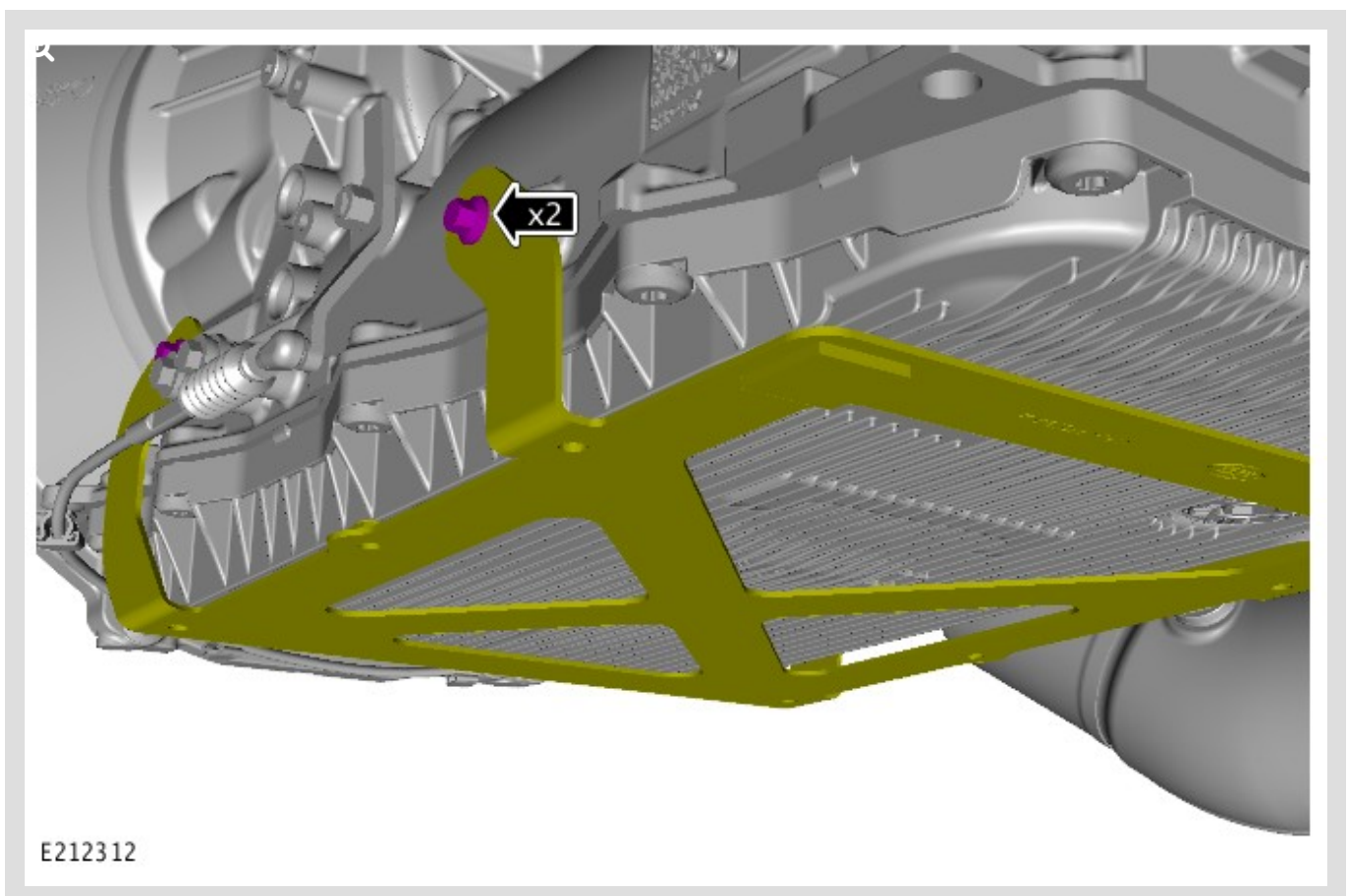
3



Remove the transmission heatshield retaining bolt(s).

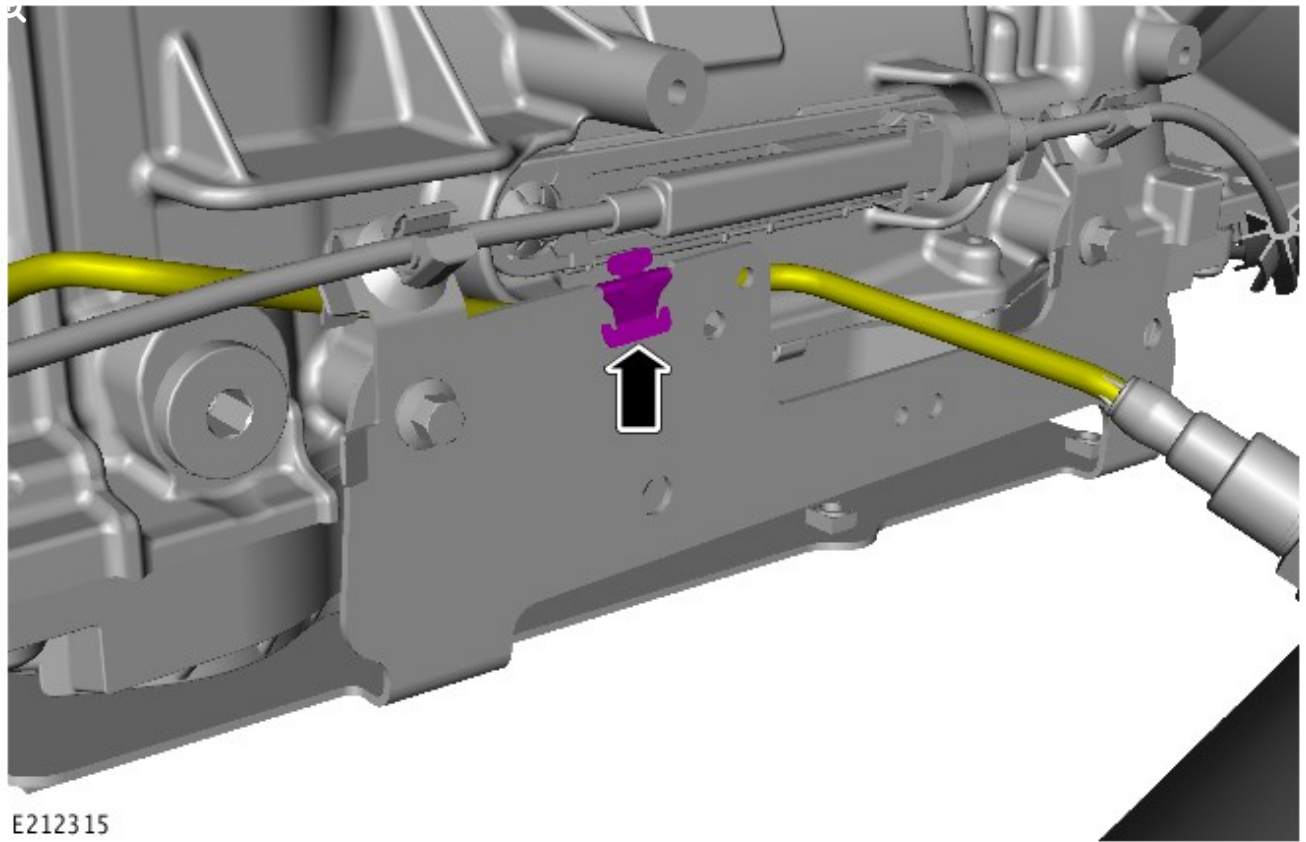
- Retain 2 of the bolt(s); discard the remaining 4 bolt(s).
- Remove and discard the transmission heatshield.

4



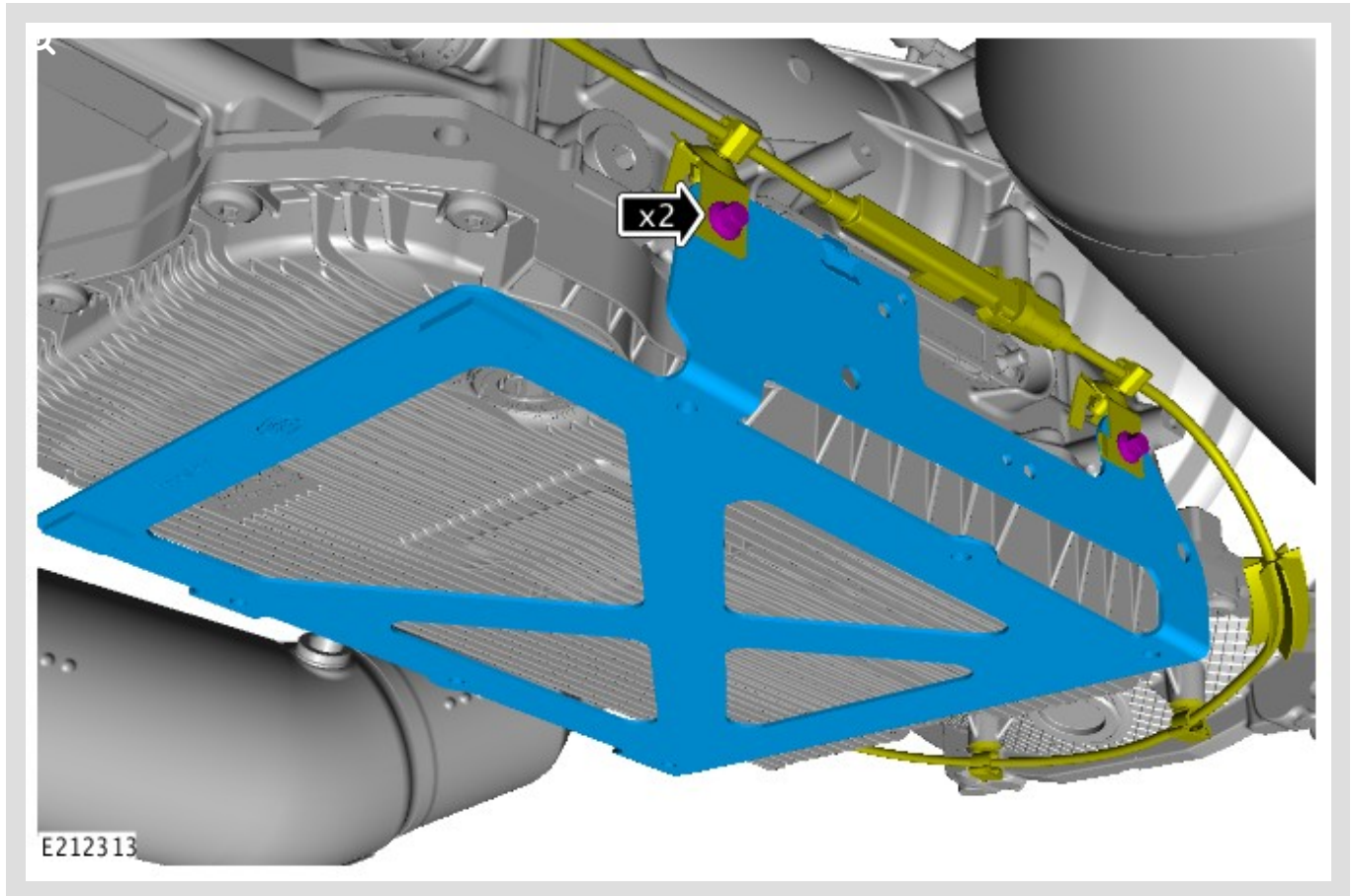
Remove the 2 transmission heatshield mounting bracket retaining bolt(s).

5



Release the Heated Oxygen Sensor (HO2S) electrical wiring harness from the retaining clip(s).

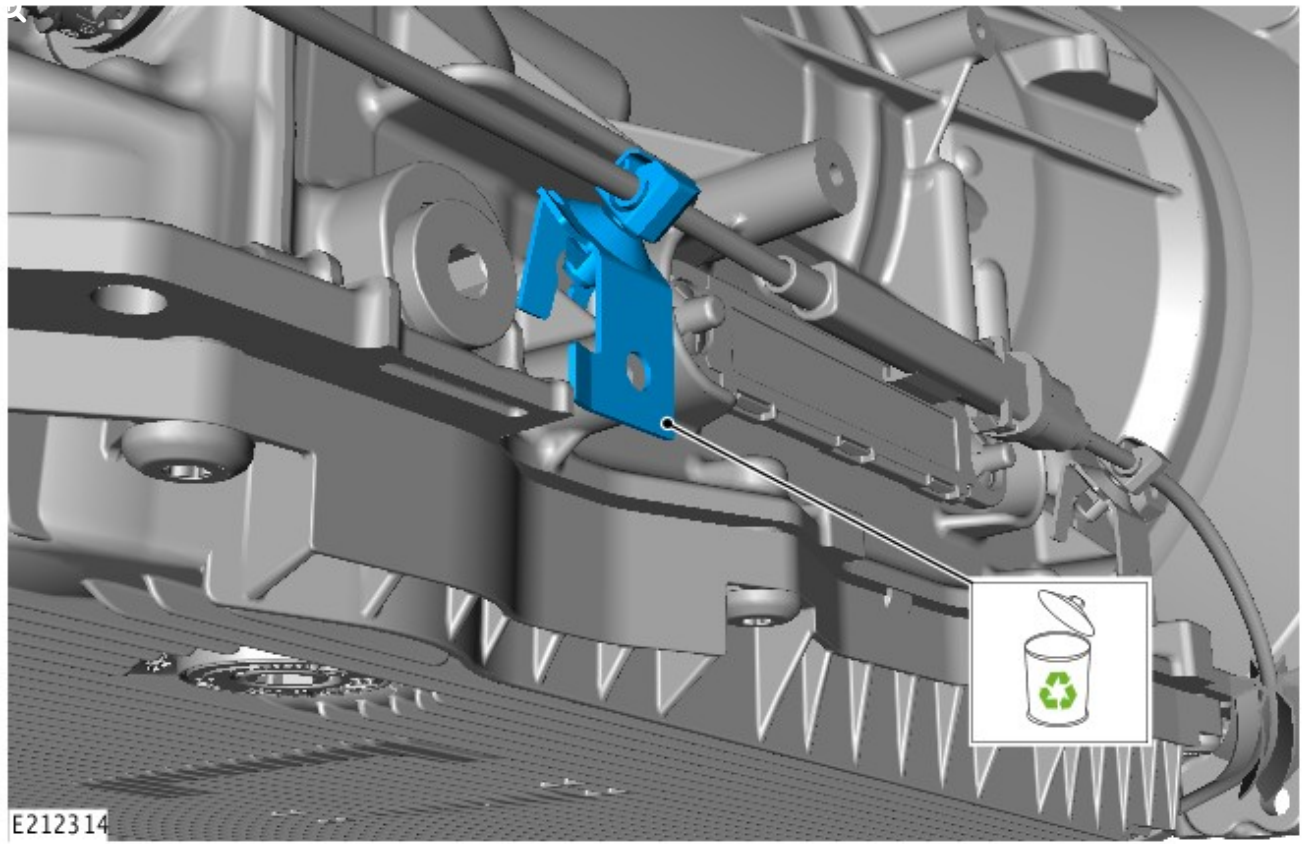
- 1 All 2017-19MY vehicles with V6 3.0L S/C Petrol; 2018-19MY vehicles with V8 5.0L S/C Petrol:** after all tasks are finished, go to Step 13.
- 2 All except 2017-19MY vehicles with V6 3.0L S/C Petrol; 2018-19MY vehicles with V8 5.0L S/C Petrol:** after all tasks are finished, go to Step 6.



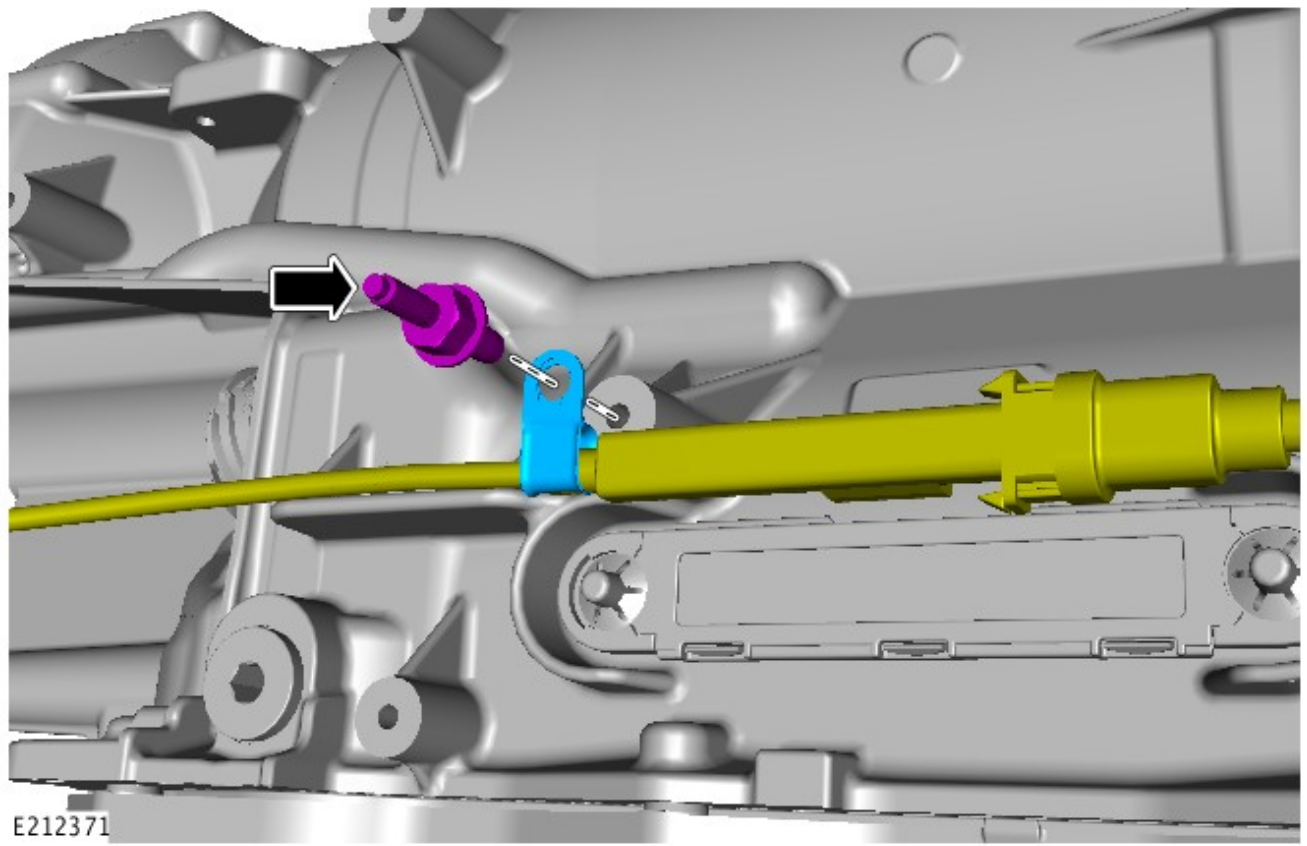
Remove the transmission heatshield mounting bracket retaining bolt(s).

- Position the EPB (Electric Park Brake) cable to the side.
- Remove and discard the transmission heatshield mounting bracket.

7

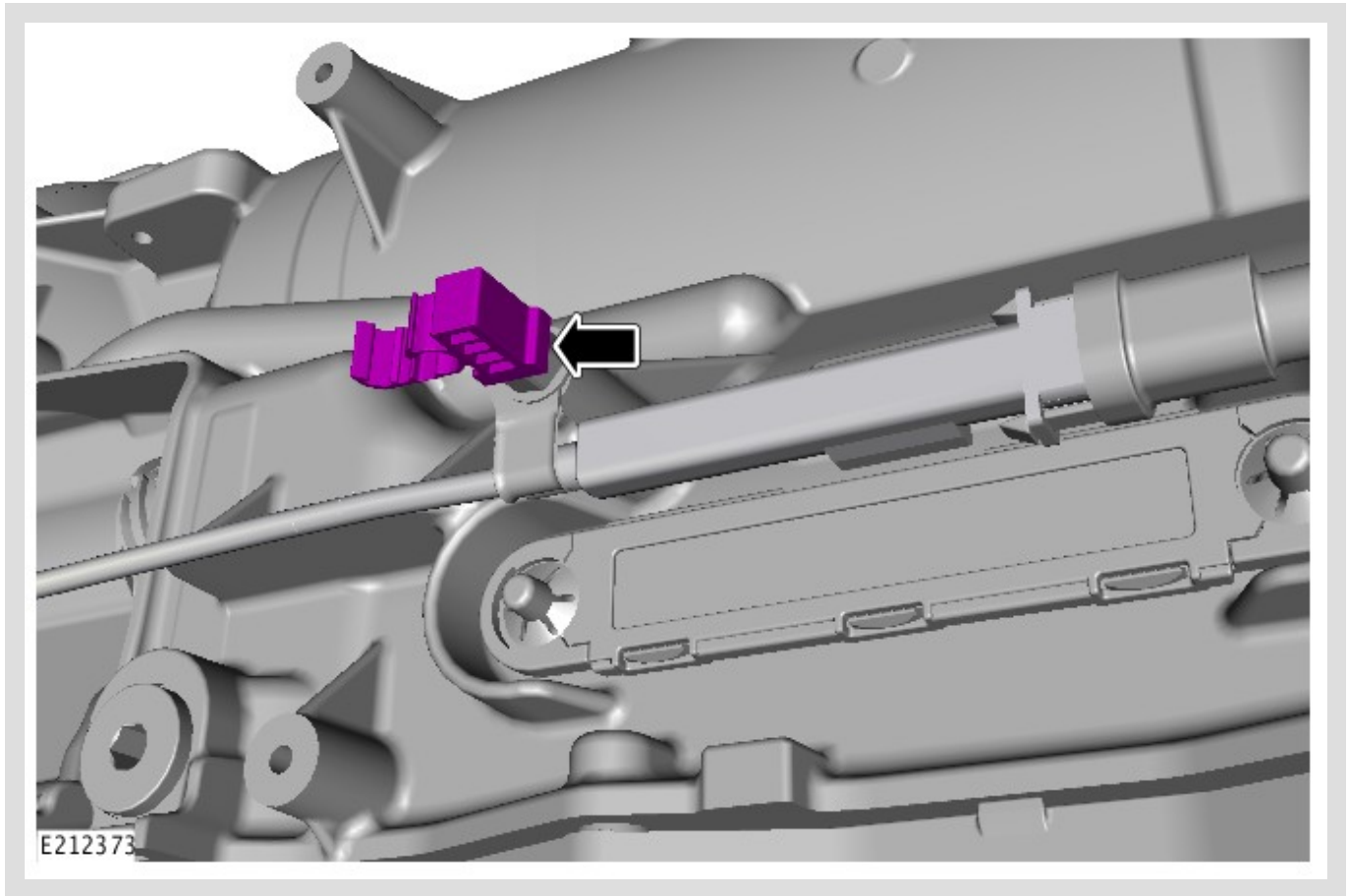


Remove and discard the EPB cable rear mounting bracket.



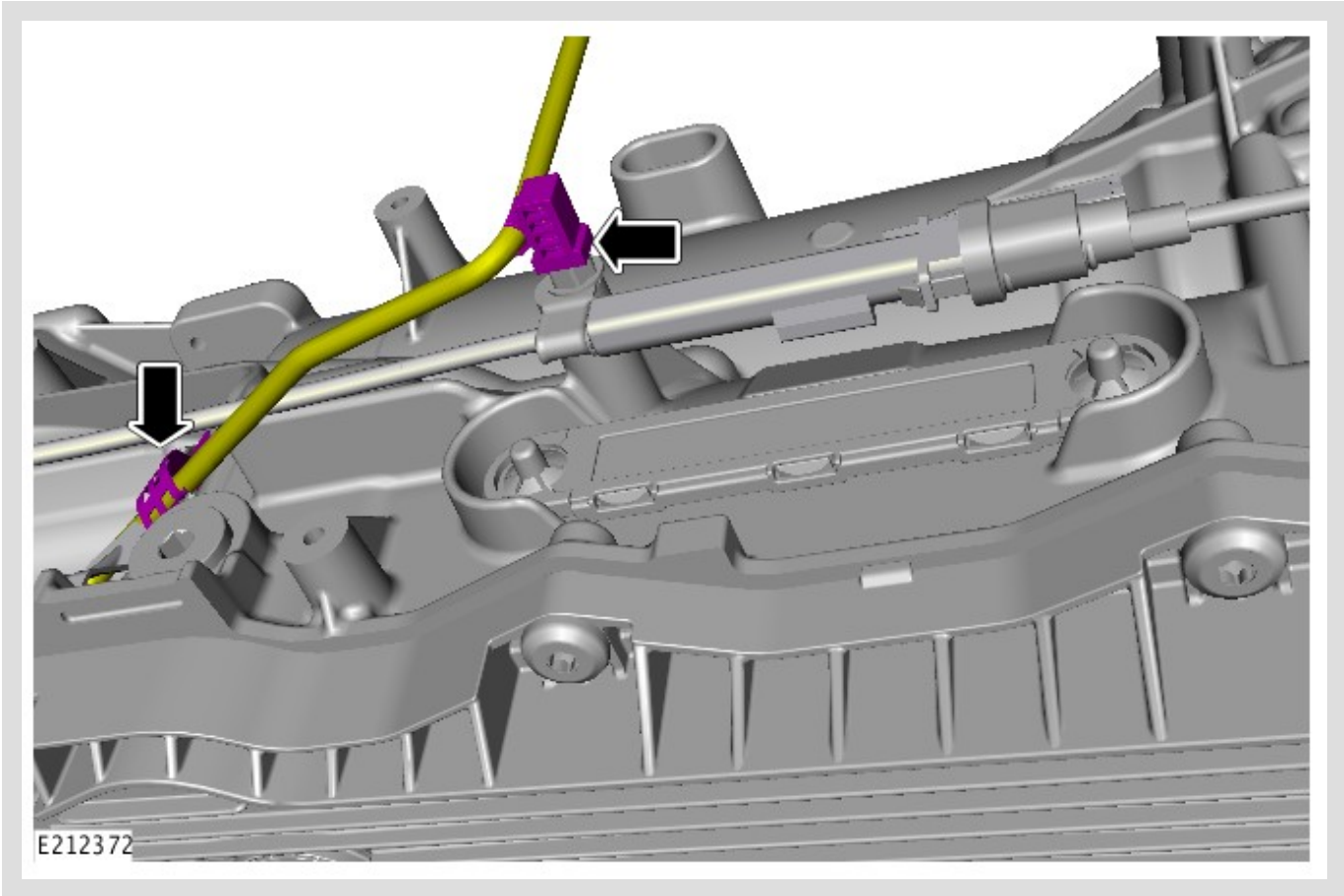
Install the EPB cable.

- Torque: **9 Nm**

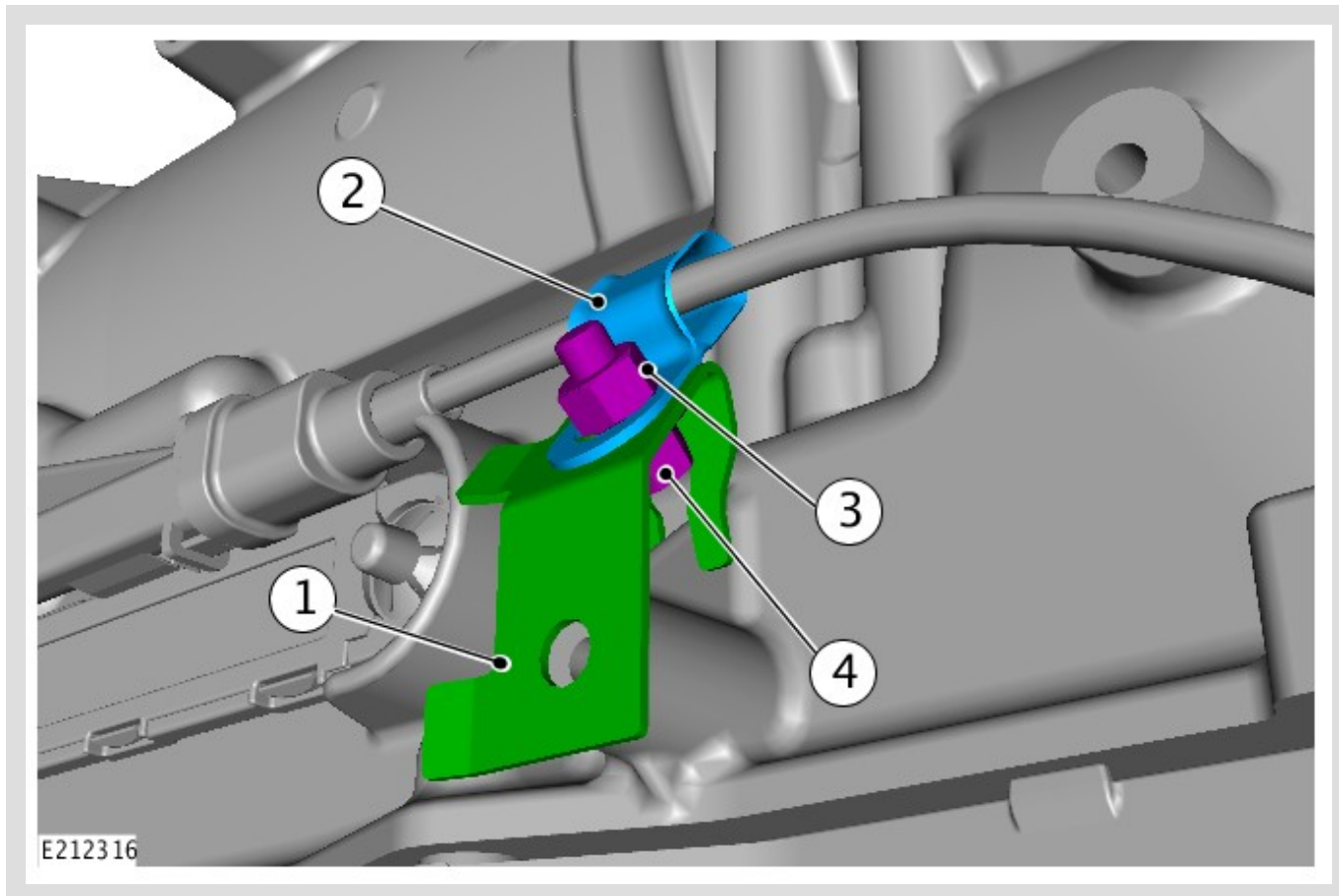


Install the HO2S electrical wiring harness retaining clip(s).

10



Install the HO2S electrical wiring harness.

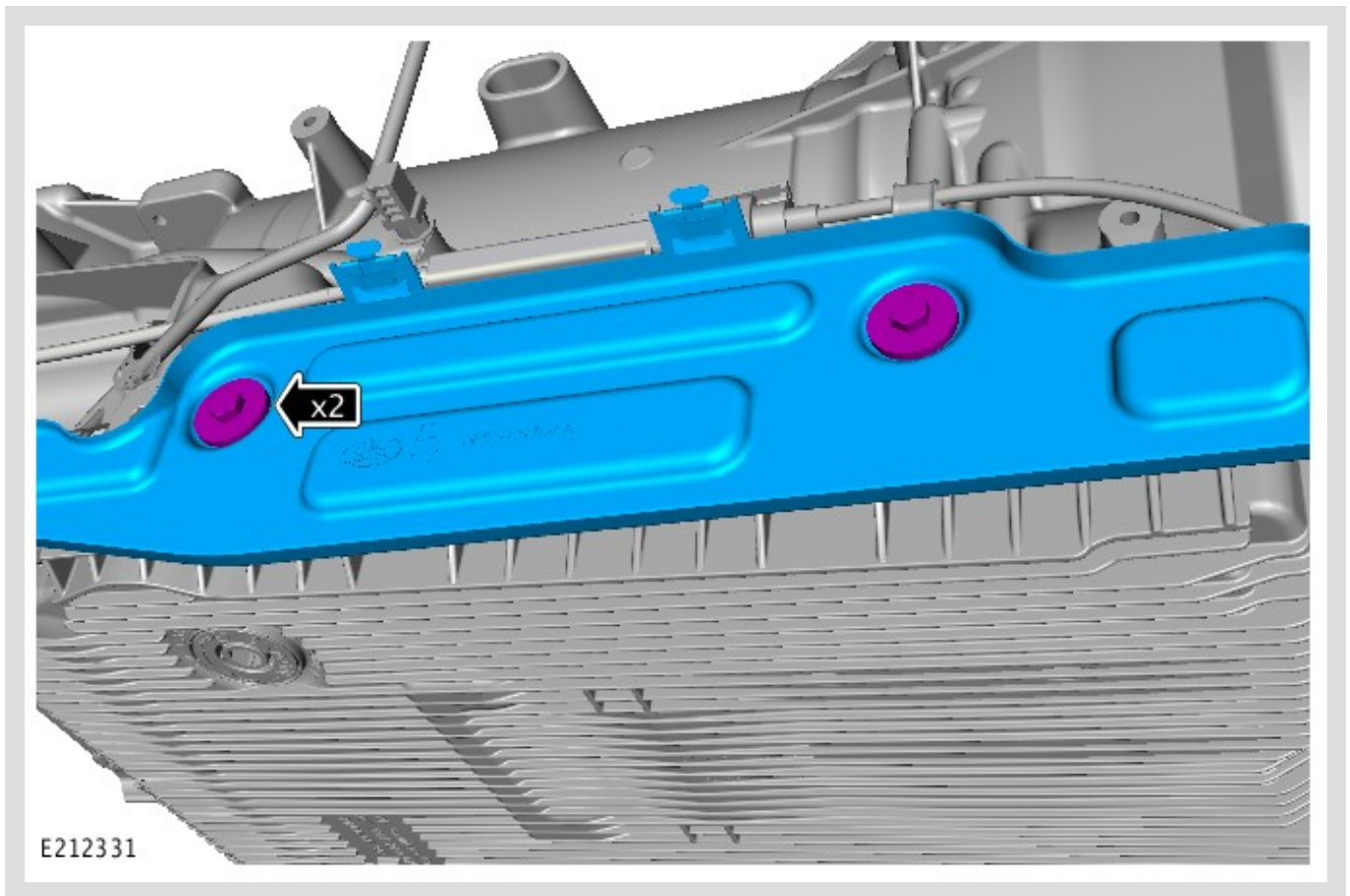


Install the EPB cable mounting bracket as shown:

- 1 Mounting bracket
 - 2 P-clip
 - 3 M6 nut(s)
 - 4 M6 bolt(s)
- Torque: **9 Nm**

△ NOTE:

Install the transmission heatshield using the retaining bolt(s) removed in Step 3.



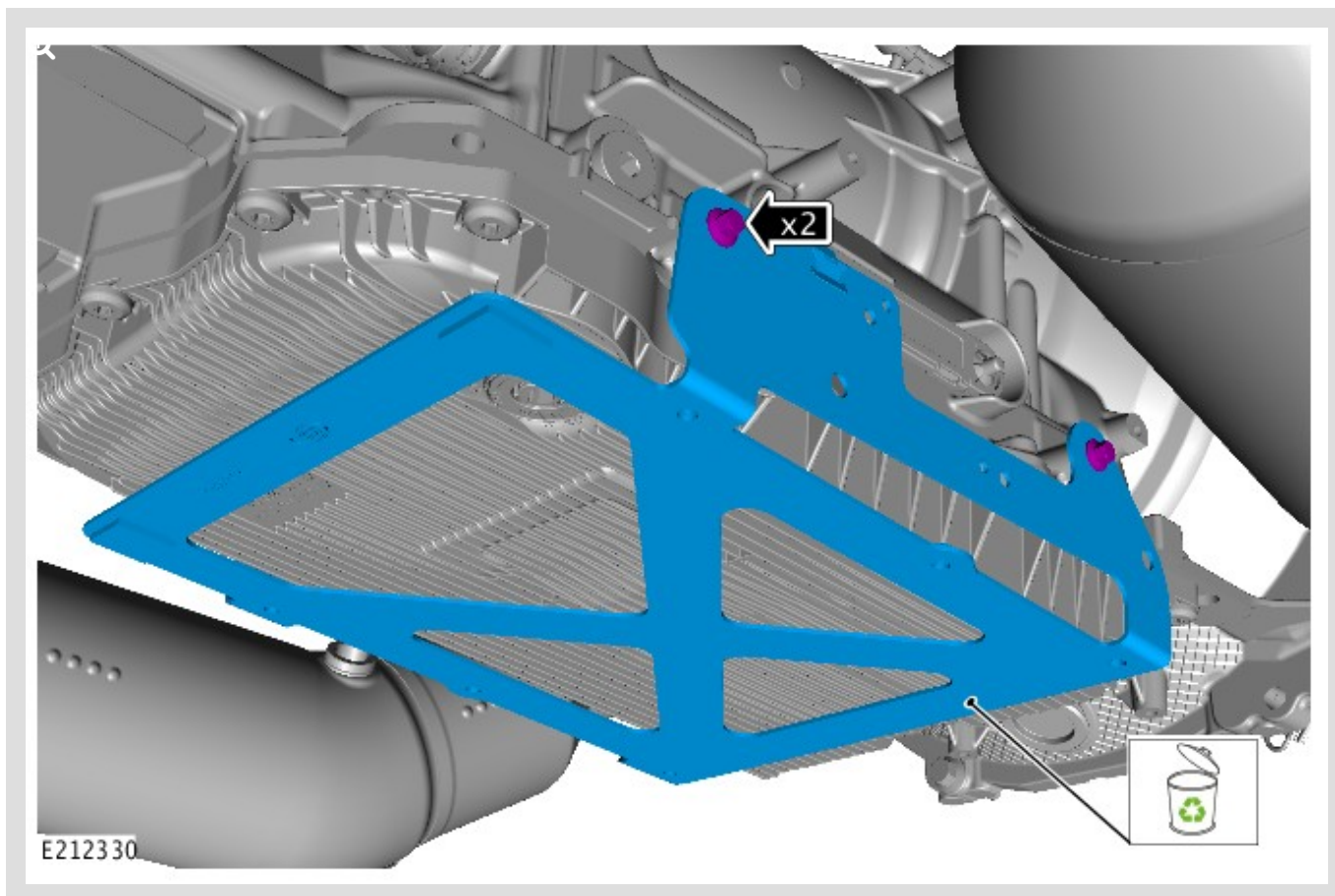
Install the transmission heatshield

- Torque: **9 Nm**

13

△ NOTE:

2017-19MY V6 3.0L S/C Petrol, 2018-19MY V8 5.0L S/C Petrol only.



Remove the transmission heatshield mounting bracket retaining bolt(s).

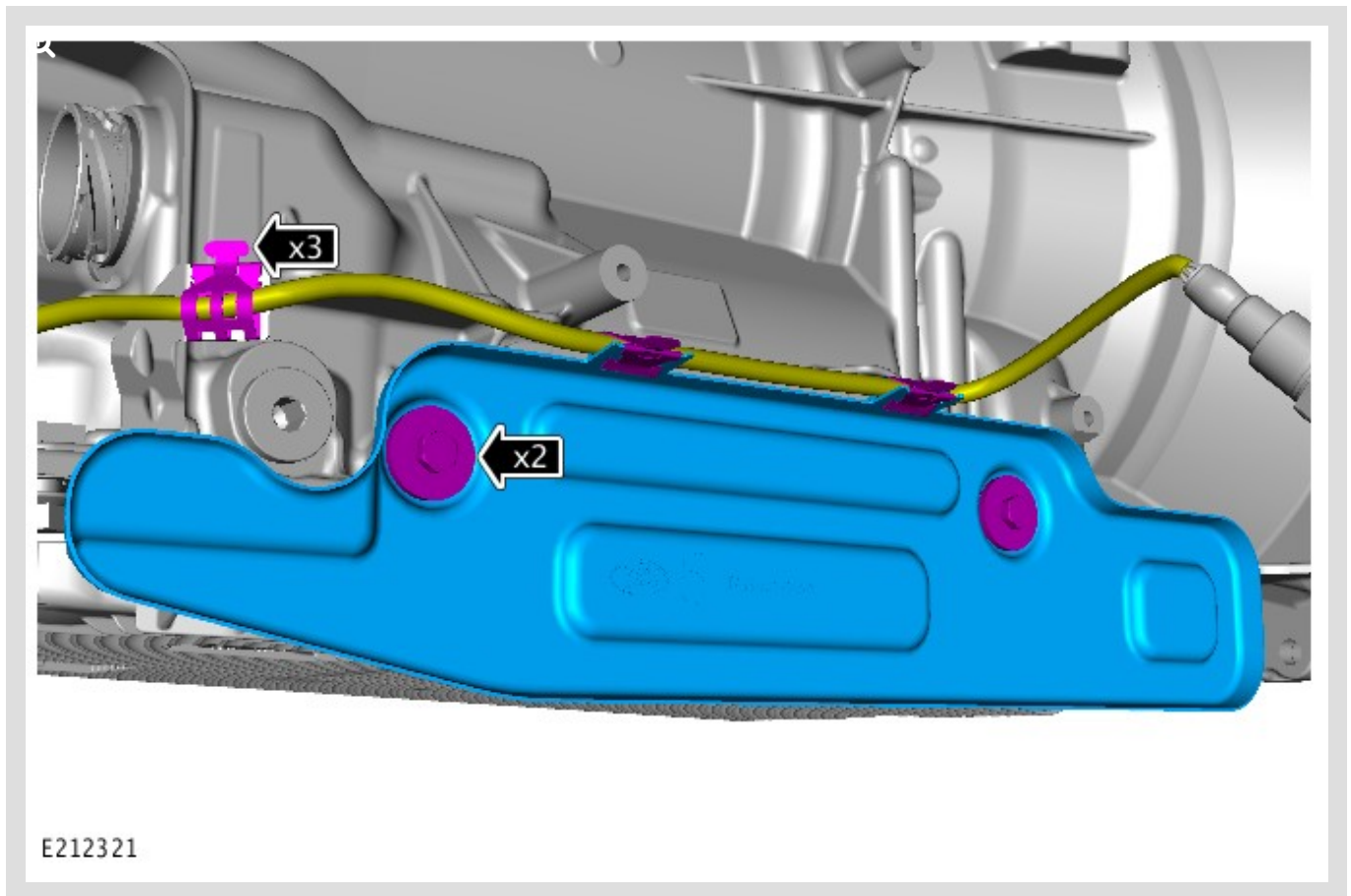
- 1 Remove and discard the transmission heatshield mounting bracket.

14

NOTES:

2017-19MY V6 3.0L S/C Petrol, 2018-19MY V8 5.0L S/C Petrol only.

- Install the transmission heatshield using the 2 bolt(s) retained in Step 3.

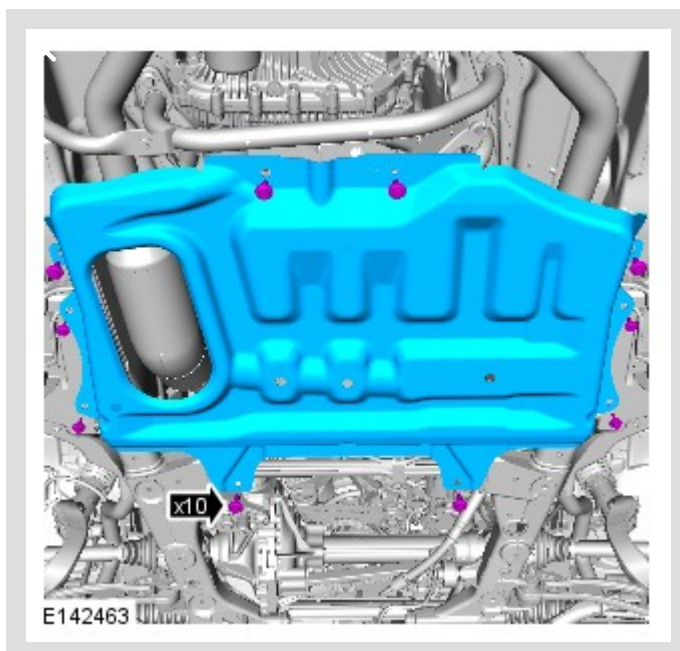


Install the transmission heatshield.

1 Install the HO2S electrical wiring harness.

- Torque: **9 Nm**

15



Install the transmission undershield.

- Torque:
 - M10: **60 Nm**
 - M6: **10 Nm**

16 Lower the vehicle (see TOPIx Workshop Manual section 100-02: Jacking and lifting - Lifting).