

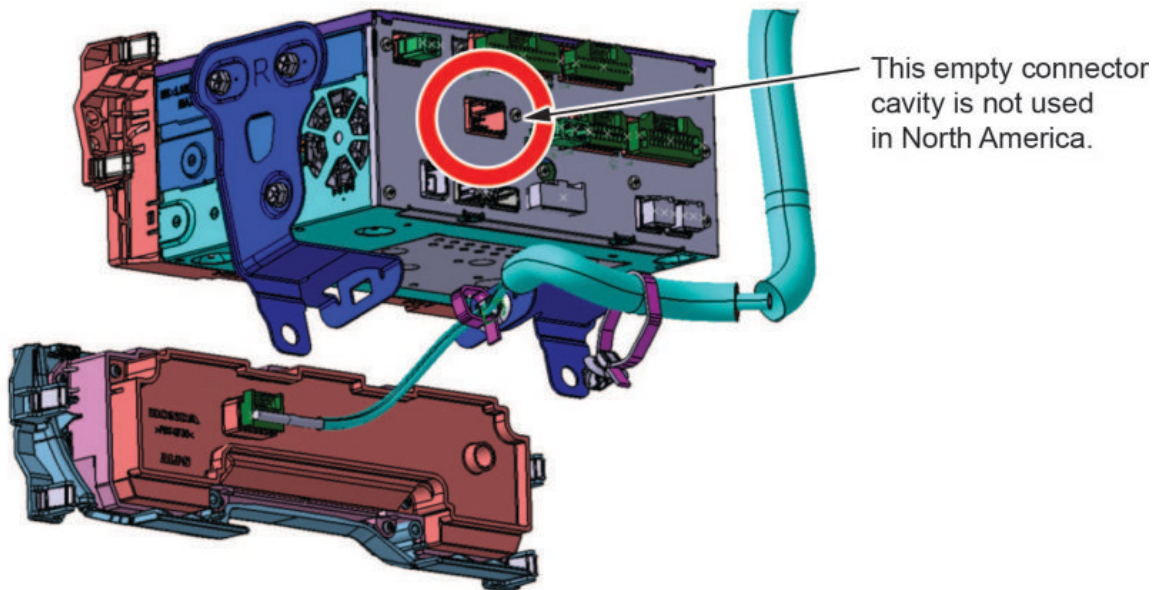
## Never Plug into the Audio Unit's/Audio-Navigation Unit's Empty 12-Pin Connector Cavity!

### AFFECTED VEHICLES

Year	Model	Trim
2016-19	Civic	ALL with Display Audio

**EDITOR'S NOTE:** This article replaces "Before Installing the Accessory Ambient Lighting Kit . . . Read This!," posted in April 2016.

The 12-pin connector cavity in the back of the audio unit/audio-navigation unit is intentionally empty. It's used as a service port for other markets, so **never** try plugging into it.



Keep that in mind if you're working on the audio unit/audio-navigation unit, working on the climate control panel, installing the accessory Ambient Lighting Kit, or working on a vehicle with that kit installed.

Although the 12-pin connector for the panel and the kit's ambient light harness fit right into that empty cavity, plugging them in will damage the dimming circuit in the gauge control module, causing a loss of the shift indicators and other switch backlighting. Furthermore, these symptoms may not appear until **after** the vehicle is returned to your customer, so you could end up with a comeback.

The only way to fix this issue is to replace the gauge control module.