

FLA COE  
 FLB COE  
 FLD Conventional  
 Business Class  
 FLC 112 Conventional

> Century Class Conventional  
 > Argosy COE  
 > Cargo  
 > Columbia  
 > Coronado

> Business Class M2  
 > Cascadia  
 > 108SD/114SD  
 > New Cascadia

**Description of Revisions:** *This bulletin replaces the version dated March 2012. Table 18 has been added.*

## General Information

Daimler Trucks North America uses many different types of cable ties and mounting devices. It is important to use the correct part for each application. Refer to the following tables for cable-tie information.

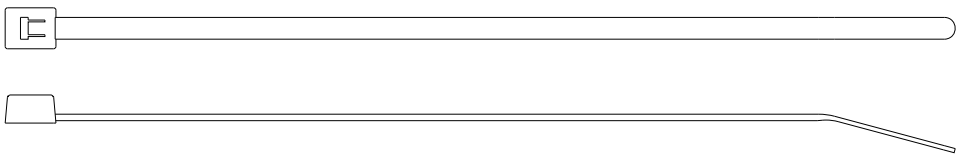
| Tie, Cable   |                       |        |        |           |
|--|-----------------------|--------|--------|-----------|
|  |                       |        |        |           |
| 04/09/2012 <span style="float: right;">f230094</span>                              |                       |        |        |           |
| DTNA Part Number   | Cable Bundle Diameter | Length | Width  | Thickness |
| 23-09796-309   | 0-1.75"               | 8"     | 0.190" | 0.052"    |
| 23-09796-509   | 0-4"                  | 14.75" | 0.190" | 0.052"    |
| 23-09796-809   | 0-11"                 | 36.25" | 0.350" | 0.078"    |

Table 1, Tie, Cable

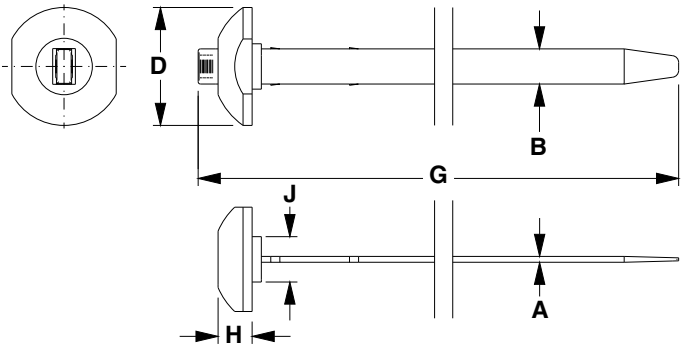
| Tie, Cable   |                       |       |       |        |         |       |      |                     |
|--|-----------------------|-------|-------|--------|---------|-------|------|---------------------|
|  |                       |       |       |        |         |       |      |                     |
| 04/09/2012 <span style="float: right;">f230095</span>                                |                       |       |       |        |         |       |      |                     |
| DTNA Part Number   | Cable Bundle Diameter | A     | B     | D      | G       | H     | J    | Panel Hole Diameter |
| 23-12069-001   | 6.4-110mm             | 1.3mm | 7.6mm | 25.4mm | 381.5mm | 7.5mm | 10mm | 10-20.83mm          |

Table 2, Tie, Cable

## Freightliner Parts Technical Bulletin

FLA COE  
FLB COE  
FLD Conventional  
Business Class  
FLC 112 Conventional

> Century Class Conventional  
> Argosy COE  
Cargo  
> Columbia  
> Coronado

> Business Class M2  
> Cascadia  
> 108SD/114SD  
> New Cascadia

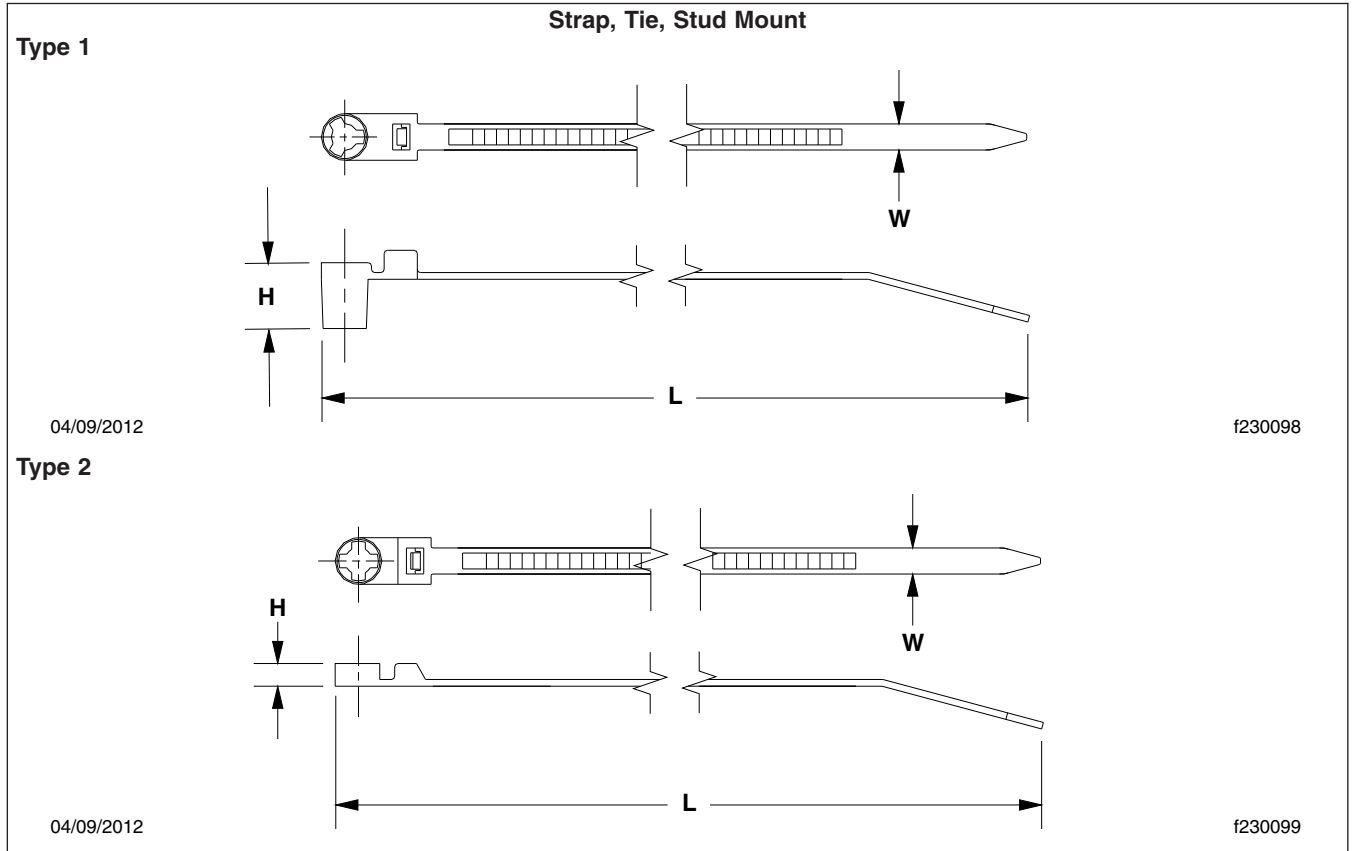
| Tie, Cable  |                       |      |        |       |        |
|---|-----------------------|------|--------|-------|--------|
| <p><b>Type 1</b></p> <p>04/09/2012 <span style="float: right;">f230096</span></p> |                       |      |        |       |        |
| <p><b>Type 2</b></p> <p>04/09/2012 <span style="float: right;">f230097</span></p> |                       |      |        |       |        |
| DTNA Part Number  | Cable Bundle Diameter | A    | B      | C     | D      |
| 23-12069-002  | 0-4.0"                | 1.0" | 0.062" | 10.2" | 0.275" |
| 23-12069-003  | 0-4.0"                | 1.0" | 0.062" | 27.8" | 0.248" |
| 23-12069-004  | 0-4.0"                | 1.0" | 0.062" | 14.8" | 0.248" |
| 23-12069-005  | 0-4.0"                | 1.0" | 0.062" | 15.0" | 0.248" |

**Table 3, Tie, Cable**

FLA COE  
 FLB COE  
 FLD Conventional  
 Business Class  
 FLC 112 Conventional

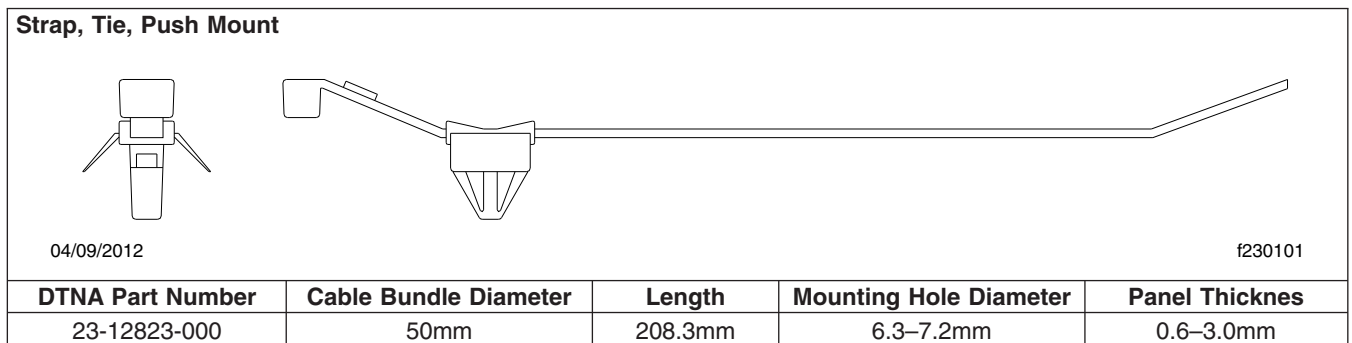
> Century Class Conventional  
 > Argosy COE  
 Cargo  
 > Columbia  
 > Coronado

> Business Class M2  
 > Cascadia  
 > 108SD/114SD  
 > New Cascadia



| Type | DTNA Part Number | Cable Bundle Diameter | Mounting Hole Diameter | Length | Height  | Width  |
|------|------------------|-----------------------|------------------------|--------|---------|--------|
| 1    | 23-12115-001     | 101.6mm               | 1/4" Screw             | 407mm  | 19.35mm | 7.67mm |
| 2    | 23-12115-201     | 102.0                 | 1/4" Stud              | 389mm  | 6.70mm  | 7.60mm |

**Table 4, Strap, Tie, Stud Mount**



**Table 5, Strap, Tie, Push Mount**

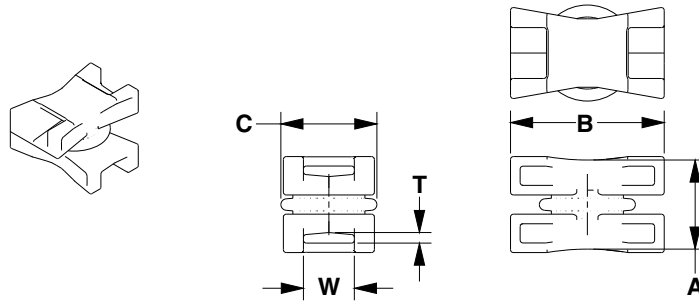
## Freightliner Parts Technical Bulletin

FLA COE  
FLB COE  
FLD Conventional  
Business Class  
FLC 112 Conventional

> Century Class Conventional  
> Argosy COE  
Cargo  
> Columbia  
> Coronado

> Business Class M2  
> Cascadia  
> 108SD/114SD  
> New Cascadia

### Mount, Dual Swivel, Saddle



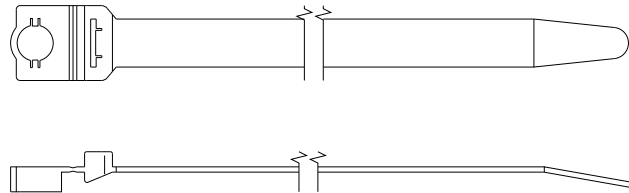
04/09/2012

f230102

| DTNA Part Number | Cable Bundle Diameter | A      | B      | C      | W      | T     |
|------------------|-----------------------|--------|--------|--------|--------|-------|
| 23-12886-000     | 152.4mm               | 23.6mm | 40.6mm | 25.4mm | 13.2mm | 2.3mm |
| 23-12886-001     | 76.2mm                | 18.0mm | 20.3mm | 23.6mm | 13.2mm | 2.3mm |

Table 6, Mount, Dual Swivel, Saddle

### Strap, Tie, Stud Mount



04/09/2012

f230103

| DTNA Part Number | Cable Bundle Diameter | Mounting Stud Diameter | Length | Height | Width |
|------------------|-----------------------|------------------------|--------|--------|-------|
| 23-13279-000     | 4.125"                | 3/8"                   | 15.7"  | 0.26"  | 0.50" |
| 23-13279-008     | 4.125"                | 5/16"                  | 15.7"  | 0.26"  | 0.50" |
| 23-13279-001     | 4.125"                | 1/4"                   | 15.7"  | 0.26"  | 0.50" |

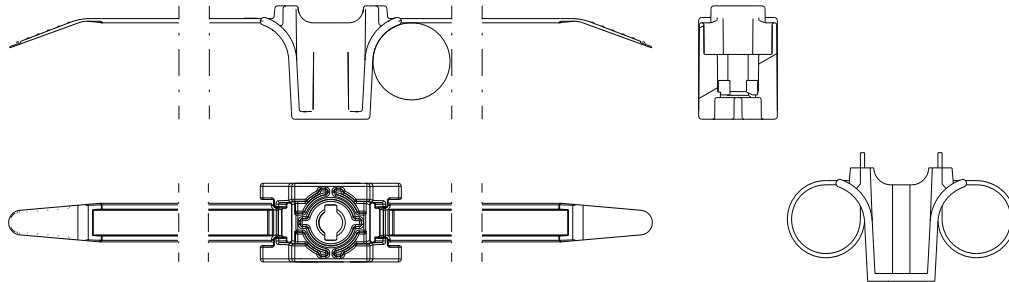
Table 7, Strap, Tie, Stud Mount

FLA COE  
 FLB COE  
 FLD Conventional  
 Business Class  
 FLC 112 Conventional

> Century Class Conventional  
 > Argosy COE  
 > Cargo  
 > Columbia  
 > Coronado

> Business Class M2  
 > Cascadia  
 > 108SD/114SD  
 > New Cascadia

### Strap, Tie, Dual, Thread Stud Mount



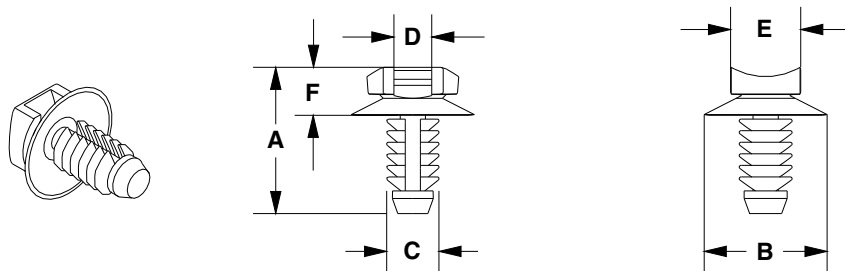
04/09/2012

f230104

| DTNA Part Number | Length | Minimum Stud Diameter | Cable Bundle Diameter | Thickness | Width   |
|------------------|--------|-----------------------|-----------------------|-----------|---------|
| 23-13322-008     | 511mm  | 8mm                   | 58.4mm                | 1.4mm     | 25.91mm |

Table 8, Strap, Tie, Dual, Thread Stud Mount

### Mount, Fir Tree, Cable Tie, TYC, FT (X)



04/09/2012

f230105

| DTNA Part Number | Mounting Hole Diameter | Panel Thickness | A       | B      | C      | D      | E      | F      |
|------------------|------------------------|-----------------|---------|--------|--------|--------|--------|--------|
| 23-13335-000     | 4.5–5.0mm              | 0.7–3.0mm       | 13.2mm  | 16.0mm | 5.9mm  | 5mm    | 9.0mm  | 6.3mm  |
| 23-13335-001     | 6.5–7.0mm              | 0.75–3.0mm      | 13.87mm | 16.0mm | 7.9mm  | 5mm    | 9.0mm  | 6.3mm  |
| 23-13335-002     | 6.5–7.0mm              | 0.8–7.0mm       | 19.0mm  | 16.0mm | 7.47mm | 5mm    | 9.0mm  | 6.3mm  |
| 23-13335-003     | 7.8–8.0mm              | 0.8–6.0mm       | 17.8mm  | 16.0mm | 7.47mm | 9mm    | 12.0mm | 6.3mm  |
| 23-13335-004     | 8.75–9.25mm            | 1.0–6.5mm       | 19.1mm  | 21.5mm | 10.0mm | 13.2mm | 20.3mm | 10.1mm |
| 23-13335-005     | 8.75–9.25mm            | 1.0–15.8mm      | 28.5mm  | 21.5mm | 10.0mm | 13.2mm | 20.3mm | 10.1mm |
| 23-13335-006     | 9.7–10.0mm             | 0.8–5.0mm       | 18.6mm  | 18.0mm | 11.0mm | 4.6mm  | 9.0mm  | 6.5mm  |

Table 9, Mount, Fir Tree, Cable Tie, TYC, FT (X)

## Freightliner Parts Technical Bulletin

FLA COE  
FLB COE  
FLD Conventional  
Business Class  
FLC 112 Conventional

> Century Class Conventional  
> Argosy COE  
Cargo  
> Columbia  
> Coronado

> Business Class M2  
> Cascadia  
> 108SD/114SD  
> New Cascadia

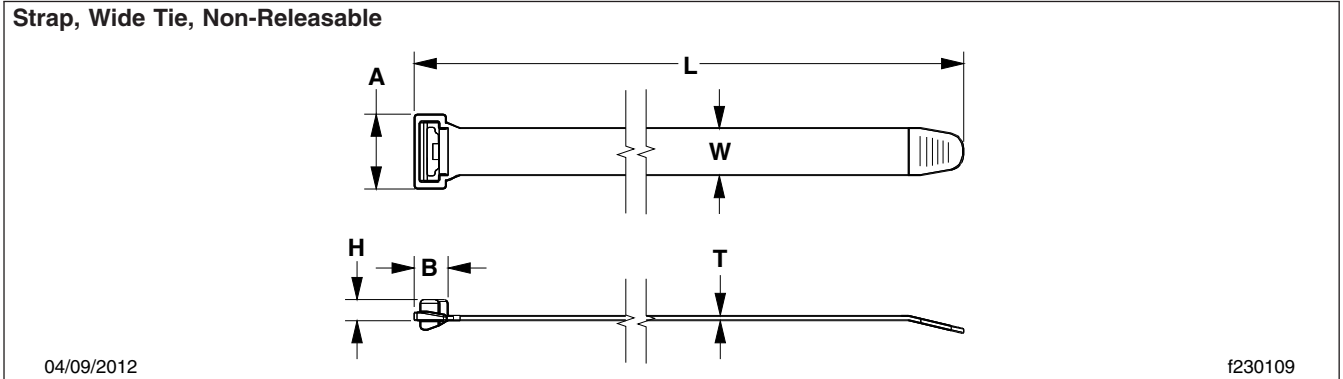
| Clip, Retainer, Wiring Connector, Fir Tree  |                  |                        |                             |           |           |         |        |        |        |
|---|------------------|------------------------|-----------------------------|-----------|-----------|---------|--------|--------|--------|
| <p><b>Type A</b></p> <p>04/09/2012 <span style="float: right;">f230106</span></p> |                  |                        |                             |           |           |         |        |        |        |
| <p><b>Type B</b></p> <p>04/09/2012 <span style="float: right;">f230107</span></p> |                  |                        |                             |           |           |         |        |        |        |
| <p><b>Type C</b></p> <p>04/09/2012 <span style="float: right;">f230108</span></p> |                  |                        |                             |           |           |         |        |        |        |
| Type  | DTNA Part Number | Mounting Hole Diameter | Mounting Material Thickness | A         | B         | C       | T      | H      | D      |
| A   | 23-13431-000     | 6.4–6.5mm              | 0.56–5.0mm                  | 36–36.8mm | 18–18.4mm | 0       | 7.7mm  | 13.8mm | 9.7mm  |
| A   | 23-13431-001     | 9.3–9.5mm              | 0.7–11.7mm                  | 57mm      | 28.5mm    | 0       | 10.9mm | 28.1mm | 11.0mm |
| B   | 23-13431-002     | 6.2–6.8mm              | 0.56–3.81mm                 | 50–60mm   | 25–30mm   | 24–32mm | 7.7mm  | 22mm   | N/A    |
| C   | 23-13431-003     | 6.3–7.0mm              | 0.8–4.5mm                   | 42mm      | 21mm      | 30mm    | 7.5mm  | 13.1mm | N/A    |
| C   | 23-13431-004     | 6.5–7.0mm              | 0.7–5.1mm                   | 55mm      | 27.5mm    | 13mm    | 7.9mm  | 12.5mm | N/A    |

Table 10, Clip - Retainer, Wiring Connector, Fir Tree

FLA COE  
 FLB COE  
 FLD Conventional  
 Business Class  
 FLC 112 Conventional

> Century Class Conventional  
 > Argosy COE  
 Cargo  
 > Columbia  
 > Coronado

> Business Class M2  
 > Cascadia  
 > 108SD/114SD  
 > New Cascadia



| DTNA Part Number | Cable Bundle Diameter | A      | B      | W      | H     | T     | L        |
|------------------|-----------------------|--------|--------|--------|-------|-------|----------|
| 23-13476-000     | 104.8mm               | 19.8mm | 10.2mm | 12.7mm | 5.6mm | 1.4mm | 383.54mm |

**Table 11, Strap, Wide Tie, Non-Releaseable**

## Freightliner Parts Technical Bulletin

FLA COE  
FLB COE  
FLD Conventional  
Business Class  
FLC 112 Conventional

> Century Class Conventional  
> Argosy COE  
Cargo  
> Columbia  
> Coronado

> Business Class M2  
> Cascadia  
> 108SD/114SD  
> New Cascadia

| Type | DTNA Part Number | Clip, W | Clip, H | Tie Strap, T | Tie Strap, L | Tie Strap, W | Bundle Diameter |
|------|------------------|---------|---------|--------------|--------------|--------------|-----------------|
| A    | 23-13477-000     | 11.0mm  | 17.75mm | 13.0mm       | 200mm        | 4.6mm        | 1.0–45.0mm      |
| B    | 23-13477-100     | 15.0mm  | 17.75mm | 13.0mm       | 200mm        | 4.6mm        | 4.0–45.0mm      |
| A    | 23-13477-200     | 14.0mm  | 17.8mm  | 13.0mm       | 200mm        | 4.6mm        | 1.0–45.0mm      |
| B    | 23-13477-302     | 14.8mm  | 17.8mm  | 10.0mm       | 100mm        | 2.5mm        | 1.0–20.0mm      |
| B    | 23-13477-300     | 14.8mm  | 17.8mm  | 1.3mm        | 200mm        | 4.6mm        | 1.0–45.0mm      |

Table 12, Cable Strap with Clip

FLA COE  
 FLB COE  
 FLD Conventional  
 Business Class  
 FLC 112 Conventional

> Century Class Conventional  
 > Argosy COE  
 > Cargo  
 > Columbia  
 > Coronado

> Business Class M2  
 > Cascadia  
 > 108SD/114SD  
 > New Cascadia

**Cable Strap with Clip**

**Type C**

04/09/2012 f230112

**Type D**

04/09/2012 f230113

| Type | DTNA Part Number | Clip, W | Clip, H | Tie Strap, T | Tie Strap, L | Tie Strap, W | Bundle Diameter |
|------|------------------|---------|---------|--------------|--------------|--------------|-----------------|
| C    | 23-13477-010     | 13.4mm  | 11.8mm  | 13.0mm       | 200mm        | 4.6mm        | 4.0–45.0mm      |
| D    | 23-13477-110     | 15.0mm  | 13.2mm  | 13.0mm       | 200mm        | 4.6mm        | 4.0–45.0mm      |
| C    | 23-13477-210     | 14.6mm  | 16.0mm  | 1.3mm        | 200mm        | 4.6mm        | 1.0–45.0mm      |
| D    | 23-13477-310     | 14.8mm  | 17.3mm  | 1.3mm        | 200mm        | 4.6mm        | 1.0–45.0mm      |

**Table 13, Cable Strap with Clip**

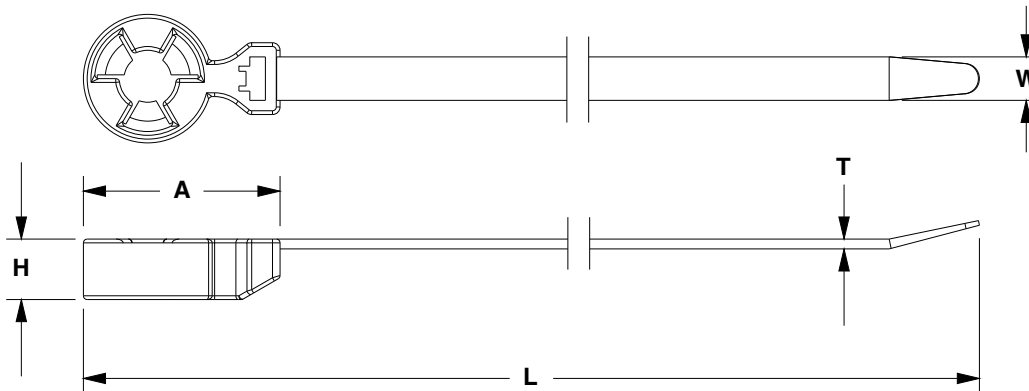
## Freightliner Parts Technical Bulletin

FLA COE  
FLB COE  
FLD Conventional  
Business Class  
FLC 112 Conventional

> Century Class Conventional  
> Argosy COE  
Cargo  
> Columbia  
> Coronado

> Business Class M2  
> Cascadia  
> 108SD/114SD  
> New Cascadia

### Tie, Cable, with Mount Hole



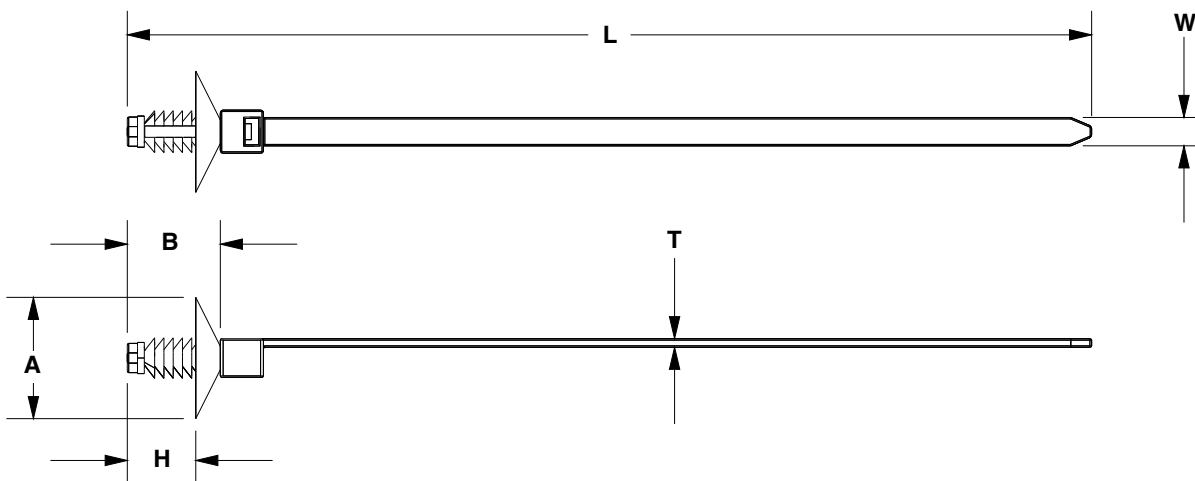
04/09/2012

f230114

| DTNA Part Number | Cable Bundle Diameter | Mounting Hole | A      | H     | L       | T     | W     |
|------------------|-----------------------|---------------|--------|-------|---------|-------|-------|
| 23-13480-000     | 30.0mm                | M8            | 26.0mm | 8.0mm | 175.0mm | 1.3mm | 5.7mm |
| 23-13480-001     | 30.0mm                | M10           | 26.0mm | 8.0mm | 175.0mm | 1.3mm | 5.7mm |

Table 14, Tie - Cable, with Mount Hole

### Strap, Tie, Push on Mount



04/09/2012

f230115

| DTNA Part Number | Bundle Diameter | Panel Hole Diameter | Panel Thickness | A      | H      | W     | T     | L       | B      |
|------------------|-----------------|---------------------|-----------------|--------|--------|-------|-------|---------|--------|
| 23-13481-000     | 31.0mm          | 6.3-7.0mm           | 0.8-7.0mm       | 22.0mm | 12.5mm | 5.0mm | 1.5mm | 170.0mm | 16.4mm |

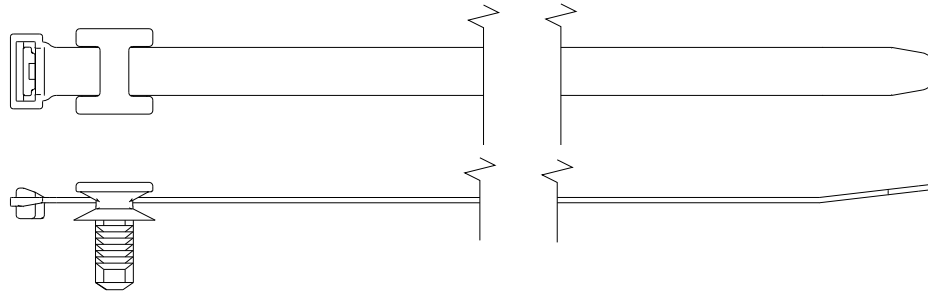
Table 15, Strap, Tie, Push-On Mount

FLA COE  
 FLB COE  
 FLD Conventional  
 Business Class  
 FLC 112 Conventional

> Century Class Conventional  
 > Argosy COE  
 Cargo  
 > Columbia  
 > Coronado

> Business Class M2  
 > Cascadia  
 > 108SD/114SD  
 > New Cascadia

### Tie Strap, Fir Tree



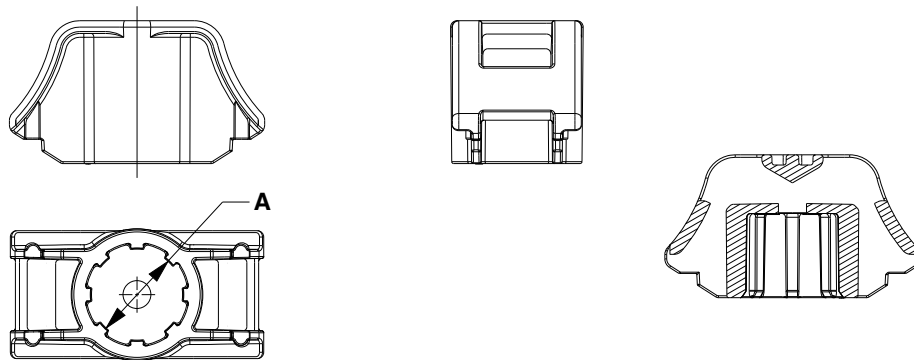
04/09/2012

f230116

| DTNA Part Number | Material Thickness | Mounting Hole Diameter | Bundle Diameter | Length |
|------------------|--------------------|------------------------|-----------------|--------|
| 23-13482-001     | 0.75–3.00mm        | 6.5–7.0mm              | 110mm           | 380mm  |
| 23-13482-002     | 0.80–7.00mm        | 6.5–7.0mm              | 110mm           | 380mm  |
| 23-13482-003     | 0.80–8.00mm        | 7.7–8.0mm              | 110.0mm         | 380mm  |
| 23-13482-004     | 1.00–15.50mm       | 8.75–9.25mm            | 104.8mm         | 381mm  |
| 23-13482-005     | 1.00–15.80mm       | 8.75–9.25mm            | 104.8mm         | 381mm  |
| 23-13482-006     | 0.80–5.00mm        | 9.7–10.0mm             | 110.0mm         | 380mm  |

Table 16, Tie Strap, Fir Tree

### Tie Mount, Threaded Stud



04/09/2012

f230117

| DTNA Part Number | Stud Diameter | A diameter |
|------------------|---------------|------------|
| 23-13805-050     | 1/2"          | 0.500"     |
| 23-13805-062     | 5/8" or M16   | 0.625"     |
| 23-13805-075     | 3/4"          | 0.750"     |

Table 17, Tie Mount, Threaded Stud

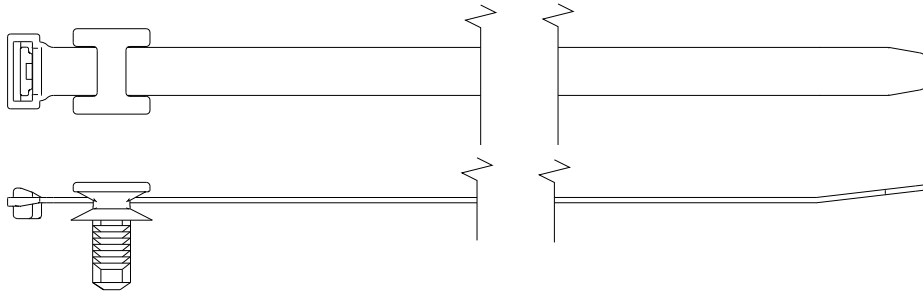
## Freightliner Parts Technical Bulletin

FLA COE  
FLB COE  
FLD Conventional  
Business Class  
FLC 112 Conventional

> Century Class Conventional  
> Argosy COE  
Cargo  
> Columbia  
> Coronado

> Business Class M2  
> Cascadia  
> 108SD/114SD  
> New Cascadia

Tie Strap, Fir Tree



| DTNA Part Number | Material Thickness | Mounting Hole Diameter | Bundle Diameter | Length   |
|------------------|--------------------|------------------------|-----------------|----------|
| 23-14137-000     | 1.0–15.8mm         | 8.75-9.25mm            | 104.8mm         | 383.54mm |
| 23-14137-001     | 1.0–6.5mm          | 8.75-9.25mm            | 104.8mm         | 383.54mm |

Table 18, Tie Strap, Fir Tree

## Parts

Parts are available through the PDC.