



Preliminary Information

PIP5643 MIL Illuminated DTC P0299

Proactive

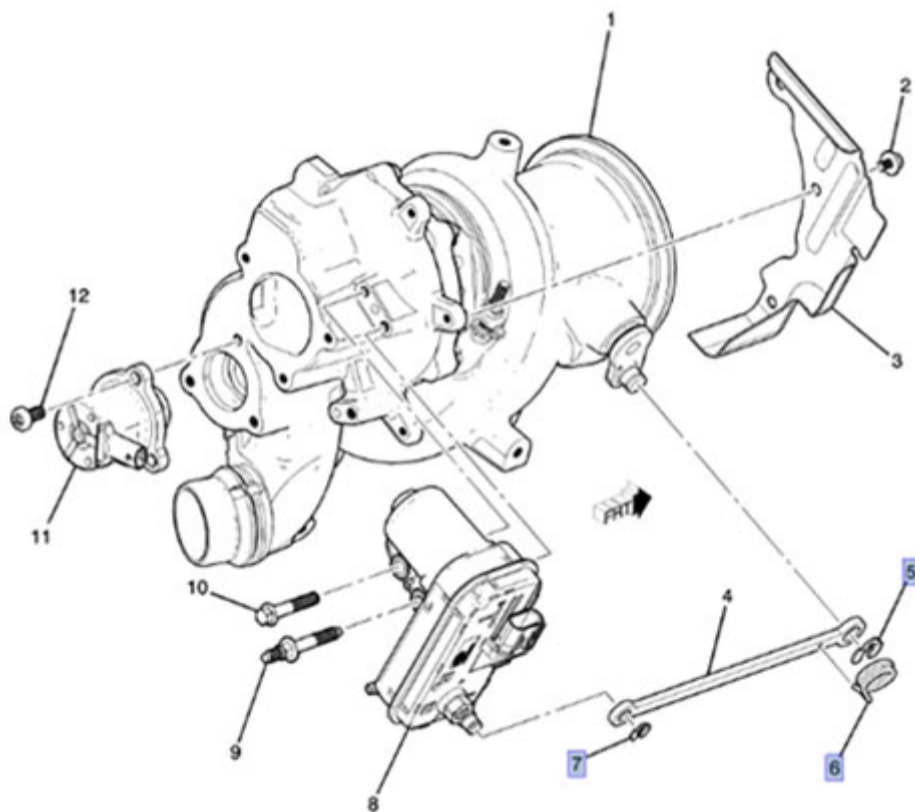
Models

Brand:	Model:	Model Years:	VIN:		Engine:	Transmissions:
			from	to		
Cadillac	XT4	2019	All	All	2.0L LSY	All

Involved Region or Country:	North America and...
Condition:	MIL Illuminated DTC P0299
Cause:	Possible missing turbocharger wastegate lever retaining clip

Correction

If you encounter a vehicle with DTC p0299 inspect the wastegate lever for a possible missing retaining clip at the wastegate actuator or at the wastegate valve causing the lever to become disconnected. The wastegate lever side also has an anti-rattle spring that could be missing. (Call outs 5, 6 and 7 in the illustration below reference the anti-rattle spring and retaining clips.)



If you find a missing wastegate lever retaining clip either at the actuator or wastegate valve. These retaining clips and anti-rattle spring may be available through CCA Parts, if so, then install the missing retaining clip and anti-rattle spring if needed and evaluate.

Note: if the retaining clips or anti-rattle spring are not available turbocharger replacement would be required. Do not attempt to swap the retaining clips from the new turbo to the OE turbo. Install the new turbocharger assembly as the old parts will be requested back for further analysis to determine root cause for missing retaining clip.

Important: Do not attempt to remove the existing retaining clip on the wastegate lever of the original turbo. Please refer to PI0653E for additional warranty part return information.

This PI will be deleted once the root cause analysis for missing retaining clips is completed.

Version History

Version	1
Modified	04/29/2019 - Created on.



© 2019 General Motors. All Rights Reserved.