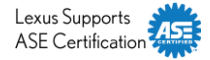


2020 RC F, RC300, RC350 Pre-Delivery Service (PDS)

Service Category General

Section Pre-Delivery Service

Market USA



Applicability

YEAR(S)	MODEL(S)	ADDITIONAL INFORMATION
2020	RC F, RC300, RC350	

REVISION NOTICE

April 15, 2019 Rev1:

- The Air Dam Installation section was added.

Any previous printed versions of this bulletin should be discarded.

Introduction

This bulletin contains the vehicle specific pre-delivery services for 2020 model year RC F, RC300, and RC350 vehicles. Additionally, refer to the Pre-Delivery Service (PDS) Check Sheet for services to be performed.

Warranty Information

OP CODE	DESCRIPTION	TIME	OFF	T1	T2
N/A	Not Applicable to Warranty	-	-	-	-

Procedures

- D/C Cut Fuse Installation 2
- Emergency Towing Eyelet Removal..... 3
- Emergency Towing Eyelet Hole Cover Installation 5
- Front Wheel Opening Extension Pad Installation 6
- Front License Plate and Mounting Bracket Installation 7
- Air Dam Installation (RC F Track Edition/Performance Package Only)..... 10

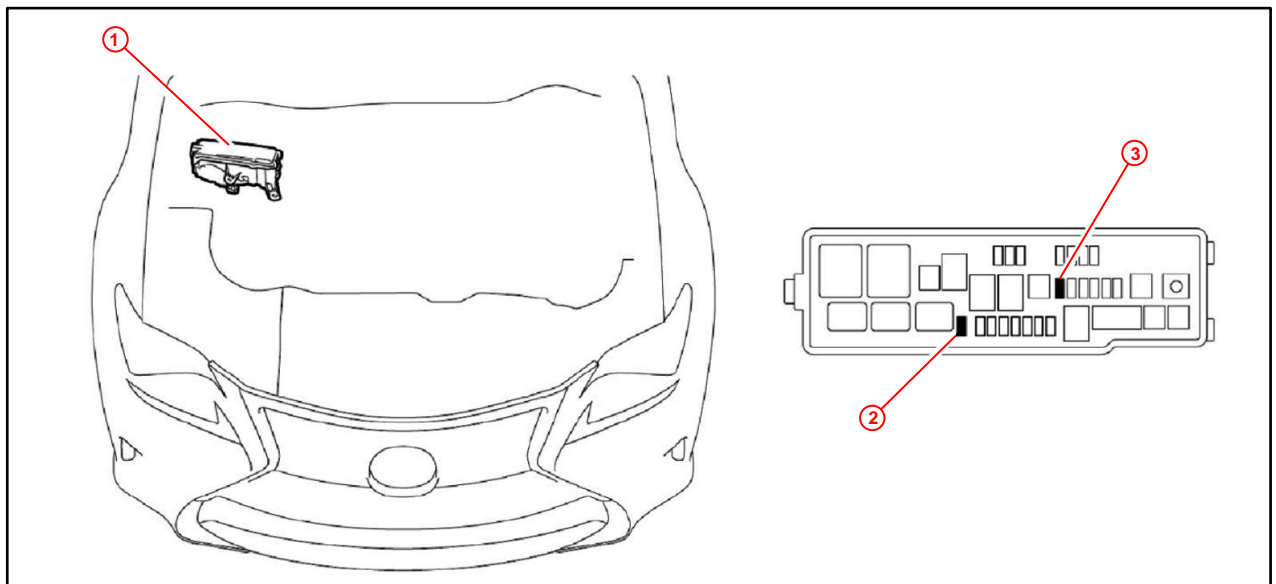
2020 RC F, RC300, RC350 Pre-Delivery Service (PDS)

D/C Cut Fuse Installation

To minimize battery discharge during transportation and storage, the D/C cut fuse (RC F: 20A, RC300/RC350: 30A) has been removed at the assembly plant and temporarily stored in the blank space of the relay block in the engine compartment.

During PDS, remove the D/C cut fuse (RC F: 20A, RC300/RC350: 30A) from the blank space of the engine compartment and install it in the location shown.

Figure 1.



1	Relay Block
2	Remove This D/C Cut Fuse (RC F: 20A, RC300/350: 30A)

3	Install D/C Cut Fuse Here (Original Location)
----------	--

NOTE

- Removing the D/C cut fuse cuts off power sources relating to the DOME and MPX-B.
- While the vehicle is stored at the dealership, disconnect the negative (-) battery terminal to prevent battery discharge. Refer to Service Bulletin No. [L-SB-0013-19](#), *Battery Maintenance During PDS*, for battery maintenance information.

2020 RC F, RC300, RC350 Pre-Delivery Service (PDS)

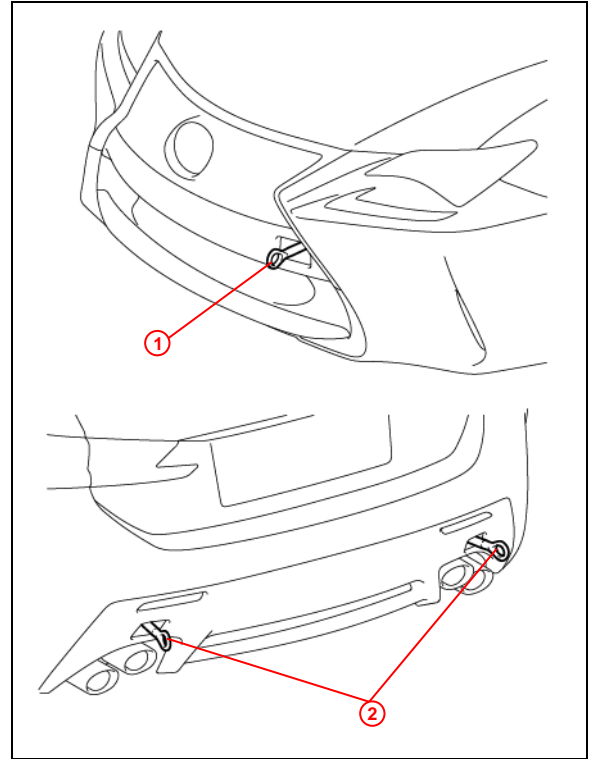
Emergency Towing Eyelet Removal

1. Remove the front and rear emergency towing eyelets from the front and rear bumpers by turning them counterclockwise.

NOTE

If it is hard to loosen the emergency towing eyelet, use a steel bar.

Figure 2.



1	Front Emergency Towing Eyelet
2	Rear Emergency Towing Eyelet

2020 RC F, RC300, RC350 Pre-Delivery Service (PDS)

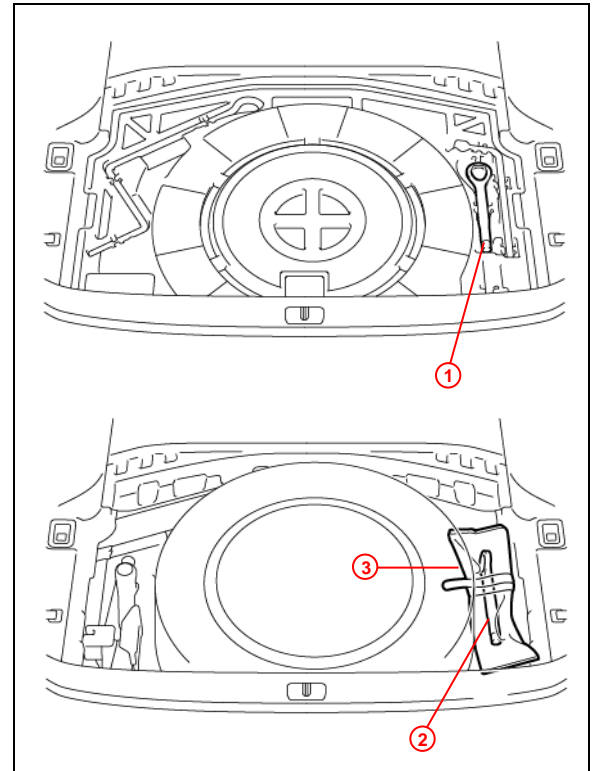
Emergency Towing Eyelet Removal (continued)

2. Place one of the removed emergency towing eyelets into the luggage tray or tool bag in the luggage compartment.

NOTE

Dispose of the other removed emergency towing eyelets.

Figure 3.



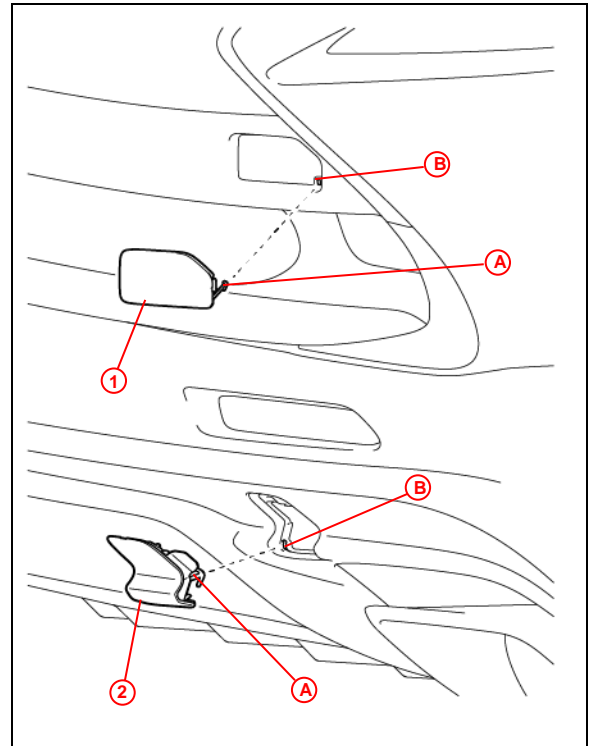
1	Type A Emergency Towing Eyelet
2	Type B Emergency Towing Eyelet
3	Tool Bag

2020 RC F, RC300, RC350 Pre-Delivery Service (PDS)

Emergency Towing Eyelet Hole Cover Installation

1. Install the front and rear emergency towing eyelet hole covers, which are stored in the glove box, onto the front and rear bumpers.
 - A. Insert the arrow-shaped part (A) of the emergency towing eyelet hole cover into the hole (B) as shown.
 - B. Install the emergency towing eyelet hole cover to the hole of the bumper.

Figure 4.



1	Front Emergency Towing Eyelet Hole Cover
2	Rear Emergency Towing Eyelet Hole Cover
A	Arrow-shaped Part
B	Eyelet Hole

2020 RC F, RC300, RC350 Pre-Delivery Service (PDS)

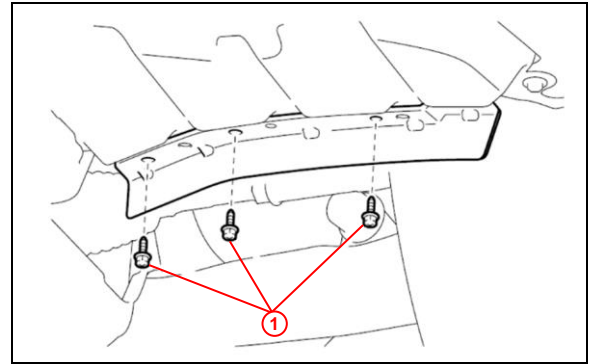
Front Wheel Opening Extension Pad Installation

The front wheel opening extension pad set (right and left front wheel opening extension pads and six self-tapping screws) has been placed in the luggage compartment at the assembly plant to avoid damage in transit.

During PDS, install the front wheel opening extension pads onto the vehicle.

Install the right and left front wheel opening extension pads with the six self-tapping screws.

Figure 5.



1

Self-tapping Screw

2020 RC F, RC300, RC350 Pre-Delivery Service (PDS)

Front License Plate and Mounting Bracket Installation

The front license plate mounting bracket and two self-tapping screws for the 2020 model year RC F, RC300, and RC350 have been stored in the luggage compartment of the vehicle at the assembly plant. For states that require a front license plate, install the bracket and bolts onto the bumper cover during PDS according to the following procedure.

The RC300 and RC350 (non-F Sport) models share the same installation procedure. The F Sport and F models require a different procedure (see page 9).

Installation Procedure for RC300 and RC350 (Non-F Sport)

1. Align holes "A" of the mounting bracket with the dimples on the front bumper cover.

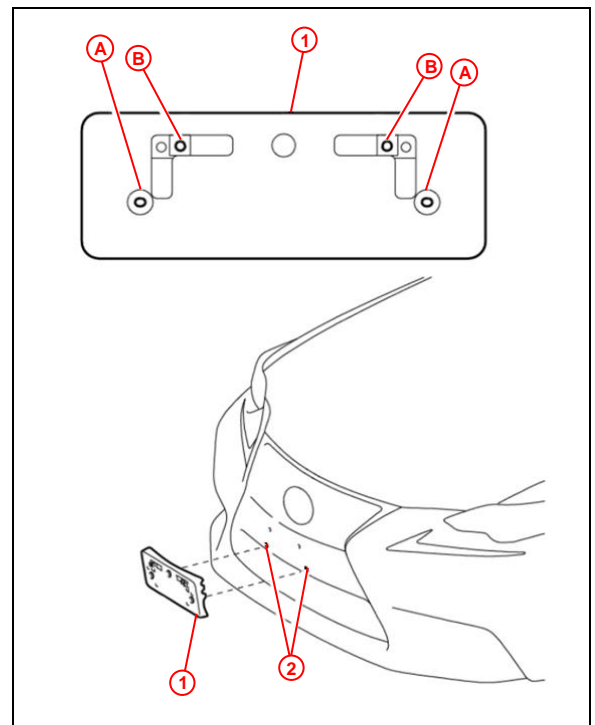
NOTICE

Do NOT drill into the dimples on the radiator grille.

NOTE

- Holes "A" are used to install the front mounting bracket onto the bumper cover.
- Holes "B" are used to install the front license plate onto the mounting bracket.

Figure 6.



1	Mounting Bracket
2	Dimple

2020 RC F, RC300, RC350 Pre-Delivery Service (PDS)

Front License Plate and Mounting Bracket Installation (continued)

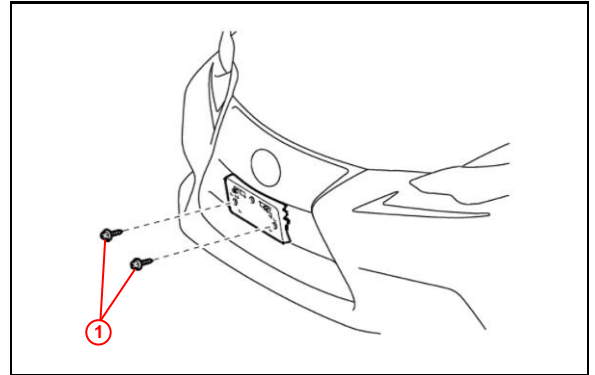
Installation Procedure for RC300 and RC350 (Non-F Sport) (continued)

2. Install the mounting bracket onto the front bumper cover at holes "A" using the two supplied self-tapping screws.

NOTICE

Do NOT overtighten the self-tapping screws.

Figure 7.



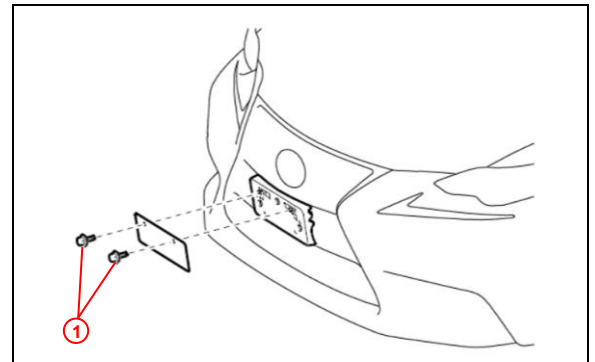
1	Self-tapping Screw
----------	---------------------------

3. Install the front license plate to the mounting bracket at holes "B" using two non-corroding bolts with the following dimensions:

Nominal Length: 10.0 mm (0.39 in.)

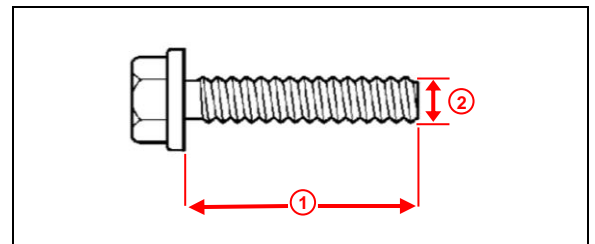
Diameter: 6.0 mm (0.24 in.)

Figure 8.



1	Bolt
----------	-------------

Figure 9.



1	Nominal Length
----------	-----------------------

2	Diameter
----------	-----------------

2020 RC F, RC300, RC350 Pre-Delivery Service (PDS)

Front License Plate and Mounting Bracket Installation (continued)

Installation Procedure for F Sport and RC F

1. Align holes "A" of the mounting bracket with the dimples (F Sport) or clips (RC F) on the radiator grille.

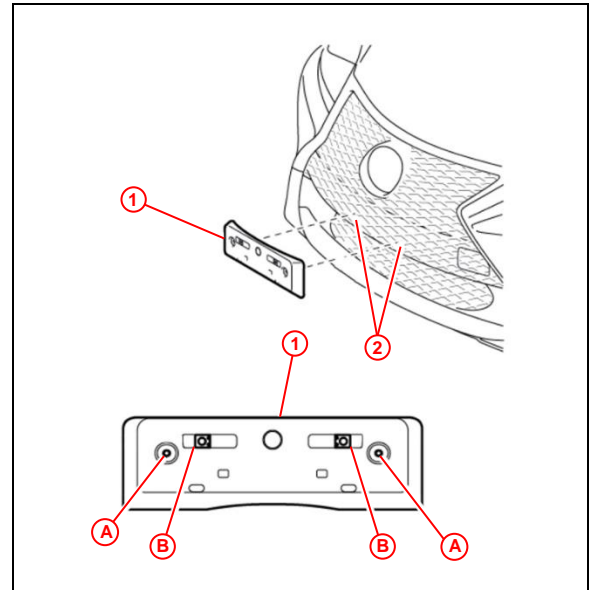
NOTICE

Do NOT drill into the dimples/clips on the radiator grille.

NOTE

- Holes "A" are used to install the mounting bracket to the radiator grille.
- Holes "B" are used to install the front license plate to the mounting bracket.

Figure 10.



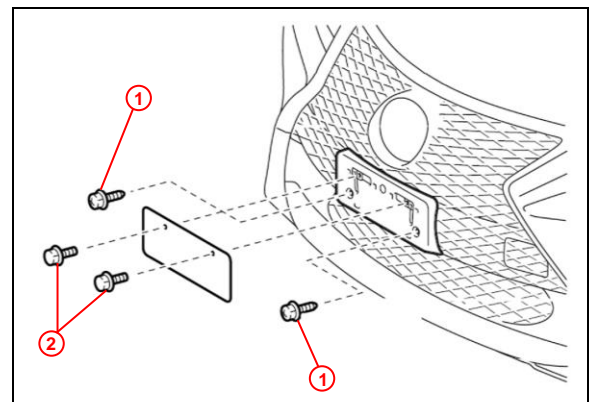
1	Mounting Bracket
2	Dimple (F Sport), Clip (RC F)

2. Install the mounting bracket onto the radiator grille using two self-tapping screws.

NOTICE

Do NOT overtighten the self-tapping screws.

Figure 11.



1	Self-tapping Screw
2	Bolt

2020 RC F, RC300, RC350 Pre-Delivery Service (PDS)

Front License Plate and Mounting Bracket Installation (continued)

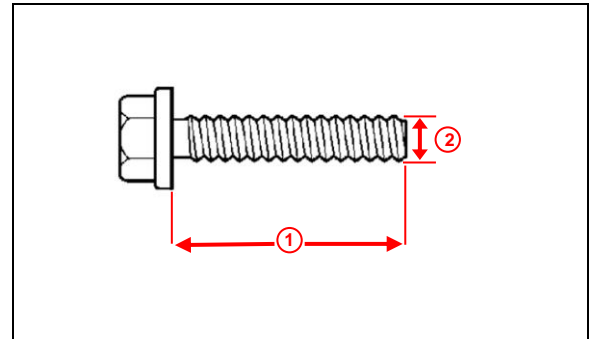
Installation Procedure for F Sport and RC F (continued)

3. Install the front license plate onto the mounting bracket using two bolts of non-corroding type with the following dimensions.

Nominal Length: 10.0 mm (0.39 in.)

Diameter: 6.0 mm (0.24 in.)

Figure 12.



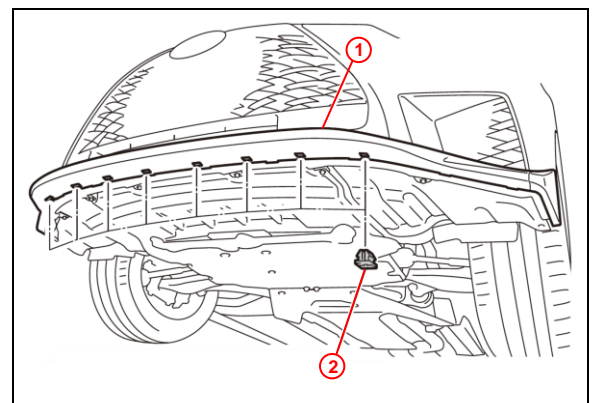
1	Nominal Length
2	Diameter

Air Dam Installation (RC F Track Edition/Performance Package Only)

The 2020 RC F Track Edition and 2020 RC F models with Performance Package are equipped with a front air dam. The air dam, eight screw grommets, and eight M6 x 19MM screws are stored in the luggage compartment of the vehicle at the assembly plant to prevent damage during transit. Install the air dam and screws onto the bumper spoiler during PDS using the following procedure.

1. Install the eight screw grommets to the underside of the front bumper spoiler.

Figure 13.



1	Front Bumper Spoiler
2	Screw Grommet (Eight)

2020 RC F, RC300, RC350 Pre-Delivery Service (PDS)

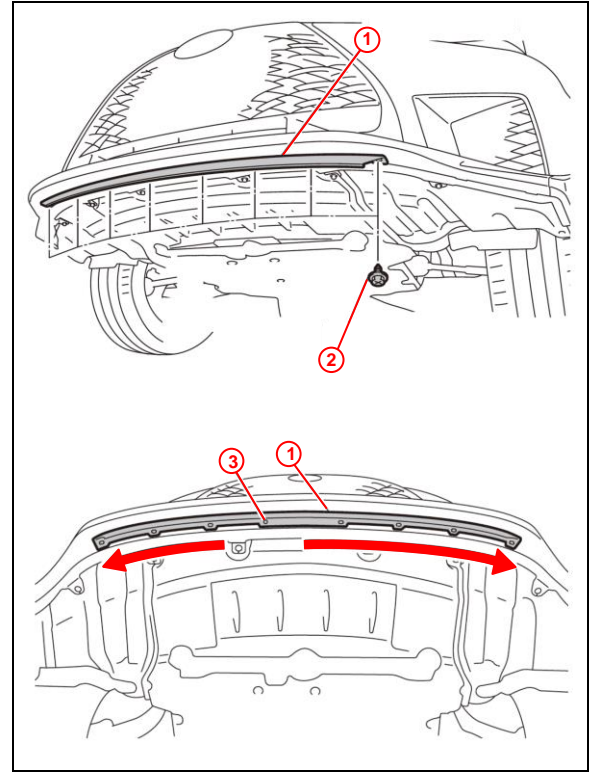
Air Dam Installation (RC F Track Edition/Performance Package Only) (continued)

2. Install the air dam with the eight provided M6 x 19mm screws.

NOTE

Install a screw in the round hole first, then work outward.

Figure 14.



1	Air Dam
2	Screw (Eight)
3	Round Hole