



# Technical Service Bulletin

|  |   |  |  |
|--|---|--|--|
| SUBJECT:   |   | No: <b>TSB-19-42A-005</b>                              |  |
| <b>BODY REPAIR MANUAL UPDATES FOR<br/>2017 LANCER &amp; LANCER SPORTBACK<br/>- SERVICE MANUAL REVISION</b> |   | DATE: <b>April 2019</b>                                |  |
|  |   | MODEL: <b>2017 Lancer &amp;<br/>Lancer Sportback</b>   |  |
| <b>CIRCULATE TO:</b>   | <input type="checkbox"/> GENERAL MANAGER            | <input checked="" type="checkbox"/> PARTS MANAGER      | <input checked="" type="checkbox"/> TECHNICIAN |
| <input checked="" type="checkbox"/> SERVICE ADVISOR  | <input checked="" type="checkbox"/> SERVICE MANAGER | <input checked="" type="checkbox"/> WARRANTY PROCESSOR | <input type="checkbox"/> SALES MANAGER         |

## PURPOSE

This TSB updates the Body Color section of the affected Body Repair Manual, to add body color information for 2017 models.

## AFFECTED VEHICLES

- 2017 Lancer
- 2017 Lancer Sportback (Canada)

## AFFECTED SERVICE MANUAL

2008 Lancer & 2010 Lancer Sportback Body Repair Manual

- Group 6 - Body Color
  - General Information
  - Body Color Charts
  - Body Coloring



Please add the following information for 2017 Lancer & Lancer Sportback Body Repair Manual, Group 6-Body Color -> General Information -> Body Color Charts.

- 2008 Lancer
- 2010 Lancer Sportback

**BODY REPAIR  
BODY COLOR**

---

## **BODY COLOR**

### **GENERAL INFORMATION**

M142010000861

### **BODY COLOR CHARTS**

M1420160100712

#### **MONO-TONE**

| <b>Color</b> | <b>Color code</b> | <b>Color number</b> | <b>Color name</b>        | <b>Coating film structure</b> | <b>Composition of film</b> |
|--------------|-------------------|---------------------|--------------------------|-------------------------------|----------------------------|
| BLUE         | D06               | CMD10006            | Lightning Blue Mica      | 2P                            | Interferenced Pearl        |
| RED          | P26               | CMP10026            | Red Metallic             | 2M                            | Metallic                   |
| GRAY         | U17               | CMU10017            | Titanium Gray Metallic   | 2M                            | Metallic                   |
| SILVER       | U25               | CSU10025            | Sterling Silver Metallic | 2M                            | Metallic                   |
| WHITE        | W13               | CMW10013            | White Pearl              | 3P                            | Pearl                      |
| BLACK        | X42               | AC11342             | Black Mica               | 2P                            | Interferenced Pearl        |

**NOTE:**

- The coating film structure indicates top coating only (2M: 2 coat metallic, 2P: 2 coat pearl, 3P: 3 coat pearl).
- For painting, inner panel colors should be similar to the outer panel colors.
- The front fender garnish assembly is coated in black (AC11008).
- The radiator grille is coated in black (AC11342).
- The front bumper center garnish is coated in black (AC11342).

**BODY REPAIR  
BODY COLOR**

**2-TONE**

| Color          | Color code | Color number | Color name | Coating film structure                | Composition of film |                     |
|----------------|------------|--------------|------------|---------------------------------------|---------------------|---------------------|
| BLACK / BLUE   | X42D06     | X42          | AC11342    | Black Mica / Lightning Blue Mica      | 2P                  | Interferenced Pearl |
|                |            | D06          | CMD10006   |                                       | 2P                  | Interferenced Pearl |
| BLACK / RED    | X42P26     | X42          | AC11342    | Black Mica / Red Metallic             | 2P                  | Interferenced Pearl |
|                |            | P26          | CMP10026   |                                       | 2M                  | Metallic            |
| BLACK / GRAY   | X42U17     | X42          | AC11342    | Black Mica / Titanium Gray Metallic   | 2P                  | Interferenced Pearl |
|                |            | U17          | CMU10017   |                                       | 2M                  | Metallic            |
| BLACK / SILVER | X42U25     | X42          | AC11342    | Black Mica / Sterling Silver Metallic | 2P                  | Interferenced Pearl |
|                |            | U25          | CSU10025   |                                       | 2M                  | Metallic            |
| BLACK / WHITE  | X42W13     | X42          | AC11342    | Black Mica / White Pearl              | 2P                  | Interferenced Pearl |
|                |            | W13          | CMW10013   |                                       | 3P                  | Pearl               |

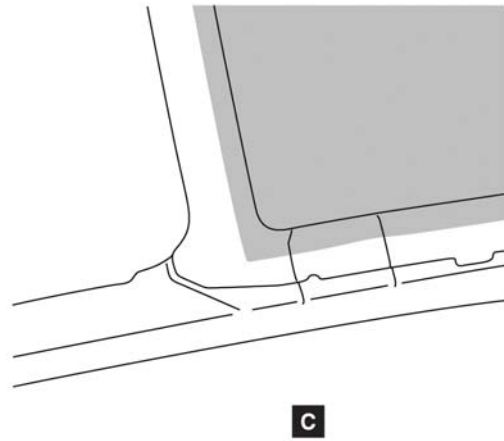
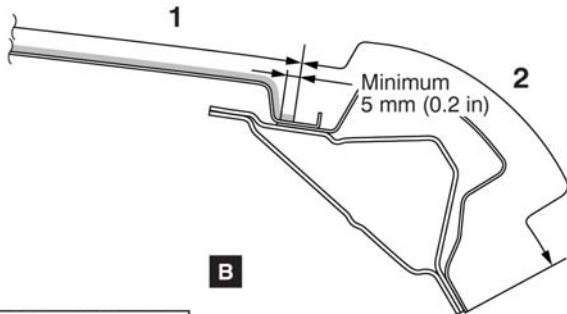
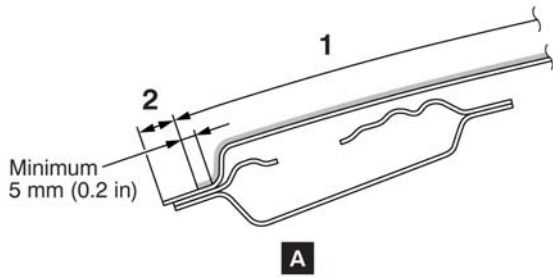
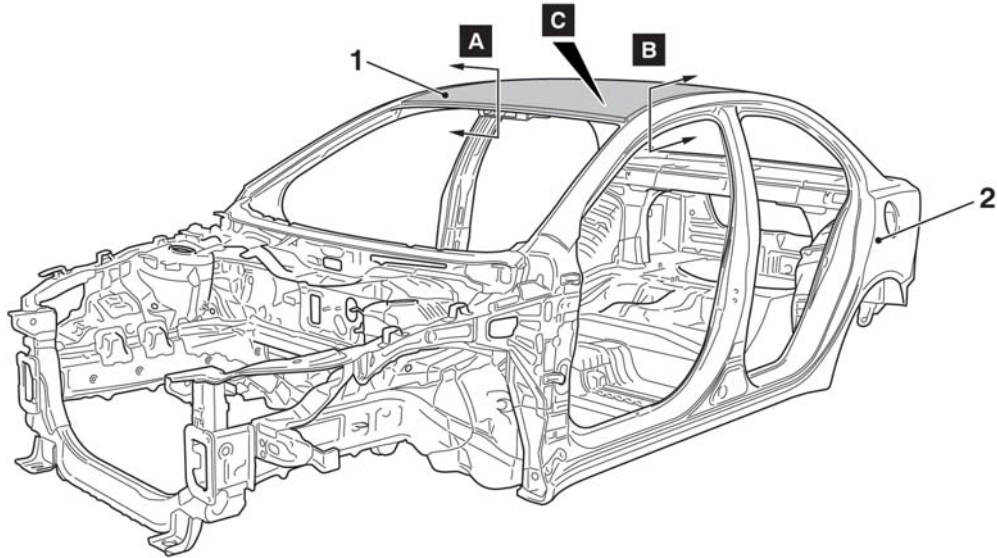
**NOTE:**

- The coating film structure indicates top coating only (2M: 2 coat metallic, 2P: 2 coat pearl, 3P: 3 coat pearl).
- For painting, inner panel colors should be similar to the outer panel colors.
- A roof color is placed before the slash, and a body color after the slash, respectively.
- The front fender garnish assembly is coated in black (AC11008).
- The radiator grille is coated in black (AC11342).
- The front bumper center garnish is coated in black (AC11342).

**BODY REPAIR  
BODY COLOR**

**BODY COLORING  
TWO-TONE**

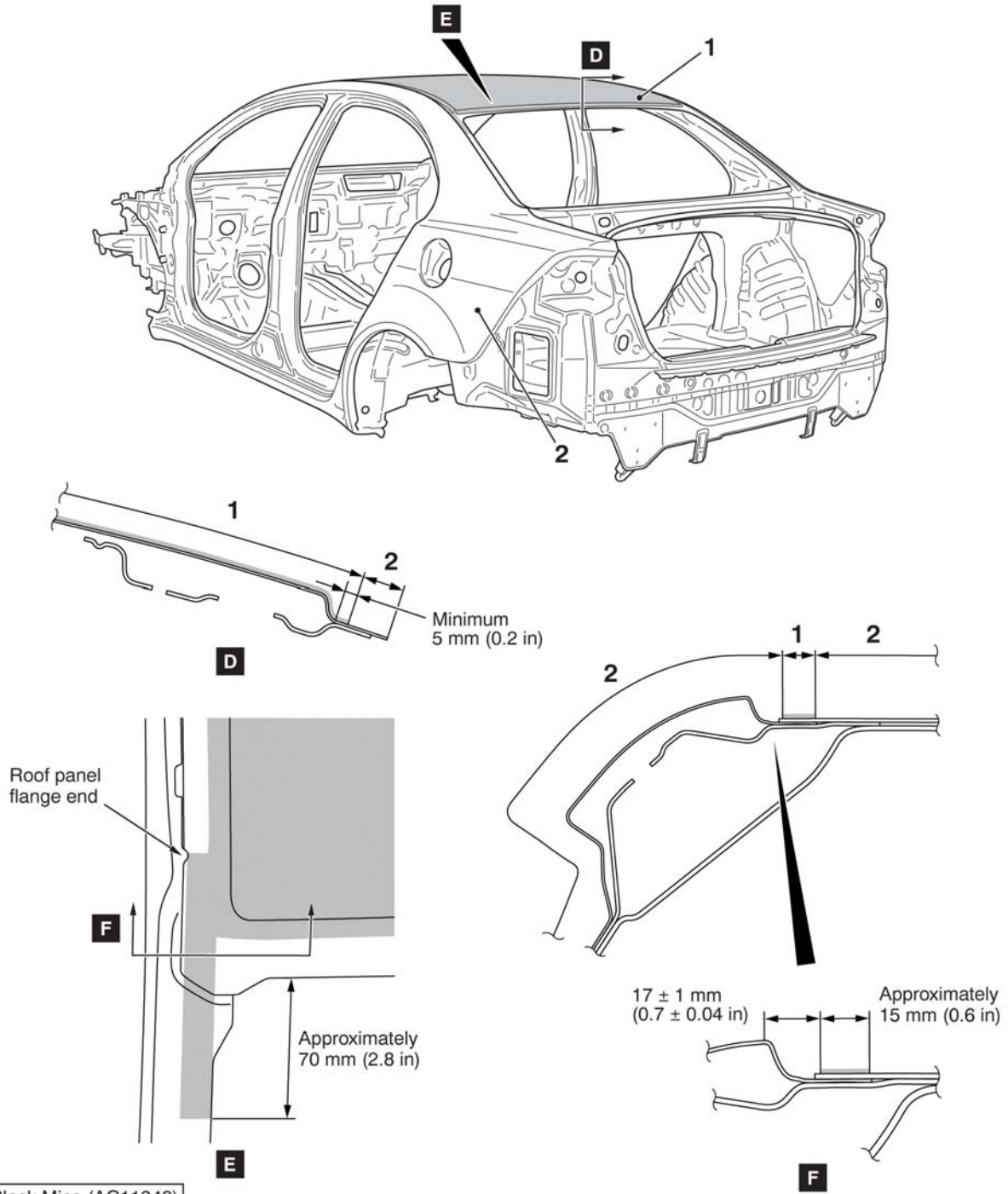
M1420161100038



|   |                      |
|---|----------------------|
| 1 | Black Mica (AC11342) |
| 2 | Body Color           |

ACG04058AB

**BODY REPAIR  
 BODY COLOR**



|   |                      |
|---|----------------------|
| 1 | Black Mica (AC11342) |
| 2 | Body Color           |