



# Technical Service Bulletin

SUBJECT:			No: <b>TSB-19-25-001</b>
<b>CORRECTION TO PROPELLER SHAFT ASSEMBLY REMOVAL PROCEDURE - SERVICE MANUAL REVISION</b>			DATE: <b>April 2019</b>
			MODEL: <b>See below</b>
<b>CIRCULATE TO:</b>	<input type="checkbox"/> GENERAL MANAGER	<input checked="" type="checkbox"/> PARTS MANAGER	<input checked="" type="checkbox"/> TECHNICIAN
<input checked="" type="checkbox"/> SERVICE ADVISOR	<input checked="" type="checkbox"/> SERVICE MANAGER	<input checked="" type="checkbox"/> WARRANTY PROCESSOR	<input type="checkbox"/> SALES MANAGER

## PURPOSE

This TSB updates the Propeller Shaft section of the affected Service Manuals, to correct the propeller shaft assembly removal procedure.

## AFFECTED VEHICLES

- 2012 - 2017 Lancer & Lancer Sportback with 4WD
- 2007 - 2018 Outlander with 4WD

## AFFECTED SERVICE MANUAL


- 2012 - 2017 Lancer & Lancer Sportback Service Manual, Group 25-Propeller Shaft
- 2007 - 2018 Outlander Service Manual, Group 25-Propeller Shaft



Please make the indicated changes to the 2012 - 2017 Lancer/Lancer Sportback & 2007 - 2018 Outlander Service Manuals, Group 25-Propeller Shaft -> Special Tools.

**PROPELLER SHAFT  
SPECIAL TOOL**

<Deleted>

<b>SPECIAL TOOL</b>			
<b>Tool</b>	<b>Number</b>	<b>Name</b>	<b>Use</b>
 MB991193	MB991193	Plug	Prevent the entry of foreign materials into the transfer case during removal of the propeller shaft.

Please make the indicated changes to the 2012 - 2017 Lancer/Lancer Sportback & 2007 - 2018 Outlander Service Manuals, Group 25-Propeller Shaft -> Removal & Installation -> Removal Service Point -> Propeller Shaft Assembly Removal.

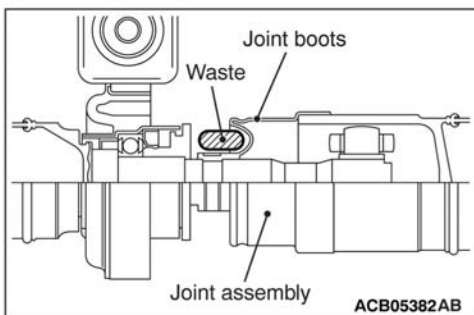
## PROPELLER SHAFT PROPELLER SHAFT

### REMOVAL SERVICE POINT

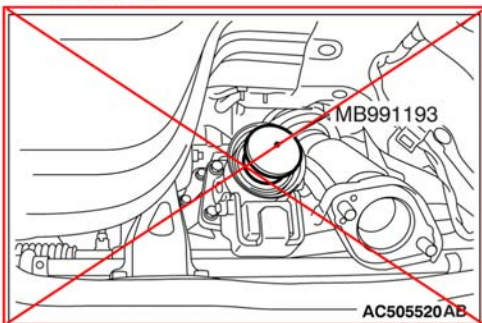
#### PROPELLER SHAFT ASSEMBLY REMOVAL

**⚠ CAUTION**

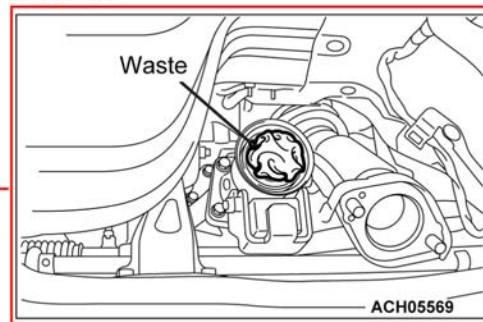
If the joint assembly is bent, it may be damaged when pinching the joint boots.



1. Insert a waste or similar materials into the joint boots, and remove the propeller shaft assembly by aligning the front propeller shaft with the rear shaft. **<Incorrect>**



**<Correct>**



**<Correct>**

**<Incorrect>**

2. Using ~~special tool plug (MB991193)~~, cover the transfer case to prevent the entry of foreign materials.

**a lint-free waste cloth**