



Technical Service Bulletin

SUBJECT:		No: TSB-19-34-003	
UPDATE TO SHOCK ABSORBER ASSEMBLY INSTALLATION - SMR		DATE: April 2019	
		MODEL: See below	
CIRCULATE TO:	<input type="checkbox"/> GENERAL MANAGER	<input checked="" type="checkbox"/> PARTS MANAGER	<input checked="" type="checkbox"/> TECHNICIAN
<input checked="" type="checkbox"/> SERVICE ADVISOR	<input checked="" type="checkbox"/> SERVICE MANAGER	<input type="checkbox"/> WARRANTY PROCESSOR	<input type="checkbox"/> SALES MANAGER

PURPOSE

This TSB updates the Rear Suspension section of the affected Service Manuals to delete the requirement for an installation direction of the coil spring end of the shock absorber assembly.

The installation direction of the coil spring end is not important when installing the shock absorber assembly (LH and RH).

AFFECTED VEHICLES

- 2009 - 2015 Lancer
- 2011 - 2015 Lancer Sportback
- 2014 - 2015 Outlander
- 2011 - 2015 Outlander Sport/RVR

AFFECTED SERVICE MANUALS

- 2009 - 2015 Lancer, Service Manual, Group 34-Rear Suspension
- 2011 - 2015 Lancer Sportback, Service Manual, Group 34-Rear Suspension
- 2014 - 2015 Outlander, Service Manual, Group 34-Rear Suspension
- 2011 - 2015 Outlander Sport/RVR, Service Manual, Group 34-Rear Suspension

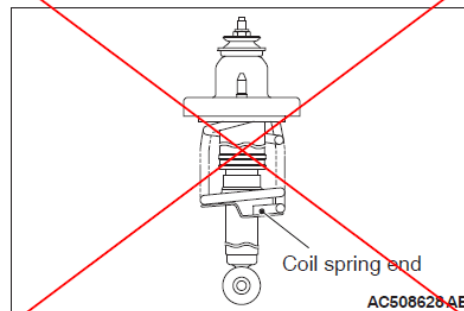


Please make the indicated changes to the Service Manuals listed below, Group 34-Rear Suspension
-> Shock Absorber Assembly -> Removal and Installation -> Installation Service Point.

- 2009 - 2015 Lancer
- 2011 - 2015 Lancer Sportback
- 2014 - 2015 Outlander
- 2011 - 2015 Outlander Sport/RVR

INSTALLATION SERVICE POINT <Deleted>

**>>A<< SHOCK ABSORBER ASSEMBLY
INSTALLATION**



Install the shock absorber assembly so that the coil
spring end faces the rear of the vehicle.