



Technical Service Bulletin

SUBJECT:			No: TSB-19-42A-004
WINDOW GLASS RUNCHANNEL & DOOR OPENING WEATHERSTRIP REMOVAL & INSTALLATION - SERVICE MANUAL REVISION			DATE: April 2019
			MODEL: 2016-19 Outlander
CIRCULATE TO:	<input type="checkbox"/> GENERAL MANAGER	<input checked="" type="checkbox"/> PARTS MANAGER	<input checked="" type="checkbox"/> TECHNICIAN
<input checked="" type="checkbox"/> SERVICE ADVISOR	<input checked="" type="checkbox"/> SERVICE MANAGER	<input checked="" type="checkbox"/> WARRANTY PROCESSOR	<input type="checkbox"/> SALES MANAGER

PURPOSE

This TSB updates the Body section of the affected Service Manual, to correct the window glass runchannel and door opening weatherstrip removal and installation procedure.

AFFECTED VEHICLES

- 2016 - 2019 Outlander

AFFECTED SERVICE MANUAL

- 2016 - 2019 Outlander Service Manual, Group 42-Body



Please make the indicated changes to the 2016 - 2019 Outlander Service Manual, Group 42-Body
-> Door -> Specifications -> Adhesive.

ADHESIVE

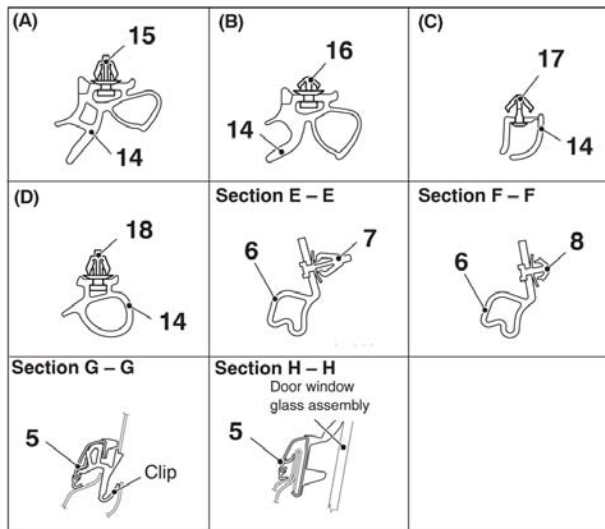
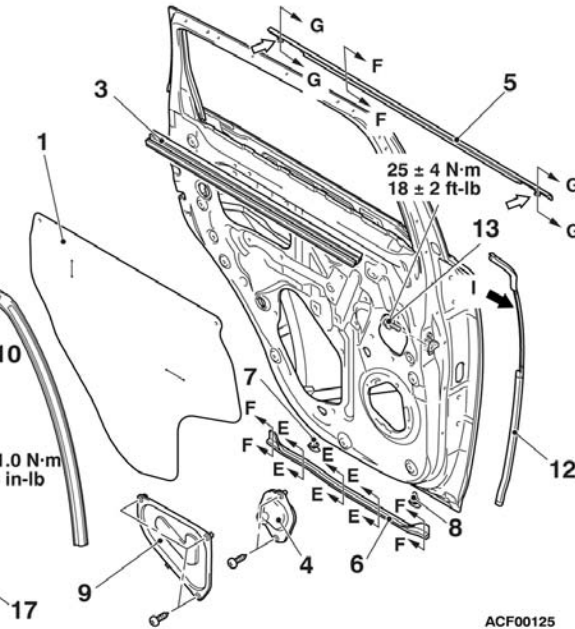
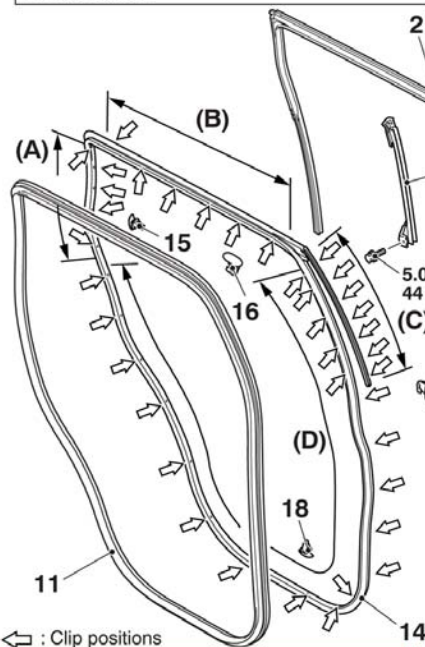
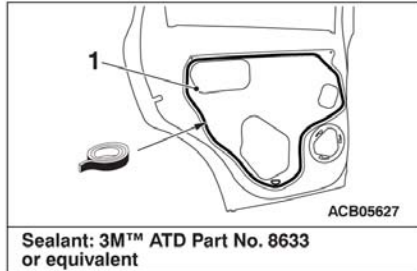
M1423000500705

Item	Specification
Door waterproof film	3M ATD Part No.8633 or equivalent
Door opening front weatherstrip	Double-sided tape: 3M SF6808 or commercially-available product [width; 6 mm (0.2 in), length (A); 60 mm (2.4 in), length (B); 80 mm (3.1 in), thickness; 0.8 mm (0.03 in)] Specified primer: 3M K-540NT

<Correct> Double-sided adhesive tape: 3M SF6812 or equivalent
(J) thickness; 1.2 mm (0.05 in), width; 6 mm (0.2 in), length; 60 mm (2.4 in)
(K) thickness; 1.2 mm (0.05 in), width; 6 mm (0.2 in), length; 80 mm (3.1 in)
(L) thickness; 1.2 mm (0.05 in), width; 4 mm (0.2 in), length; 80 mm (3.1 in)

Please make the indicated changes to the 2016 - 2019 Outlander Service Manual, Group 42-Body
 -> Door -> Window Glass Runchannel & Door Opening Weatherstrip -> Removal and Installation.

<Rear door>



<Incorrect>

- Waterproof film removal steps**
- Door trim assembly (Refer to GROUP 52A – Door Trim .)
- >>B<<
1. Waterproof film
- Door window glass runchannel removal**
2. Door window glass runchannel

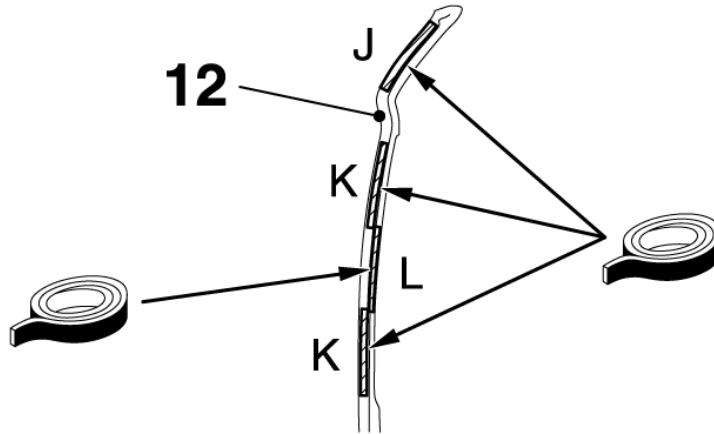
Door beltline weatherstrip inner removal steps

- Door trim assembly (Refer to GROUP 52A – Door Trim .)
3. Door beltline weatherstrip inner

See next page

<Correct>

View I



Double-sided tape: 3M SF6812 or equivalent

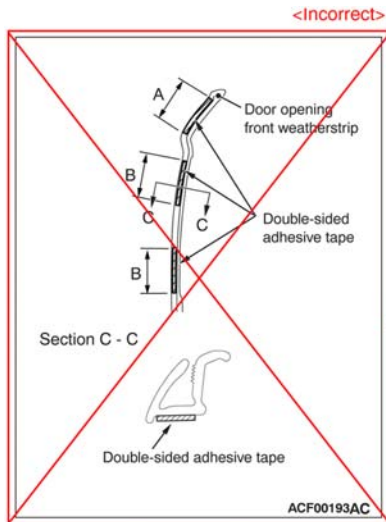
(J) thickness; 1.2 mm (0.05), width; 6 mm (0.2 in), length; 60 mm (2.4 in)

(K) thickness; 1.2 mm (0.05), width; 6 mm (0.2 in), length; 80 mm (3.1 in)

(L) thickness; 1.2 mm (0.05), width; 4 mm (0.2 in), length; 80 mm (3.1 in)

Specified primer: 3M K-540NT

Please make the indicated changes to the 2016 - 2019 Outlander Service Manual, Group 42-Body
 -> Door -> Installation Service Points -> Door Opening Front Weatherstrip Installation.



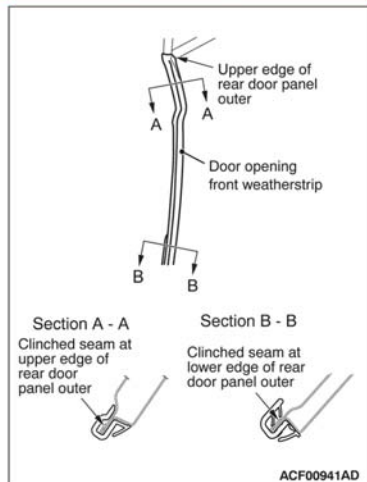
4. Apply a double-sided adhesive tape to the door opening weatherstrip as shown. <Incorrect>

Double-sided adhesive tape: 3M SF6808 or commercially-available product [width; 6 mm (0.2 in), length (A); 60 mm (2.4 in), length (B); 80 mm (3.1 in), thickness; 0.8 mm (0.03 in)]

5. Tear off the backing paper from the double-sided tape.
 NOTE: If the adhesive tape is attached to the edge of the backing paper, it will be easy to tear off.

Double-sided adhesive tape: 3M SF6812 or equivalent (J) thickness; 1.2 mm (0.05 in), width; 6 mm (0.2 in), length; 60 mm (2.4 in) (K) thickness; 1.2 mm (0.05 in), width; 6 mm (0.2 in), length; 80 mm (3.1 in) (L) thickness; 1.2 mm (0.05 in), width; 4 mm (0.2 in), length; 80 mm (3.1 in)

<Correct>



6. Align the upper edge of the door opening front weatherstrip with that of the door panel outer.
 7. Engage the door opening front weatherstrip with the upper and lower clinched seams on the door panel outer.
 8. Ensure that the weatherstrip is seated on the door panel outer.

NOTE: If the double-sided tape is difficult to affix in cold temperature, etc., warm the bonding surfaces before affixing the tape.

Body: 40 – 60°C (104 – 140°F)
Door opening front weatherstrip: 20 – 30°C (68 – 86°F)

CAUTION

Apply the door opening front weatherstrip to the door panel outer securely.

<Added>

