



**Rick March, General Manager
Customer Relations Group**

Greetings! As I write this article in early April the weather here in Ohio has finally turned the corner. We have had some nice early Spring days. That gets us excited about the Summer season by getting out of the house for a while and taking a vacation. I hope you are all making your plans!!

In this article I will be covering the door hinges we use in the travel trailers. We get questions concerning how to adjust the hinges. As well as owners telling us sometimes they do not stay connected to the hinge base if they are bumped while getting items in and out of the cabinet.

Grass Euro style hidden door hinges

Airstream has used two different Euro style hidden hinges. The earlier models will have a black plastic cover while the later models will have a chrome cover. This change took place in the 2014 model year and all 2015 models would have the chrome cover. The removal of this cover will give you access to the adjustment screws on the hinges. The newer style is a direct replacement if for some reason one would have to be replaced. Below I will show you a picture of each hinge.



Earlier style with black cover

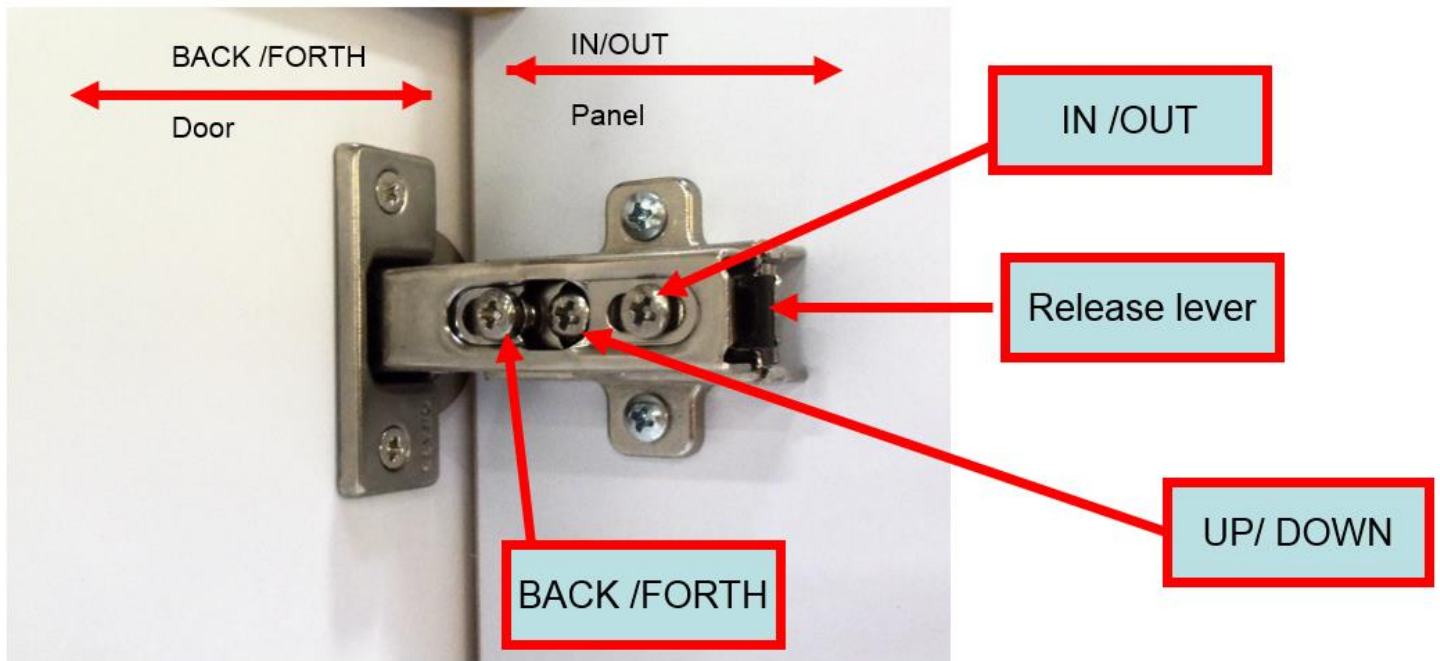


Current style with chrome cover

Adjustment points on the hinge

Interesting to note that whether you have the earlier style with the black cover or the newer style with the chrome cover the adjustment points are the same. I will show you a picture detailing the three adjustment points on the hinges with a closed cabinet door view.

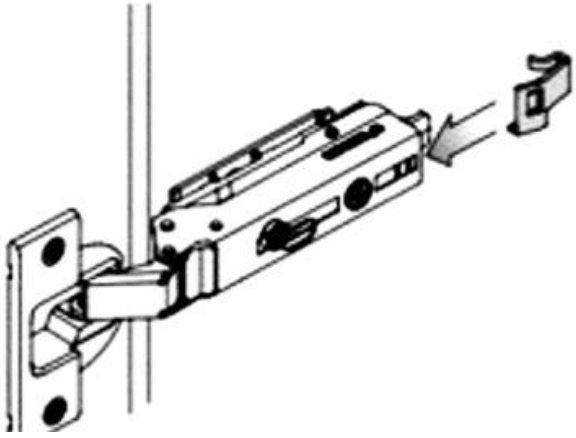
The three center screws do not tighten latch!



Gray release button lock

The question we get asked frequently is that their cabinet door hinges are always coming apart or even falling off. The hinge comes detached from the base. Is there a fix or should I just replace the hinges?

The answer to this question is that the quick release lever (pictured above) is not protected and that sometimes just by bumping them, or even rough roads can cause them to come detached from the hinge base. There is a fix however as there is a release button lock that can be installed so that you cannot accidentally release the hinge from the base. It locks it in place and can be installed in seconds. I capture the grey lock in the first pictures of this article but I will show another picture of how it installs.



Grass F072135807540, Tiomos Hinge Clip Protector, Plastic Grey SKU: 11289919 F072135807540 by GRASS AMERICA

I have discussed this topic at a few rallies where I have given seminars and usually bring a few extra grey clips with me to give to any audience members that may be having this issue. If you need a few for a door that you are experiencing this with send me an email with your address and I will send you a few through the mail.

International Rally in Doswell Virginia

Kim Britt our Parts Manager and I plan to attend the International Rally this year in Doswell, Virginia and will be setting up our retail store for parts and accessories. If there are any specific parts you are needing and would like her to see if she can bring them to the rally for you please contact her by email at kbritt@airstream.com. We look forward to seeing you there!!

I would love to hear from you and if you have a suggestion or topic you would like to see covered in a future article, or have a question just drop me a line at rmarch@airstream.com .

Have a great month!

Rick March