

PREVOST

**WARRANTY
BULLETIN**

WB19-02A


DATE :	April 2019	SECTION :	01 ENGINE
EXPIRATION:	April 2021		
SUBJECT :	ALTERNATOR IDLER SUPPORT REPLACEMENT		

First Release A

Added dust cap 453076

2019-04-15

APPLICATION

NOTICE TO SERVICE CENTERS	
<i>Verify vehicle eligibility by checking warranty bulletin status with SAP or via ONLINE WARRANTY SYSTEM available on Service / Warranty tab of Prevost website.</i>	
Model	VIN
H3-41, H3-45 coaches Model Year : 2018 - 2019	 Individual vehicles 2PCH33492 JC713934 ; 2PCH33493 JC710086 ; 2PCH33497 JC710124 And from 2PCH33493 KC710185 up to 2PCH33493 KC720697 incl.
X3-45 coaches Model Year : 2017 - 2019	US built From 4RKG33491 H9737417 up to 4RKG33496 K9737632 incl. Canadian Built From 2PCG3349X HC736092 up to 2PCG33495 KC736461 incl.
X3-45 VIP commercial use Model Year : 2017 - 2019	From 2PCCS3493 HC736145 up to 2PCCS3491 KC736457 incl.
X3-45 Commuter Model Year : 2017 - 2019	Individual vehicles 2PCJ33493 JC736317 ; 2PCJ33491 KC736432 , 4RKJ33498 H9737386 ; 4RKJ33492 J9737485 And from 4RKJ33495 J9737514 up to 4RKJ33495 K9737546 incl.
This bulletin does not necessarily apply to all the above-mentioned vehicles, some vehicles may have been modified before delivery. The owners of the vehicles affected by this bulletin will be advised by a letter indicating the Vehicle Identification Number (VIN) of each vehicle concerned.	

DESCRIPTION

On the vehicles affected by this bulletin replace the idler and belt tensioner *support* on the left side (hot side) of the engine by an improved part, 011213.

This applies to installations with Bosch or Delco Remy alternators on the hot side (left side) of the engine.

MATERIAL

Order kit WB19-02 which includes the following parts:

Part No.	Description	Qty
011213	Idler support	1

Other parts that may be required depending on condition:

Part No.	Description	Qty
453076	Dust cap	1
5001786	SCREW CAP HEXF M12-1.75x30 G8.8 N500	1
5001799	SCREW CAP HEXF M10-1.5x70 G10.9 N500	4

NOTE

Material can be obtained through regular channels.

PROCEDURE



DANGER

Park vehicle safely, apply parking brake, stop engine. Prior to working on the vehicle, set the ignition switch to the OFF position and trip the main circuit breakers equipped with a trip button. On the Commuter type vehicles, set the battery master switch (master cut-out) to the OFF position.

1. Locate the alternator drive belt on the left side of the engine.
2. Rotate the automatic belt tensioner clockwise using a ½ square drive breaker bar. Remove the alternator drive belt.
3. Keep the belt.

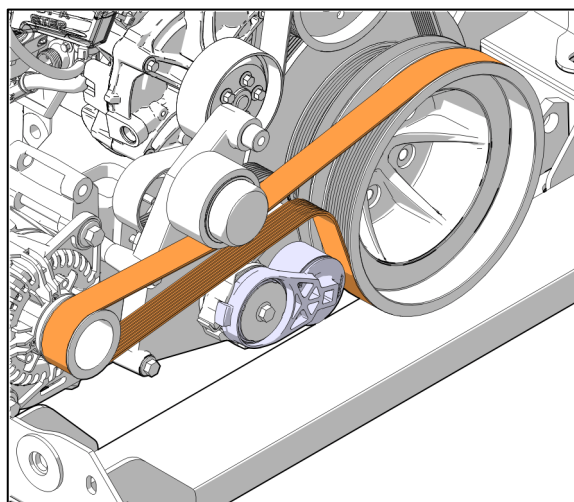


FIGURE 1: ALTERNATOR DRIVE BELT

4. Remove the idler support by unscrewing the three screws. Keep hardware for reuse.

Support must be scrapped. It must not be reused on vehicles.

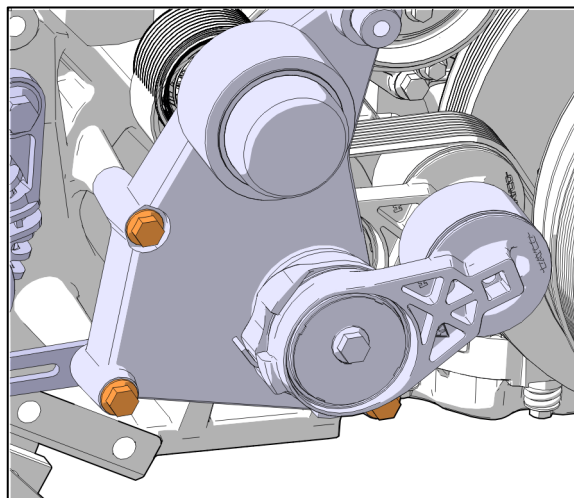


FIGURE 2

5. Remove idler and belt tensioner.
6. Take note of the idler position as it may be installed higher or lower on the support.
7. Discard support. Keep idler and tensioner. Keep hardware for reuse.

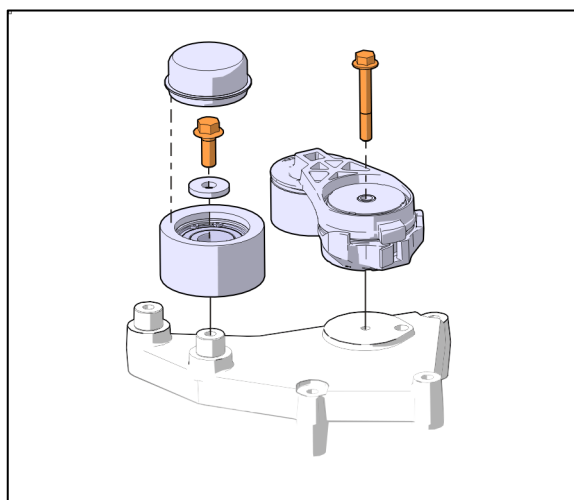


FIGURE 3

8. Clean mounting surfaces, screws and threaded holes with brake cleaner.
9. Transfer idler **A** to new support.
Assemble with Loctite 243
Tighten screw 5001786 to **59 lb-ft.**
Apply torque seal marks.
10. Transfer belt tensioner **B** to new support.
Assemble with Loctite 243
Tighten screw 5001799 to **48 lb-ft.**
Apply torque seal marks.

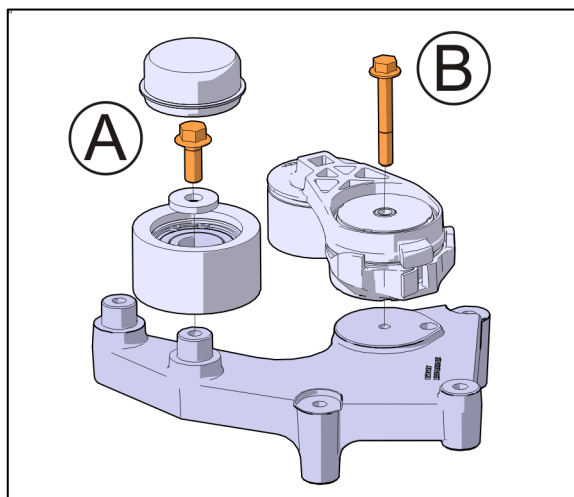


FIGURE 4

11. Clean mounting holes.
12. Install new idler support.
13. Assemble screws with Loctite 243.
Tighten screw 5001799 to **48 lb-ft**.
Apply torque seal mark.

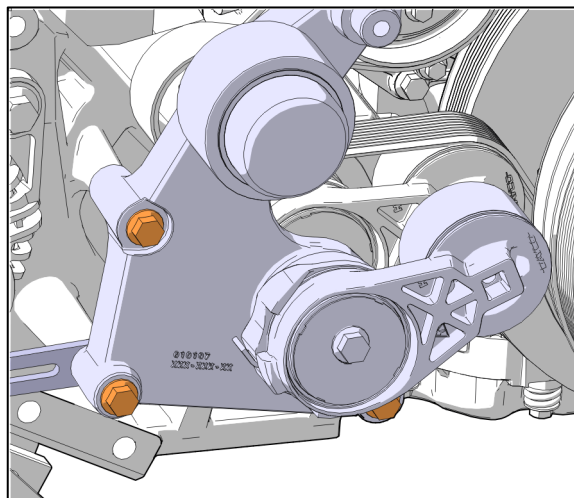


FIGURE 5

14. Re-Install belt.
Rotate the automatic belt tensioner using a ½ square drive breaker bar.

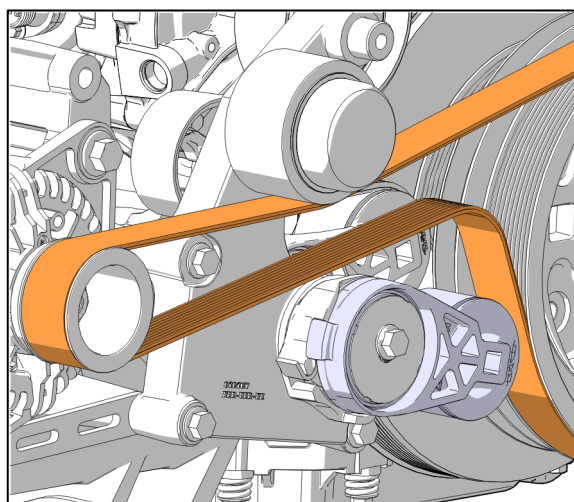


FIGURE 6

15. Confirm proper operation of alternator and charging system.

PARTS / WASTE DISPOSAL

DO NOT RETURN THE REPLACED PARTS. Discard waste according to applicable environmental regulations (Municipal/State[Prov.]/ Federal)

WARRANTY

This modification is covered by Prevo's normal warranty. We will reimburse you the parts and one hour (1h) of labor upon receipt of a warranty claim. Please submit claim via our Online Warranty System, available at www.prevo.com (under Service \ Warranty section). Use Claim Type: "Bulletin/Recall" and select "Warranty Bulletin WB19-02".

OTHER

VBC Bulletin	N/A
Fail Code	01.04
Defect Code	09
Syst. Cond	B
Causal Part	012943

Access all our Service Bulletins on
<http://techpub.prevostcar.com/en/>
or scan the QR-Code with your smart phone.

Are you a Vehicle owner? E-mail us
at ***technicalpublications_prev@volvo.com*** and type "ADD" in
the subject to receive warranty bulletins applicable to your
vehicle(s) by e-mail.

