

PREVOST

Instruction Sheet

IS-08006

ENGINE DOOR GAS SPRING RELOCATION

H series from 4-4758 up to 8-1043

First Release :
April 17 2019

MATERIAL

Order kit 289987 which includes the following parts:

Part No.	Description	Qty
289988	ARM STABILIZER / ENGINE DOOR / STREESIDE "H"	1
289985	SUPPORT CYLINDER STRUCTURE / W/STREETSIDE ARM	1
289992	SUPPORT CYLINDER / LOWER POST	1
504488	RIVET MAGNA-LOK PROTRUDING 3/16x17/64 SS	1
502911	NUT HEXF M8-1.25 SS	2
980015	BALL STUD / W/10 MM X M8-1.25 / 29.18 MM	2
5001636	SCREW CAP HEX M6-1.0x50 SS BK	3
502565	NUT HEX M6-1.0 SS	3
502573	WASHER FL 6.4x12.5x1.6 SS	6
IS-08006	Instruction Sheet	1
FI-08006	Feuille d'instructions	1

Other parts that may be required depending on condition:

Part No.	Description	Qty
980024	Gas spring, 669-409mm C/C, 200lb	A/R
507289	BUSHING NYLINER / BETWEEN ARM & ATTACHMENT	A/R
282540	SPACER BUSHING FLANGE / BETWEEN ARM & SUPPORT	A/R

NOTE

Material can be obtained through regular channels.

PROCEDURE



DANGER

Park vehicle safely, apply parking brake, stop engine. Prior to working on the vehicle, set the ignition switch to the OFF position and trip the main circuit breakers equipped with a trip button. On Commuter type vehicles, set the battery master switch (master cut-out) to the OFF position.

Lock out & Tag out (LOTO) must be performed during set-up, maintenance or repair activities. Refer to your local procedure for detailed information regarding the control of hazardous energy.

1. Remove existing road side gas spring (1). Keep gas spring.
2. Remove road side arm (2). Discard arm. Keep hardware.

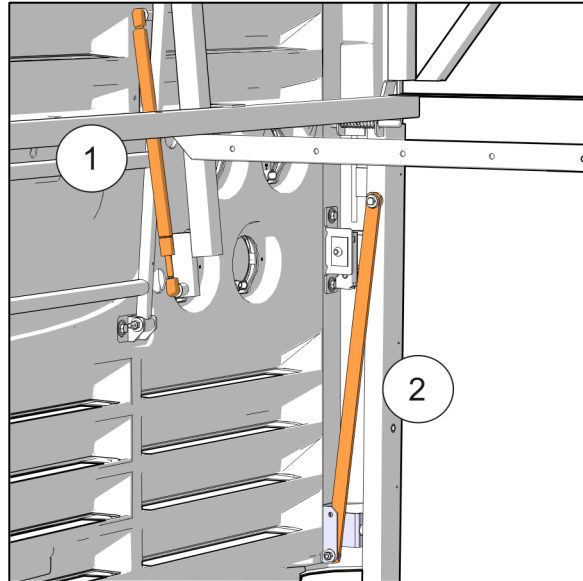


FIGURE 1

3. If present, remove the light support attached to the gas spring anchor structure.
4. Note arrangement and keep hardware.



FIGURE 2

5. Remove any additional cables and hoses that may be attached to the gas spring anchor structure.
6. Note arrangement.

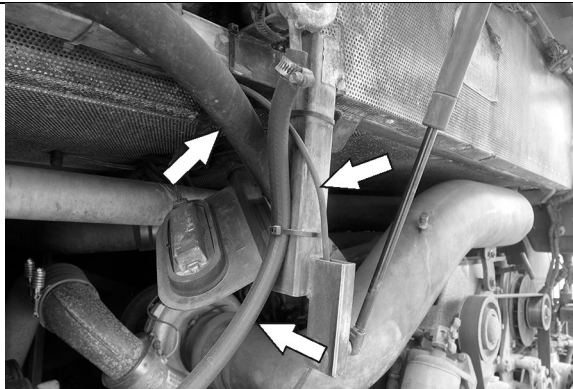


FIGURE 3

7. On the upper gas spring support structure, trace a line 1 3/8" from under the cross beam.
8. Cut the lower part of the gas spring support. Grind welds flat.

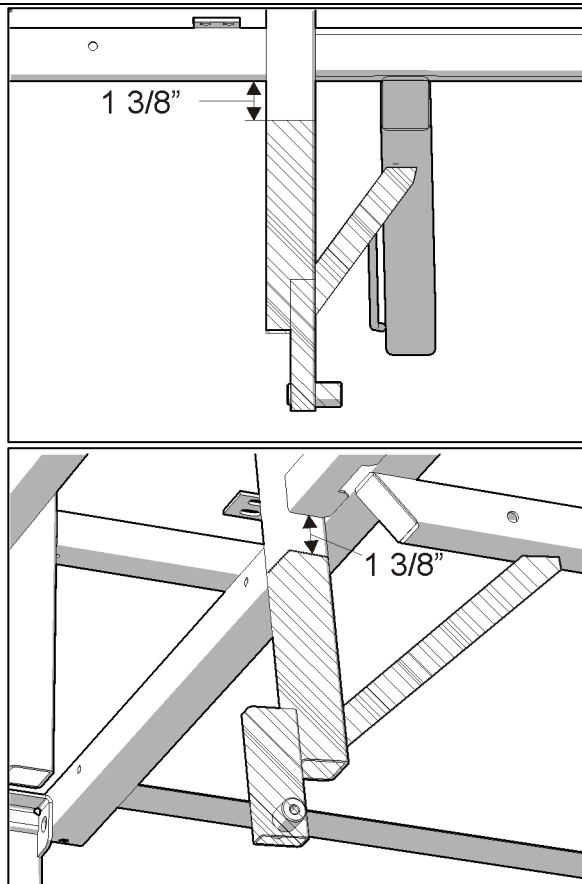


FIGURE 4

9. Place 289985 support on frame. Use as drilling template to mark holes.
10. Drill 1/4" holes.
11. Install with 5001636 M6 Screw; 502565 Nut; 502573 Washer.

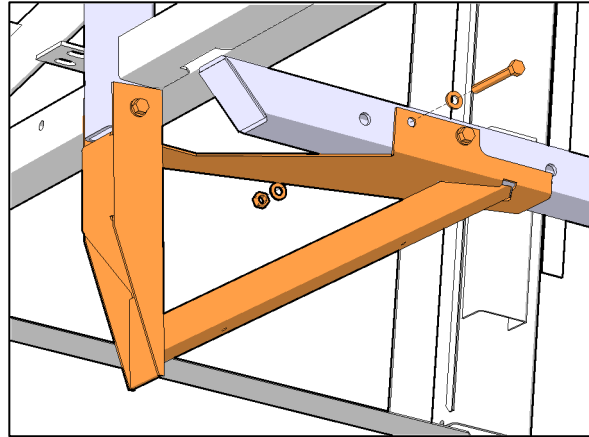


FIGURE 5

12. Re-install light support if present.
13. Re-install hoses and cables.

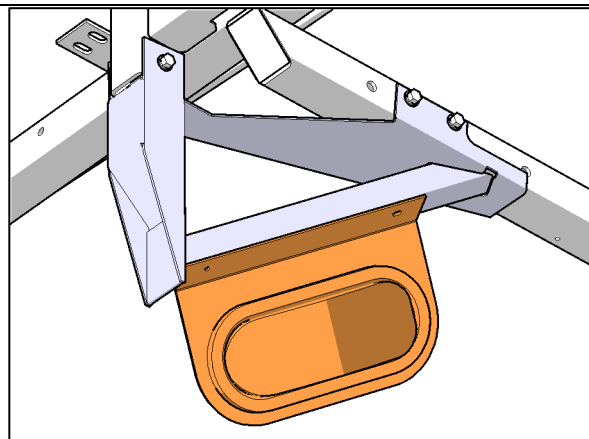


FIGURE 6

14. Install the upper end of the new stabilizer arm 289988 with hardware reserved earlier.

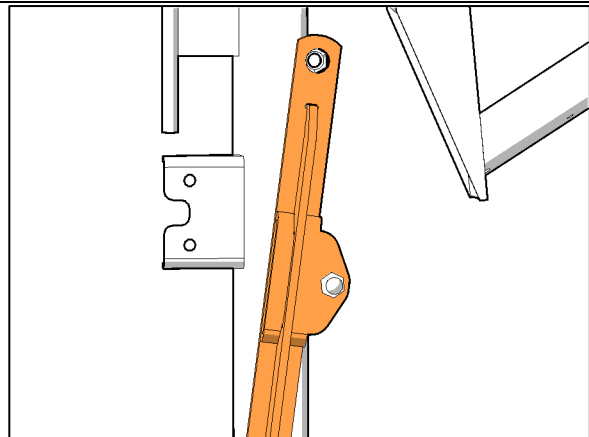


FIGURE 7

15. Place lower support 289992 on vertical beam and position so ball pins are 17.25" apart with stabilizer arm resting on lower support.
16. Mark rivet hole positions.

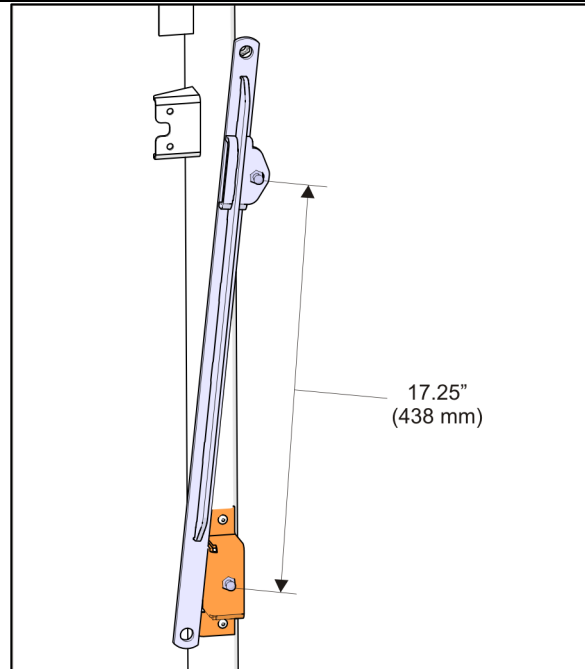


FIGURE 8

17. Install stabilizer arm on the door with reserved hardware.
18. Drill rivet holes, 4 positions.
19. Secure with 504488 rivets.

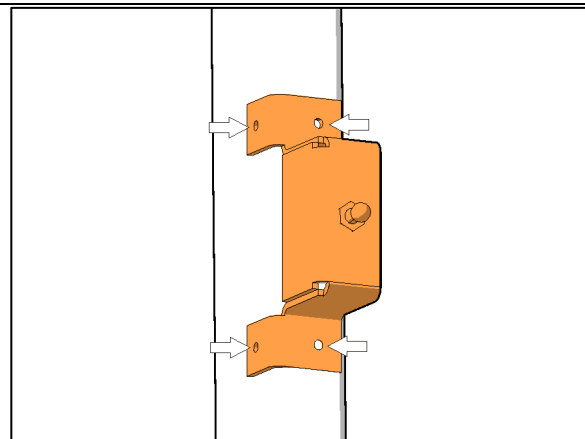


FIGURE 9

20. Install gas spring.

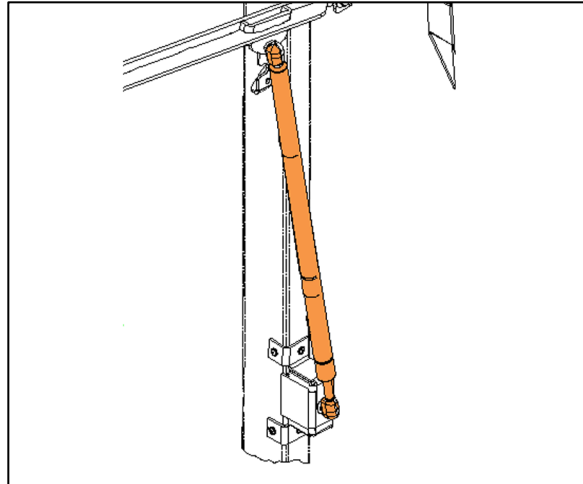


FIGURE 10

21. Test door operation.

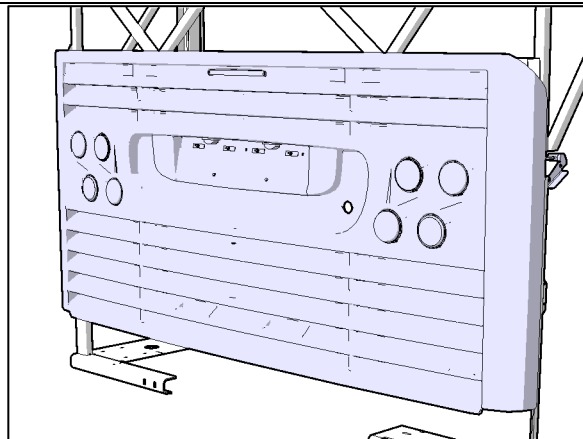


FIGURE 11

PARTS / WASTE DISPOSAL

Discard waste according to applicable environmental regulations (Municipal/State[Prov.]/ Federal)