



Technical Service Bulletin

SUBJECT:		No: TSB-19-54-007	
UPDATED FCM/LDW/AHB-ECU SENSOR CALIBRATION PROCEDURE - SERVICE MANUAL REVISION		DATE: March 2019	
		MODEL: 2017 Outlander	
CIRCULATE TO:	<input type="checkbox"/> GENERAL MANAGER	<input checked="" type="checkbox"/> PARTS MANAGER	<input checked="" type="checkbox"/> TECHNICIAN
<input checked="" type="checkbox"/> SERVICE ADVISOR	<input checked="" type="checkbox"/> SERVICE MANAGER	<input checked="" type="checkbox"/> WARRANTY PROCESSOR	<input type="checkbox"/> SALES MANAGER

PURPOSE

This TSB updates the Chassis Electrical section of the affected Service Manual, to update the FCM/LDW/AHB-ECU sensor calibration procedure.

AFFECTED VEHICLES

- 2017 Outlander

AFFECTED SERVICE MANUAL

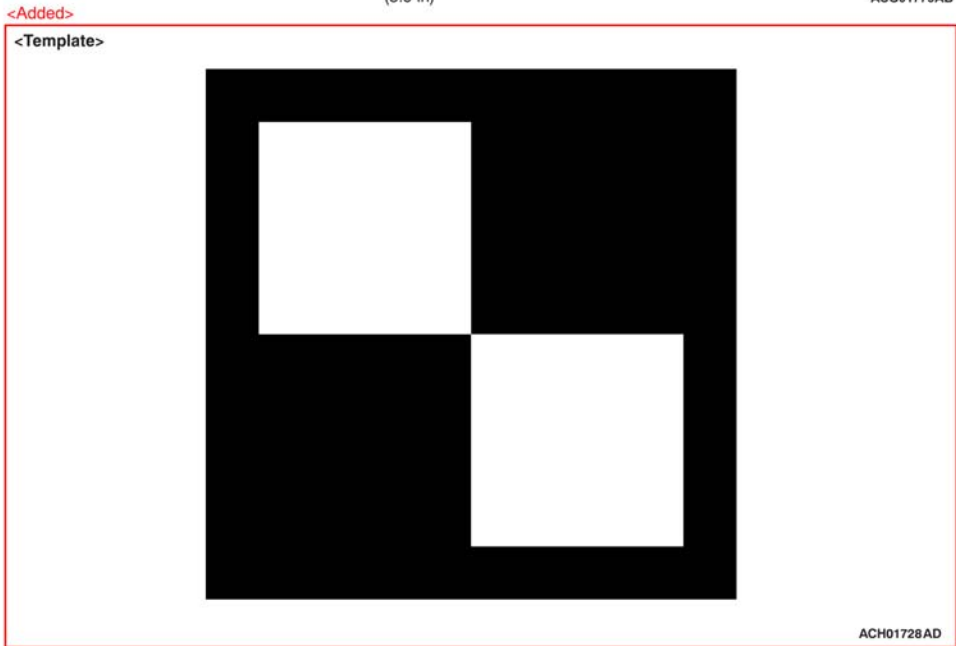
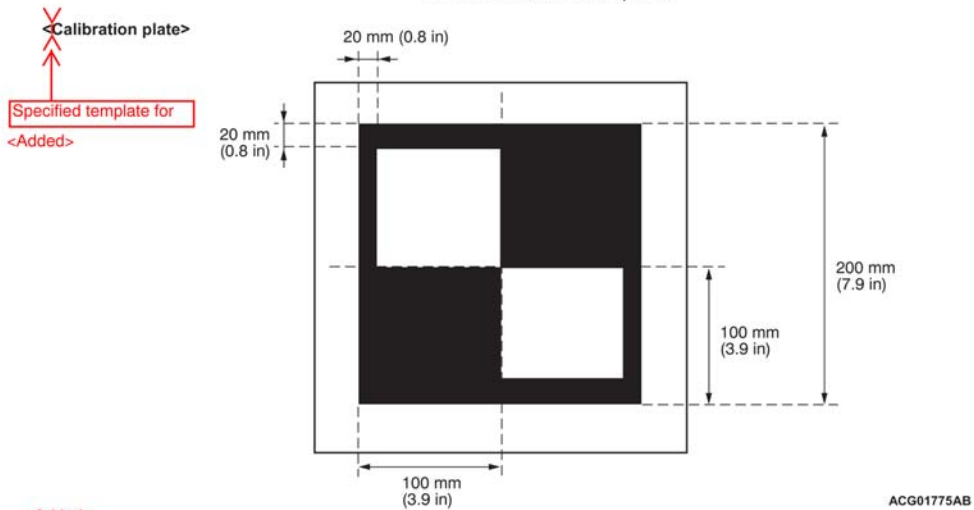
- 2017 Outlander Service Manual, Group 54-Chassis Electrical



Please make the indicated changes to the 2017 Outlander Service Manual, Group 54-Chassis Electrical -> FCM/LDW/AHB-ECU -> On-Vehicle Service -> FCM/LDW/AHB-ECU Sensor Calibration.

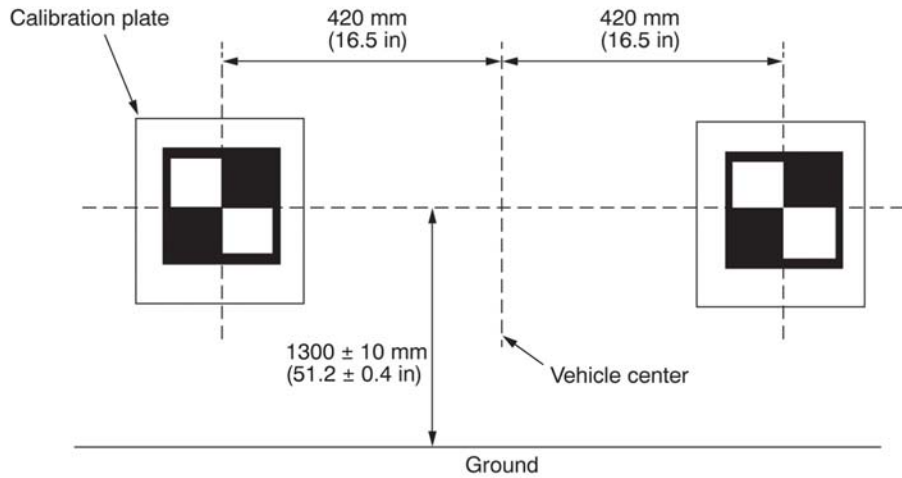
FCM/LDW/AHB-ECU SENSOR CALIBRATION

1. Place a calibration plate.



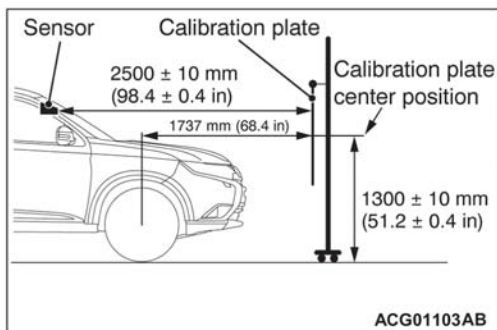
~~(1) Fabricate two calibration plate according to dimensions shown in illustration.~~

Fabricate two calibrate plates or print templates so that they meet the specified dimension.
NOTE: When you use the templates, check whether they meet the specified dimension. If not, adjust the print scale and print them again.



ACG01776AB

(2) Place them as shown.



(3) Place the calibration plate and the vehicle as shown.

Calibration plate position

<Old>

- ~~Distance between the sensor on the FCM/LDW/AHB-ECU and the calibration plate~~ 2500 ± 10 mm (98.4 ± 0.4 in)
- [Distance between the center of the front axle and the calibration plate: 1737 mm (68.4 in)]
- Dimension (height) between the floor and the center of the calibration plate: 1300 ± 10 mm (51.2 ± 0.4 in)

<New>

Distance from the edge of the FCM/LDW/AHB-ECU sensor to the calibration plate