



HYUNDAI Technical Service Bulletin

GROUP
Body Electrical

NUMBER
19-BE-004H

DATE
March, 2019

MODEL(S)
VARIOUS

SUBJECT: OUTSIDE MIRROR ASSEMBLY SERVICEABLE PARTS

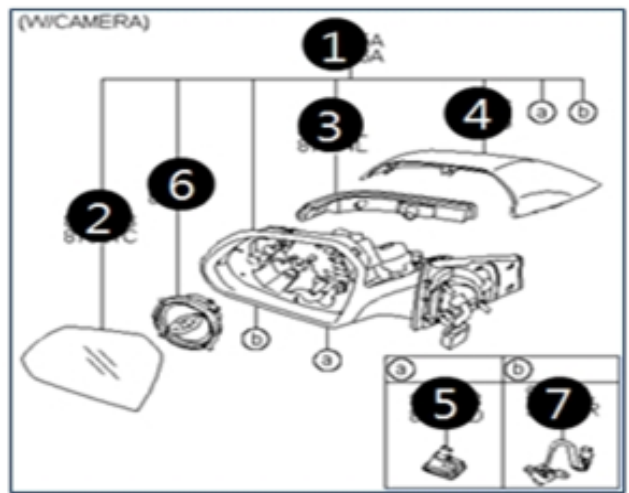
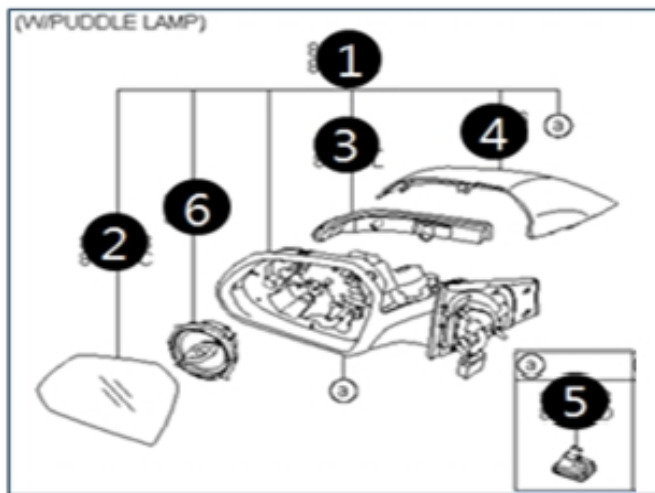
This TSB supersedes 18-BE-017-2 to modify the Parts Information section and to also include Equus model.

Description: This bulletin provides information on the serviceable parts for the outside mirror assembly. When diagnosing and repairing the outside mirror, do not replace the entire assembly. Refer to page 2 of this TSB for replacement of individual parts.

Applicable Vehicles: Multiple Models – See table on Page 2.

Parts Information:

Partial Parts of Outside Mirror Assembly



- 1. Outside Mirror Assembly
- 2. Mirror
- 3. Outside Mirror Lamp

- 4. Mirror Scalp Cover
- 5. Puddle Lamp
- 6. Mirror Actuator
- 7. Side View Camera (SVM)

Model (Model Year)	Mirror	Mirror Actuator	Scalp Cover*	Outside Mirror Lamp	Puddle Lamp	SVM Camera
Accent (2012 – 2017)	•	•	X	•	NO OPTION	NO OPTION
Azera (2012 – 2017)	•	•	X	X	X	X
Elantra – 5NP (2017 -)	•	X	•	X	NO OPTION	NO OPTION
Elantra - KMH (2017 -)	•	•	•	X	NO OPTION	NO OPTION
Elantra GT (2018 -)	•	•	X	•	NO OPTION	NO OPTION
Equus (2010 – 2013)	•	X	X	•	•	NO OPTION
Equus (2014 – 2016)	•	X	X	•	•	•
Genesis Coupe (2010 – 2016)	•	•	X	X	NO OPTION	NO OPTION
Genesis (2015 – 2016)	•	•	X	X	•	•
Ioniq (2017-)	•	•	•	•	NO OPTION	NO OPTION
Kona (2018 -)	•	•	X	X	NO OPTION	NO OPTION
Santa Fe (2013 – 2018)	•	X	•	•	X	X
Santa Fe Sport (2013 – 2018)	•	X	•	•	X	X
Santa Fe (2019 -)	•	X	•	•	X	X
Sonata (2015 – 2018)	•	•	X	•	NO OPTION	NO OPTION
Sonata Hybrid (2015 – 2018)	•	•	•	•	NO OPTION	NO OPTION
Tucson (2016 – 2018)	•	•	•	•	•	X
Veloster (2012 – 2017)	•	•	X	•	NO OPTION	NO OPTION
Veloster (2019 -)	•	•	X	X	NO OPTION	NO OPTION
Veracruz (2007 – 2012)	•	X	X	•	•	NO OPTION

NOTICE

- (“•” : Replaceable part, “X”: Non-replaceable part)
- *If clips and hooks of scalp cover are damaged or broken, replace the scalp cover with a new one.

Warranty Information:

- Normal warranty applies; refer to the WebDCS Labor Time Standards section to determine OP Code and Time.

SERVICE PROCEDURE FOR PARTIAL PARTS OF OUTSIDE MIRROR ASSEMBLY:

- Refer to the applicable service shop manual in the “Body Electrical System” section for repairs.