



LTB01089NAS2

TECHNICAL BULLETIN

20 FEB 2019

© Jaguar Land Rover North America, LLC

NOTE: The information in Technical Bulletins is intended for use by trained, professional Technicians with the knowledge, tools, and equipment required to do the job properly and safely. It informs these Technicians of conditions that may occur on some vehicles, or provides information that could assist in proper vehicle service. The procedures should not be performed by 'do-it-yourselfers'. If you are not a Retailer, do not assume that a condition described affects your vehicle. Contact an authorized Land Rover service facility to determine whether this bulletin applies to a specific vehicle.

INFORMATION

This reissue replaces all previous versions. Please destroy all previous versions.

Changes are highlighted in blue

SECTION:

415-00: Information and Entertainment System

SUBJECT/CONCERN:

Steering Wheel / Speed Control Switches and Paddle Shifters Inoperative

AFFECTED VEHICLE RANGE:

MODEL:	MODEL YEAR:	VIN:	ASSEMBLY PLANT:
---------------	--------------------	-------------	------------------------

MODEL:	MODEL YEAR:	VIN:	ASSEMBLY PLANT:
Range Rover Evoque (LV)	2016	077912-150502	Halewood

MARKETS:

NORTH AMERICA

CONDITION SUMMARY:

SITUATION:

The steering wheel right control switch and/or paddle shifters may be inoperative and navigation of the Instrument Cluster menu using the steering wheel controls is not possible. The warning message 'Manual Shift Disabled' will also be displayed in the Instrument Cluster.

CAUSE:

This may be caused by component failure of the steering wheel right control switch.



ACTION:

Should a customer express this concern, follow the Diagnostic Procedures, Workshop Procedure, and Service Instruction below.

PARTS:

PART NUMBER	DESCRIPTION	QUANTITY
LR087451	Steering wheel control switch	1
LR087450	Steering wheel control switch - With adaptive speed control	1
LR054614	Nyogel electrical contact lubricant	1

TOOLS:

 <p>E192494</p>	<p>Jaguar Land Rover-approved Midtronics battery power supply</p>	 <p>E179225</p>	<p>Jaguar Land Rover-approved diagnostic tool with latest SDD software, Calibration File</p>
--	---	---	--

WARRANTY:

NOTES:

- Repair procedures are under constant review, and therefore times are subject to change; those quoted here must be taken as guidance only. Use TOPIx to obtain the latest repair time.
- The JLR claims submission system requires the use of causal part numbers. Labor only claims must show the causal part number with a quantity of zero.

DESCRIPTION	SRO	TIME (HOURS)	CONDITION CODE	CAUSAL PART
Steering wheel right control switch - Renew	57.61.02	0.2	42	LR071304
Diagnostic Procedures 1 and 2	86.91.23	0.2	42	LR071304
Vehicle road test	05.10.10	0.1	42	LR071304

NOTE:

Normal Warranty procedures apply.

DIAGNOSTIC PROCEDURE 1:

- 1 Connect the Jaguar Land Rover-approved battery power supply to the vehicle battery.

2

 **NOTE:**

The Jaguar Land Rover-approved diagnostic tool must be loaded with DVD155.06 Calibration File 311 (or later).

Connect the Jaguar Land Rover-approved diagnostic tool to the vehicle and begin a new session.

3

Follow all on-screen instructions.

4

Read the DTC (Diagnostic Trouble Code).

- If DTC B1380-87 and/or U2013-08 **are not** stored, **do not continue with this Technical Bulletin.**
 - Submit a Technical Assistance (TA) request as the customer's concern is not related to the information within this Technical Bulletin.
- If DTC B1380-87 and/or U2013-08 **are** stored, go to the Workshop Procedure below.

5

Clear the DTCs.

- 1 When all tasks are complete, go to the next Step.

6

Exit the current session.

- 1 Select the **Session** tab.
- 2 Select the **Close Session** option.

7

Disconnect the diagnostic tool and battery power supply from the vehicle.

WORKSHOP PROCEDURE:

1

Remove the driver airbag (see TOPIx Workshop Manual section 501-20B: Supplemental Restraint System - Driver Airbag Module)

 NOTE:

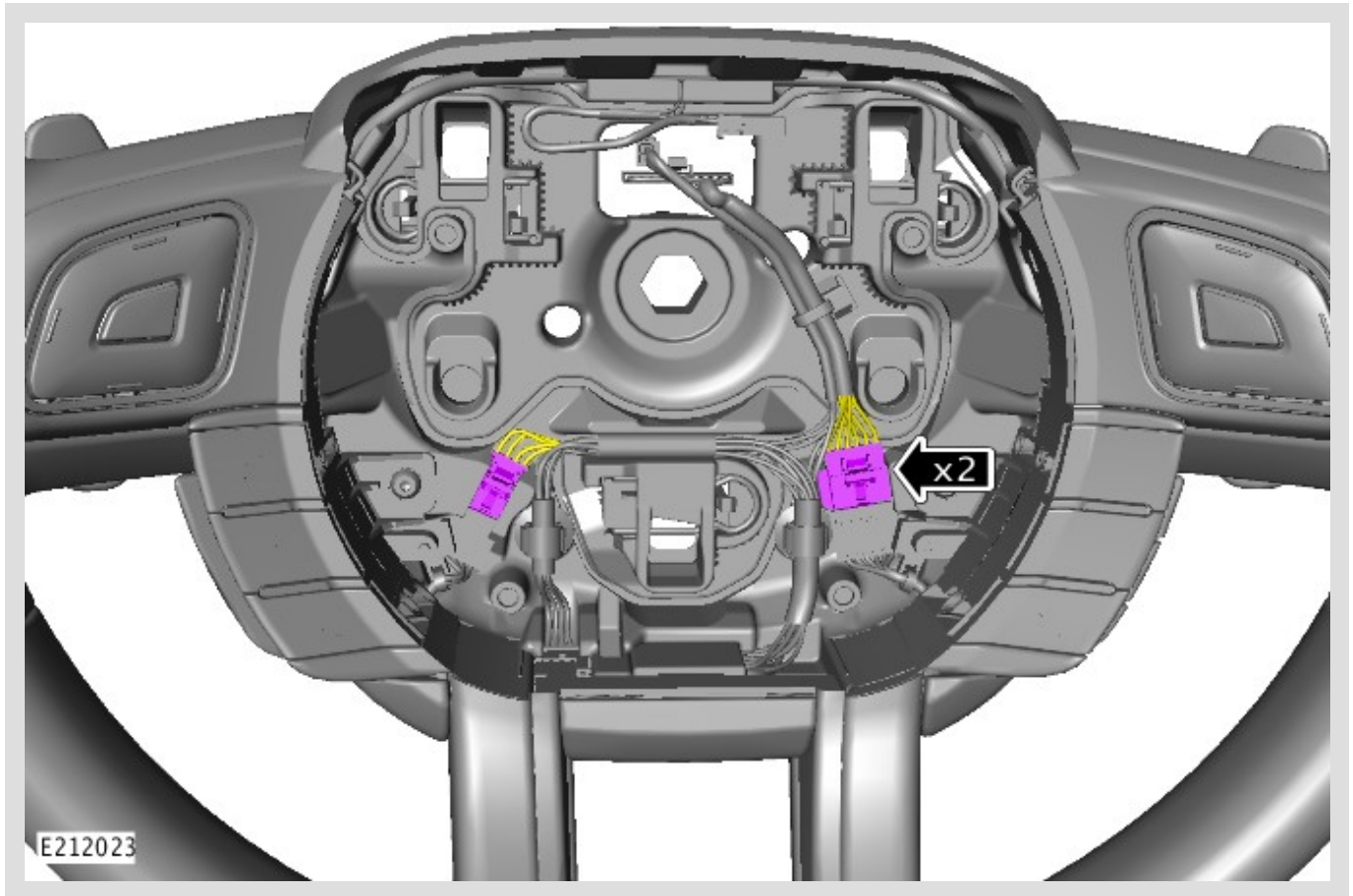
Switch shown removed from the vehicle for illustration purposes only.



Confirm the part number (on the label) of the existing steering wheel right control switch.

- If the part number on the steering wheel right control switch is GJ32-13D767-HA or GJ32-13D767-JA, **do not continue with this Technical Bulletin.**
 - Submit a TA (Technical Assistance) request as the customer's concern is not related to the information within this Technical Bulletin.
- If the part number on the steering wheel right control switch is GJ32-13D767-FA or GJ32-13D767-GA, go to Step 3.

3

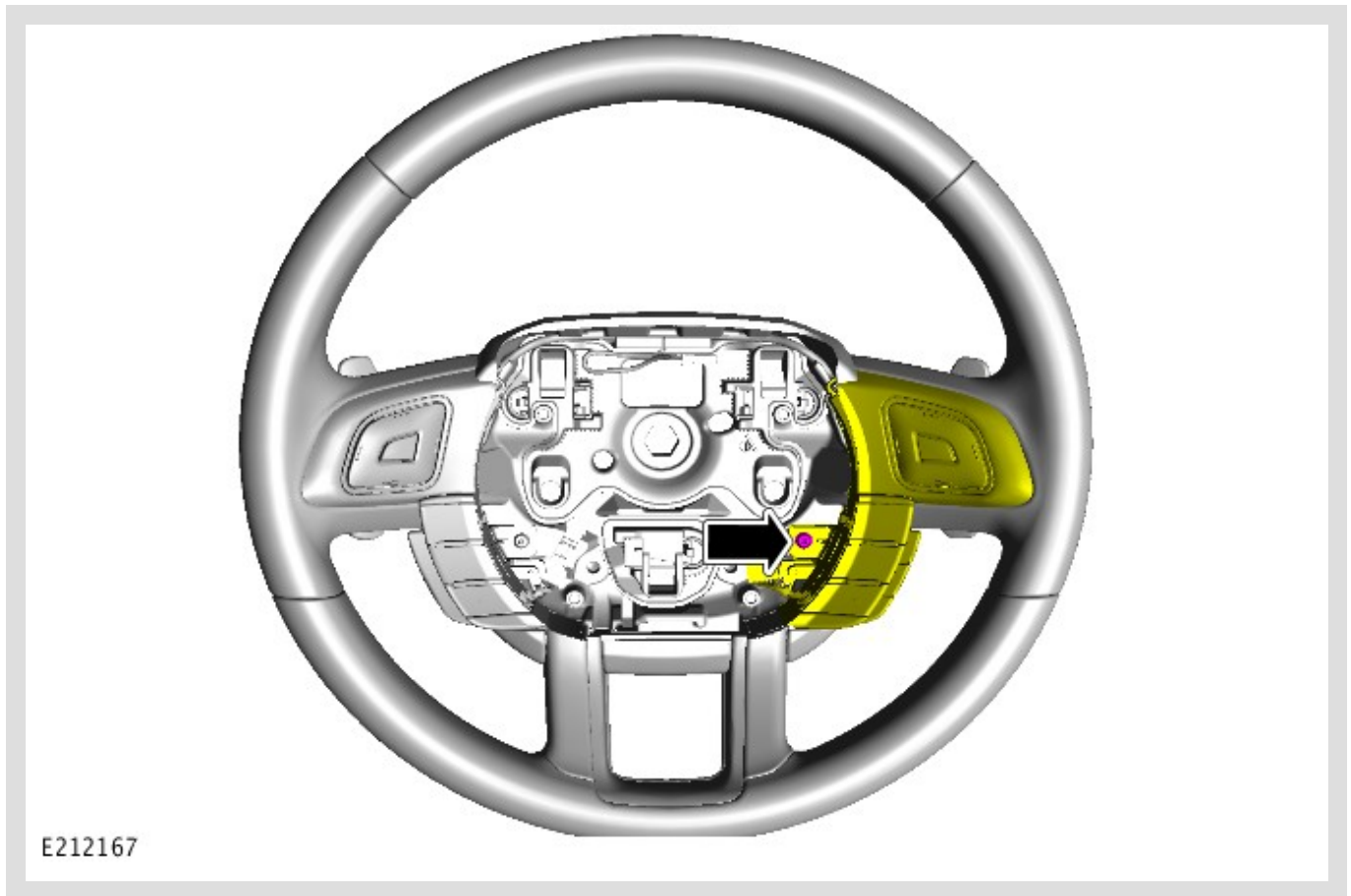


Disconnect the steering wheel right control switch lower electrical connector and the steering wheel left control switch lower electrical connector.

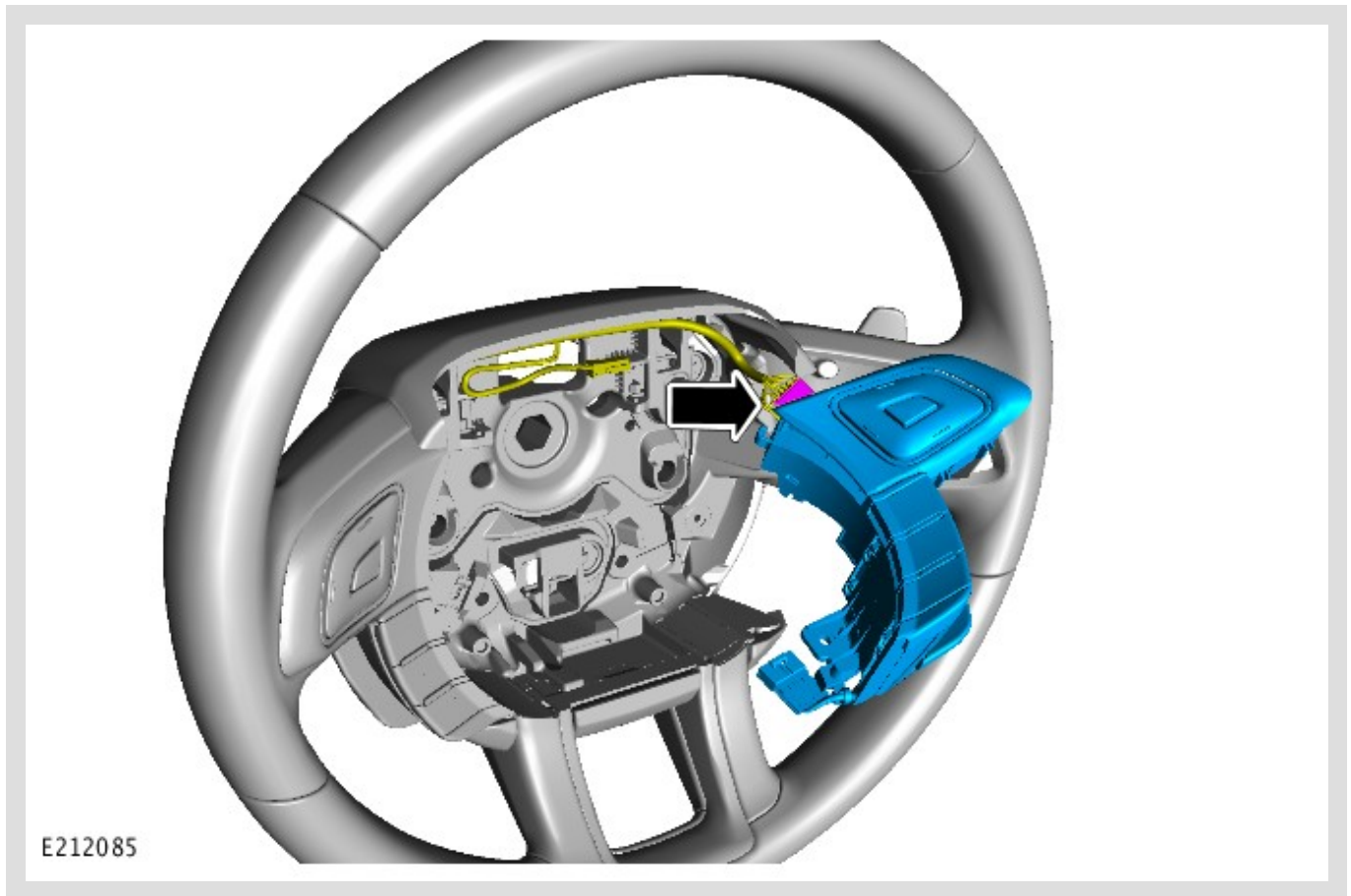


E212022

Remove the right paddle shifter fastener and position the right paddle shifter to one side. Do not disconnect the paddle shifter electrical connector.

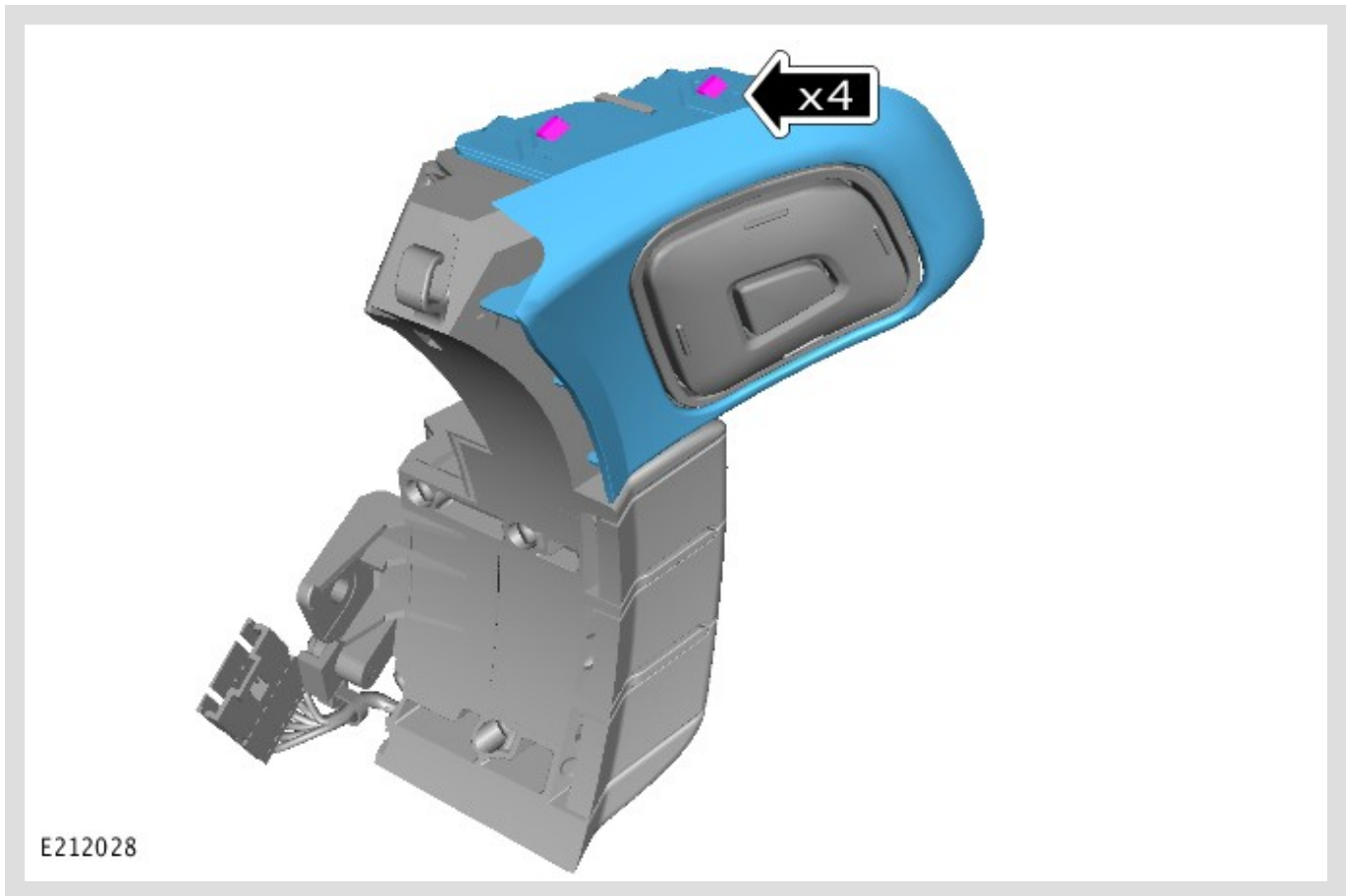


Remove the steering wheel right control switch fixing and position the steering wheel right control switch to the side.



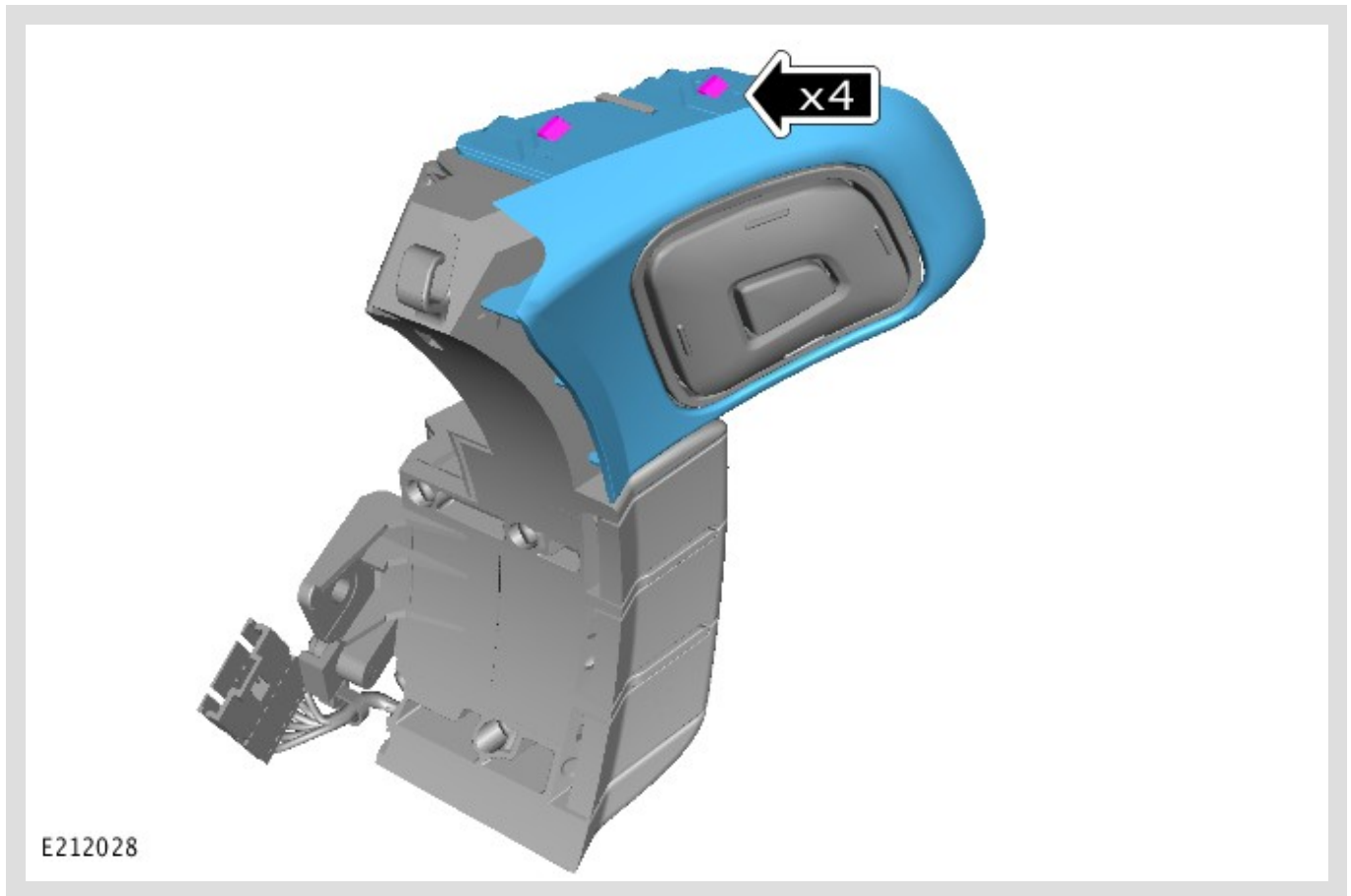
Disconnect the steering wheel right control switch upper electrical connector.

7



Remove the bezel trim from the existing steering wheel right control switch.

8

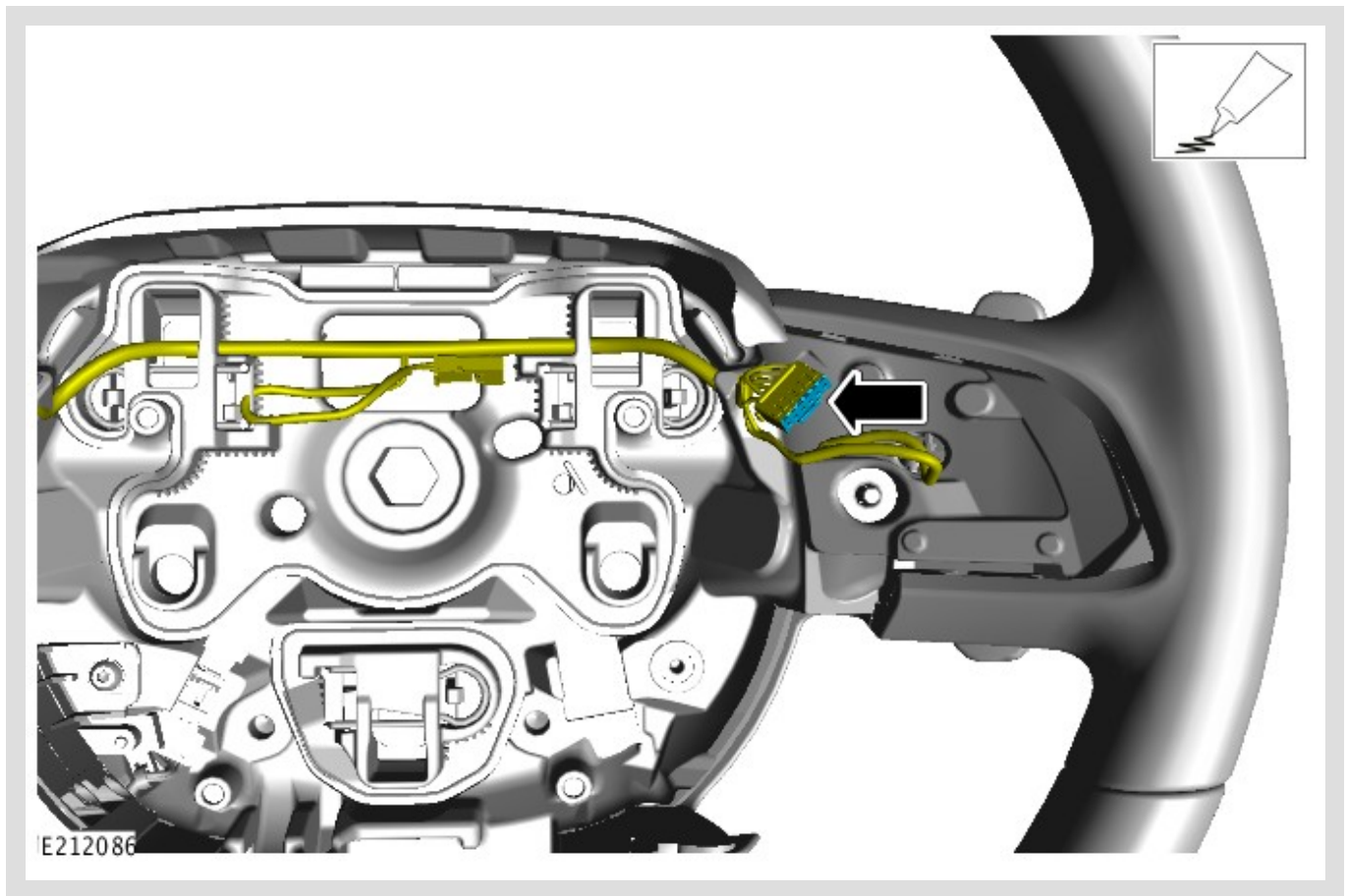


Install the existing bezel trim to the new steering wheel right control switch.

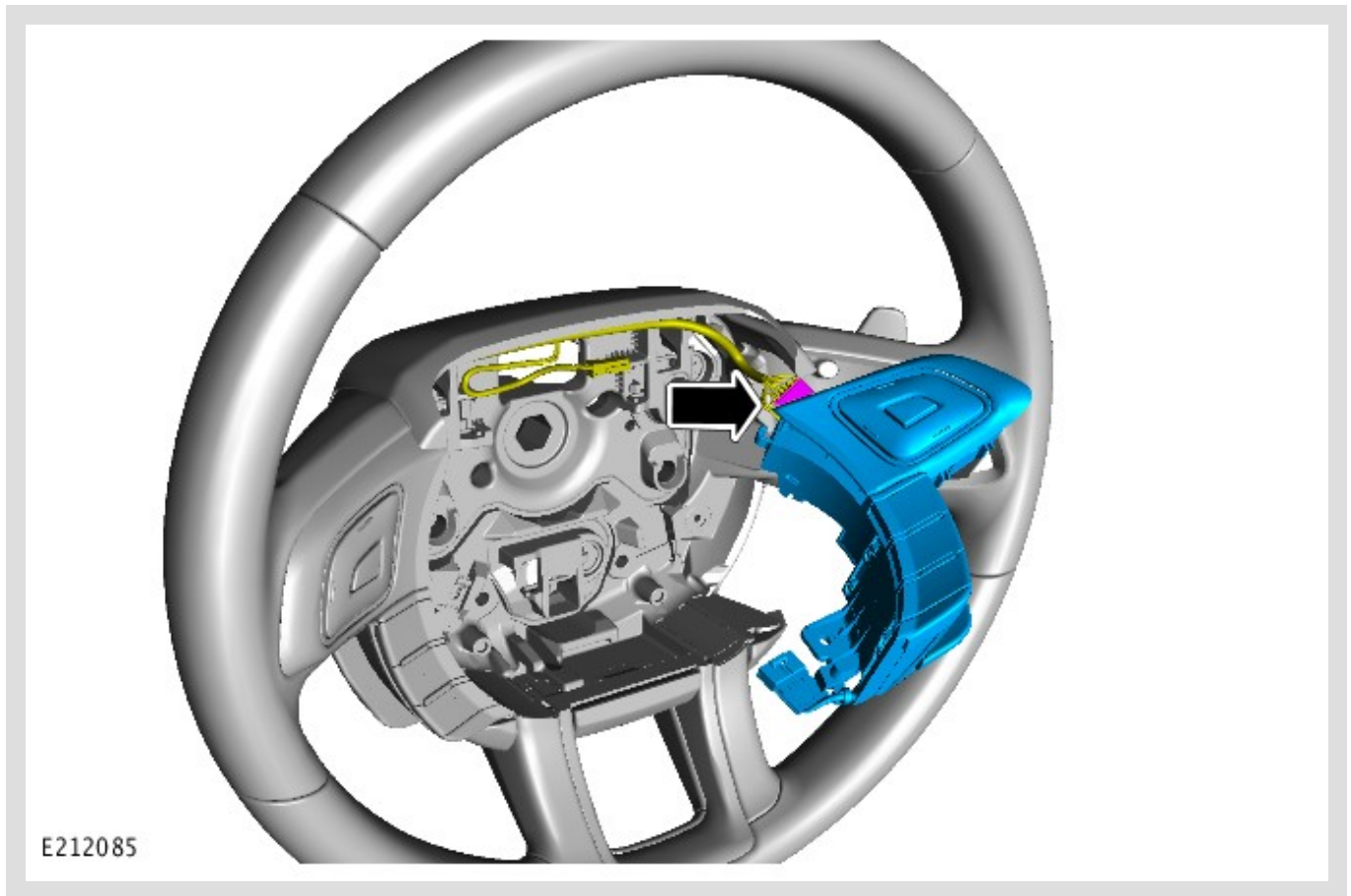
9

NOTES:

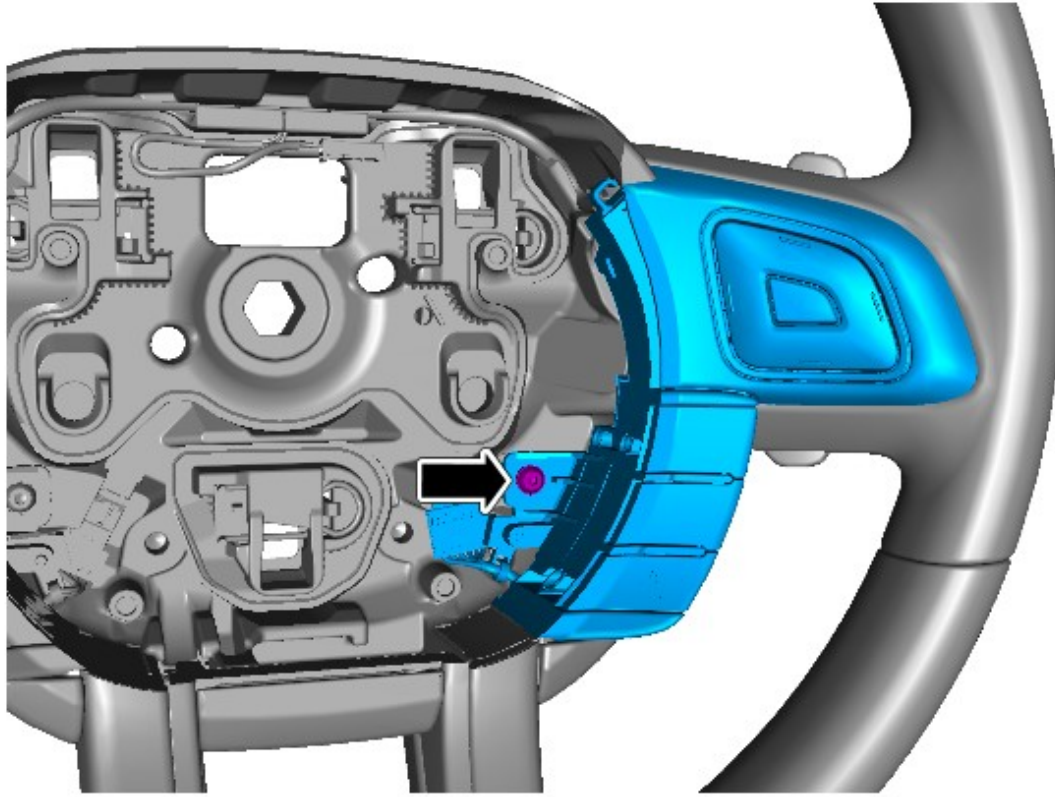
- Make sure there is an even covering of Nyogel on the contact surface.
- Remove any excess Nyogel.



Apply the Nyogel to the front of the steering wheel right control switch upper electrical connector.



Connect the steering wheel right control switch upper electrical connector to the new steering wheel right control switch.



E212026

Install the new steering wheel right control switch.

12

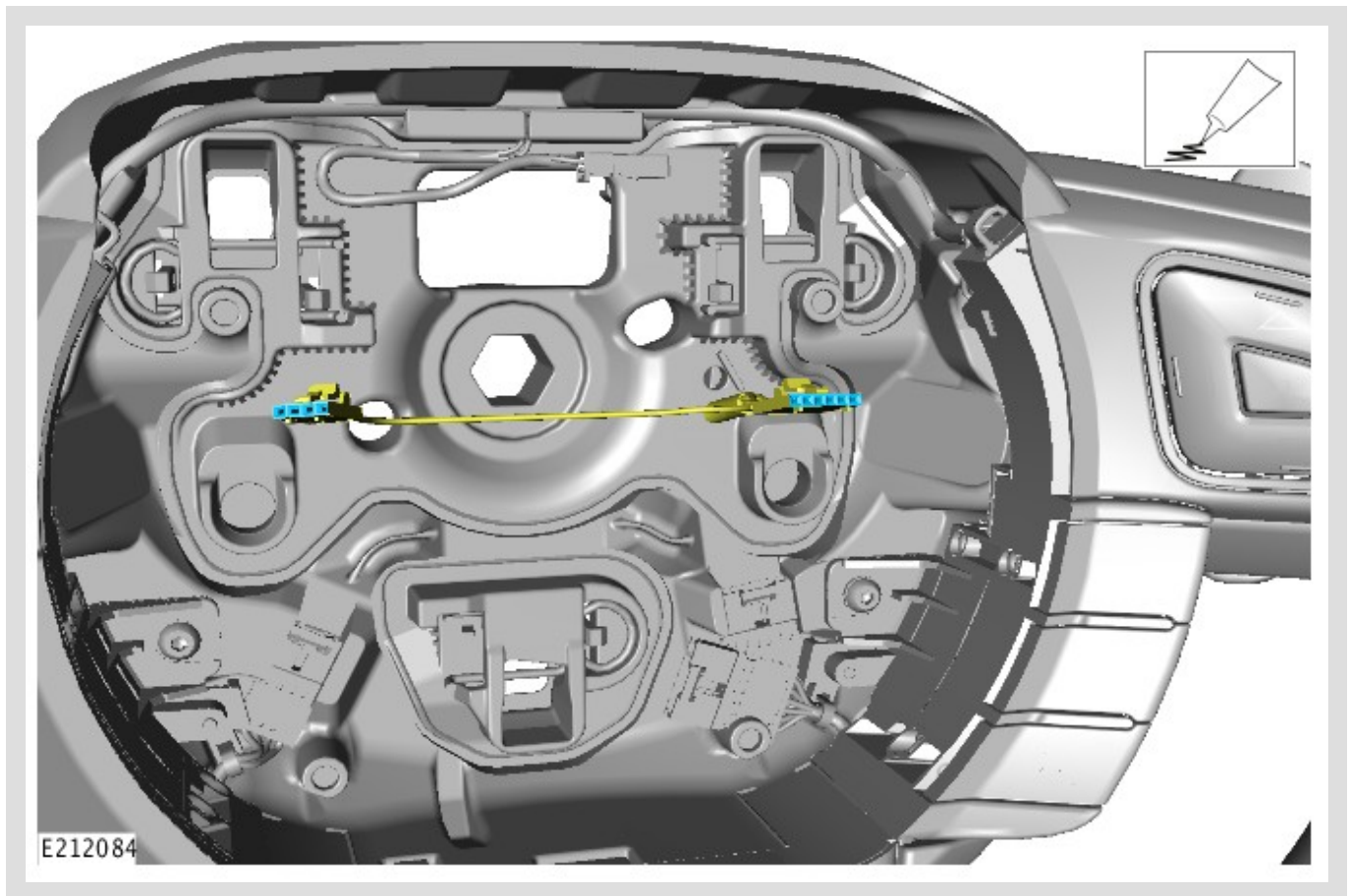


Install the right paddle shifter.

13

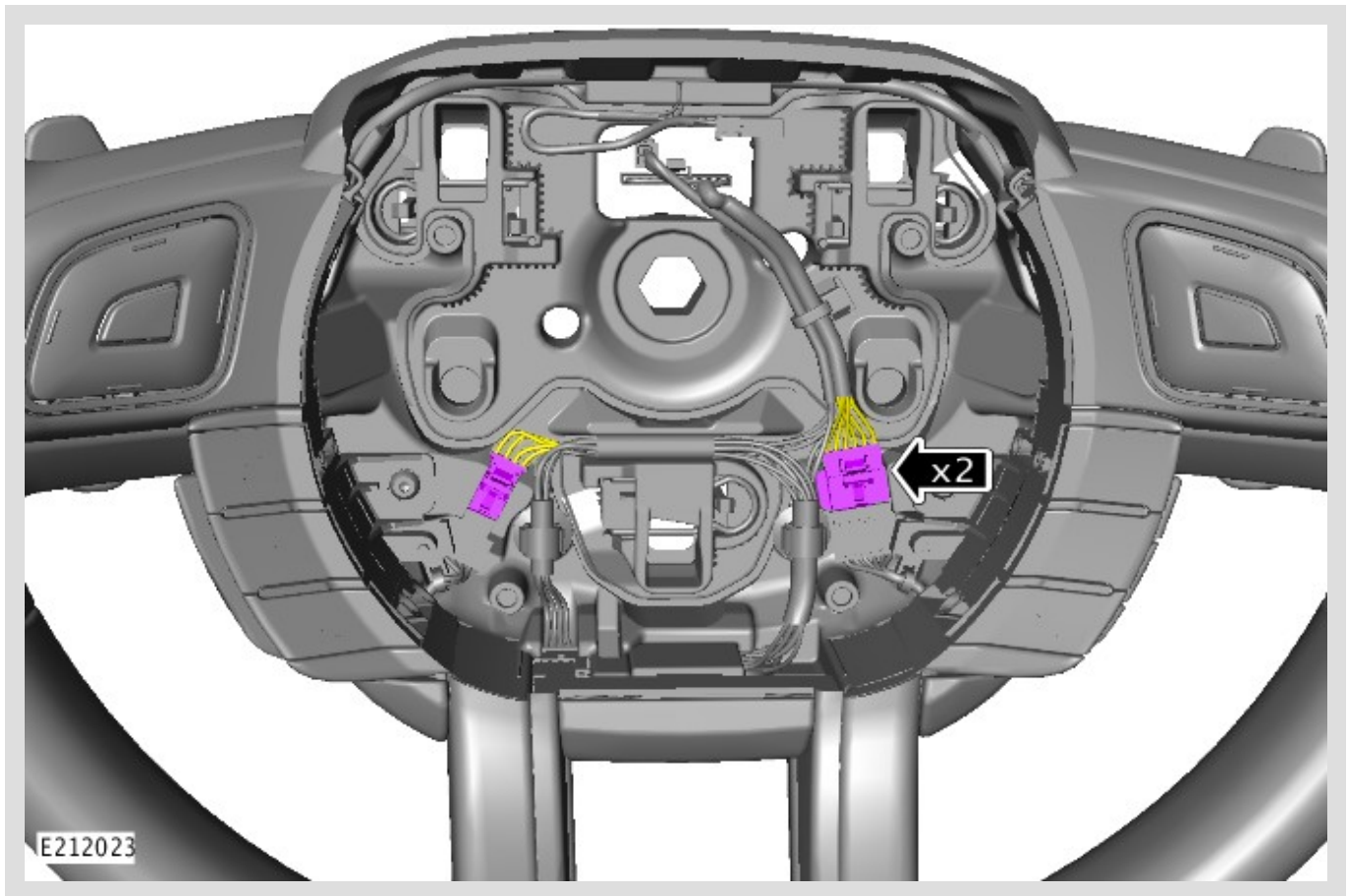
 **NOTES:**

- Make sure there is an even covering of Nyogel on the contact surface.
- Remove any excess Nyogel.



Apply the Nyogel to the front of the steering wheel left control switch lower electrical connector and the front of the steering wheel right control switch lower electrical connector.

14



Connect the steering wheel right control switch electrical connector and the steering wheel left control switch electrical connector.

- 15 Install the driver airbag (see TOPIx Workshop Manual section 501-20B: Supplemental Restraint System - Driver Airbag Module)

DIAGNOSTIC PROCEDURE 2

- 1 Connect the Jaguar Land Rover-approved battery power supply to the vehicle battery.

2 **NOTE:**

The Jaguar Land Rover-approved diagnostic tool must be loaded with DVD155.06 Calibration File 311 (or later).

Connect the Jaguar Land Rover-approved diagnostic tool to the vehicle and begin a new session.

3 Follow all on-screen instructions.

4 Read the **DTC**.

- If **DTC** B1380-87 and/or U2013-08 **are** stored, **do not continue with this Technical Bulletin.**
 - Submit a Technical Assistance (TA) request.
- If **DTC** B1380-87 and/or U2013-08 **are not** stored, go to Step 5.

5 Exit the current session.

- 1 Select the **Session** tab.
- 2 Select the **Close Session** option.

6 Disconnect the diagnostic tool and battery power supply from the vehicle.

SERVICE INSTRUCTION:

1 Road test the vehicle and check the operation of the paddle shifters and steering wheel right control switch.

- If the paddle shifters and the steering wheel right control switch operate correctly, return the vehicle to the customer.
- If the paddle shifters and/or the steering wheel right control switch operate incorrectly, submit a Technical Assistance (TA) request.