



Quick tip

Version 1.2

February 25th, 2019

Title: Remote start with extended range

(Only applies to 2019 Tiguan LWB, Jetta, GLI built after CW36/18, Atlas built after CW42/2018)



Remote start kit part number: 3CN065760

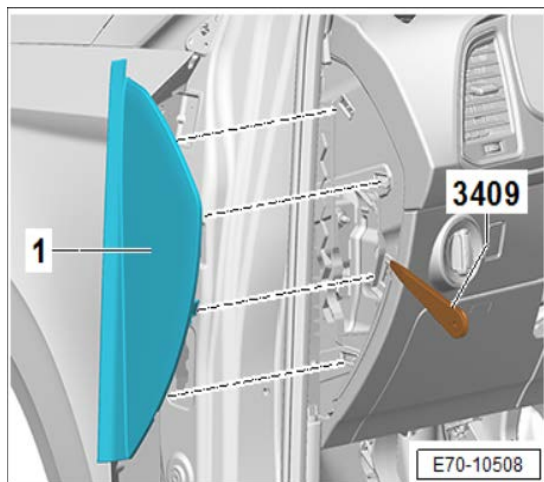
Plus

Extended range kit part number: 000065760

Important notes: Only one (1) extended range fob can be programmed to the system at a time. If additional remote start keys are desired, factory standard range remote start key part number 3G0937048 and emergency key part number 3G0959752T DTB must be used. These keys must be ordered with the correct VIN.

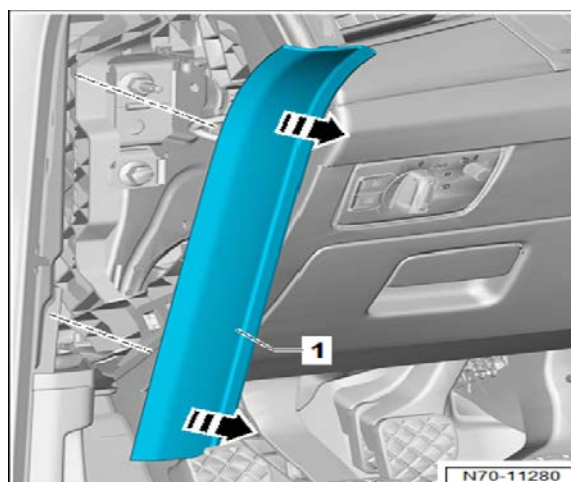
Always check ETKA for the latest part numbers.

Note: Only applies to 2019 Tiguan LWB, Jetta, GLI built after CW36/18, Atlas built after CW42/2018.



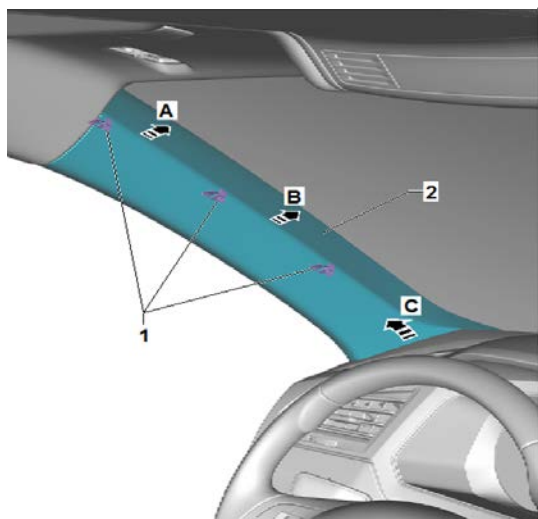
Step 1:

- Bend the door seal molding outward in the instrument panel cover area.
- Pry out the instrument panel side cover -1- with the -3409- near the catches.
- Pull the cover toward the rear and remove it.



Step 2:

- Unclip the A-pillar gap cover -1- from the A-pillar upper trim panel and A-pillar lower trim panel -arrows-.
- Loosen the A-pillar gap cover -1- from the door seal molding and remove it upward.



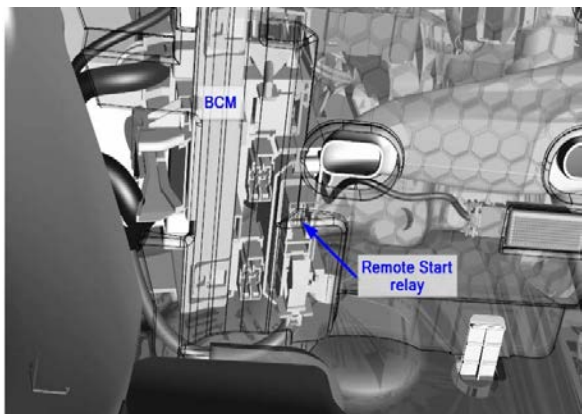
Step 3:

- Starting at the top, carefully loosen the A-pillar trim panel -2- with the -3409- near the clips -1- from the body mounts -arrow A- and -arrow B-.
- Pull the A-pillar trim panel -2- upward out of the instrument panel -arrow C-.
- Disconnect the connectors, if equipped.
- Remove the A-pillar upper trim panel -2-.
- **Note:** Inspect and replace the fasteners if necessary, part numbers 5NA867276B (x2) and 5G0867276A (x1).



Step 4:

- Remove fuse panel cover.



Step 5:

- Locate the Relay labeled -548- and remove it.
- Install the new Relay labeled -526- (comes in the Box).



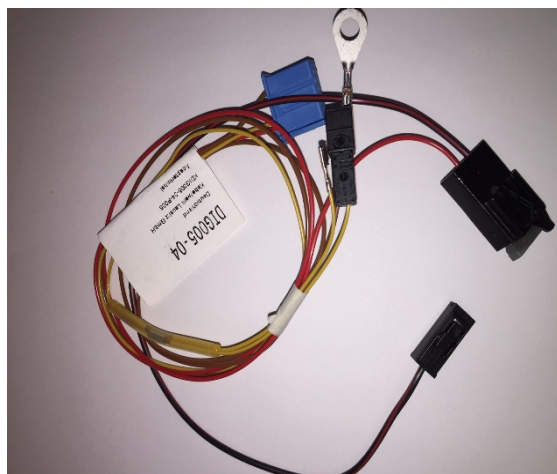
Step 6:

- Locate fuse 49
- Remove and discard.



Step 7:

- Insert red wire into the fuse holder.
- Insert black/red wire into fuse holder.
- Insert the 2-amp fuse into the fuse holder.
- Insert the red/black wire into the connector.





Step 8:

- Use a cable tie and secure the module at the base of A-pillar.



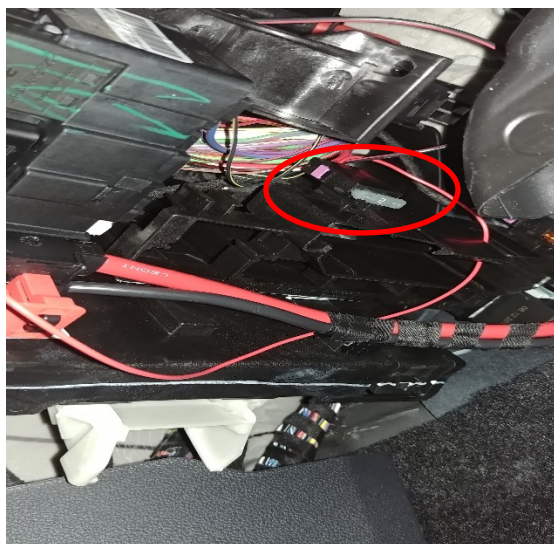
Step 9:

- Route ground wire behind lower A-pillar trim and connect to the chassis ground location under the carpet near the base of A-pillar.
- Torque nut to 9Nm.



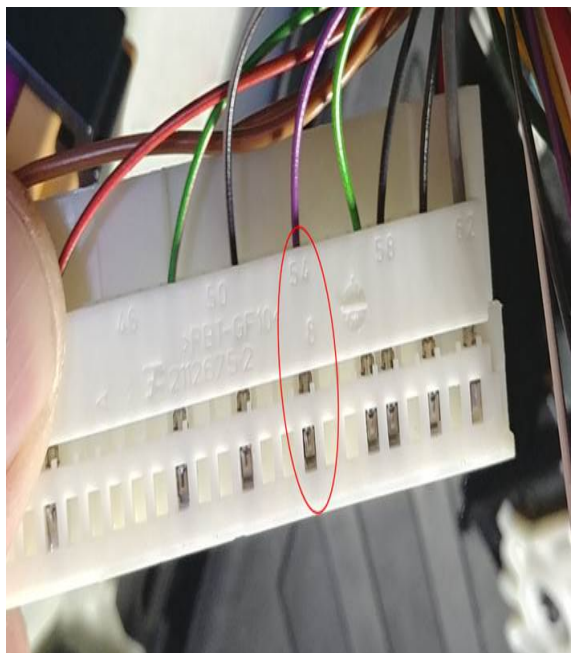
Step 10:

- Insert the power wire in any open location shown above.



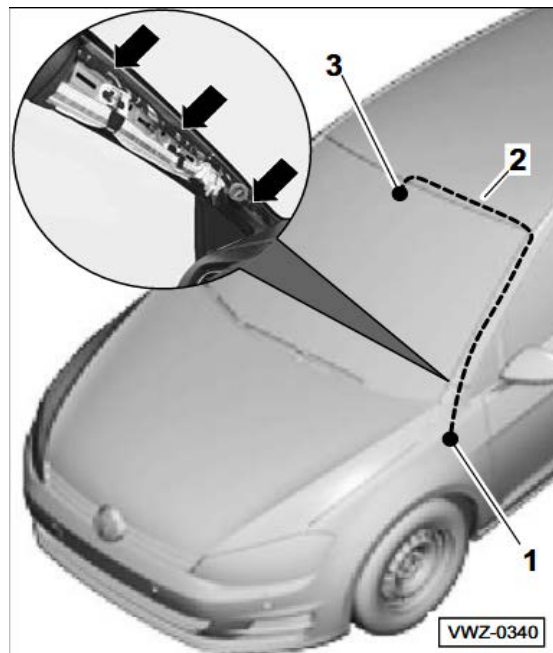
Step 11:

- Mount the fuse holder to the bracket on the side of the relay panel.



Step 12:

- On white BCM connector, insert line wire from kit into location 54.
- **Note:** If there is already a wire in this location use the provided splice connector.



Step 13:

- Route the antenna cable (supplied in the kit) -2- vertically on the left hand side of the mirror mount up to the headliner.
- Tuck the cable behind the headliner and down the "A" pillar and connect it to the module.
- Use the small wire ties -arrows- to secure the cable to the factory harness located within the "A" pillar.

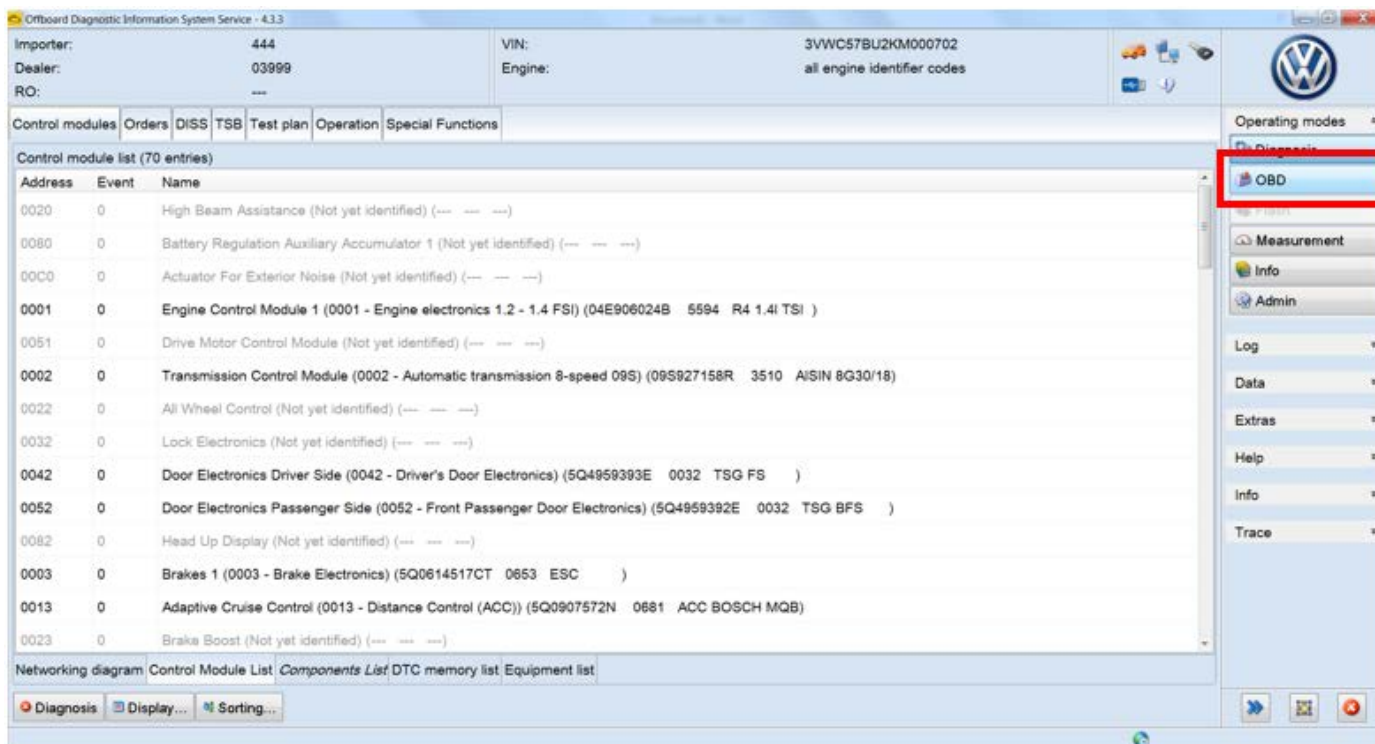
Step 14:

- Reinstall all trim panels and the BCM connector that was previously removed.



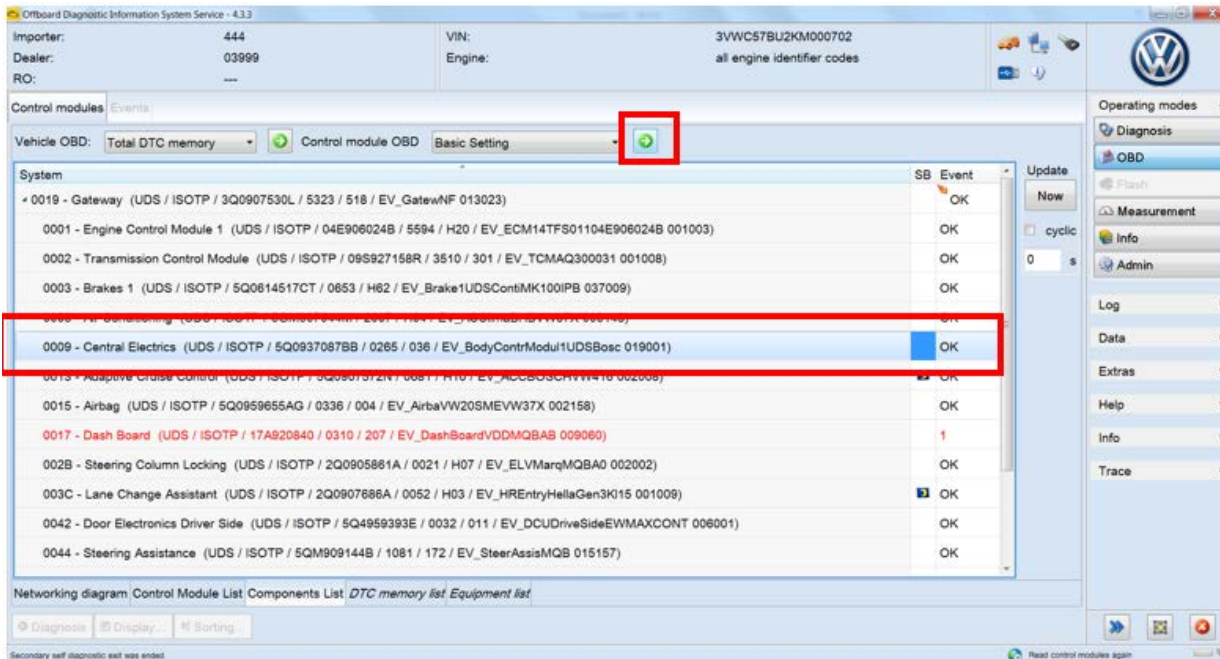
Step 15:

- Connect battery charger/maintainer.
- Connect scan tool.
- Scan the vehicle using GFF.
- Select Special Functions / Adapting software.
- Select Option 2 and enter SVM code 4196 (Jetta 1.4 TSI), SVM code 3FBD for (AtlasVR6) engines to update ECM. **No action is required for vehicles with 2.0 TSI engines.**
- Select Special Functions / Adapting software.
- Select Adapting Software and Option 4 (conversion retrofit with license protection).
- Enter the SWAP keys located in pamphlet provided in remote start kit.
- Select Special Functions / Adapting software.
- Select Adapting Software and Option 2 again. Enter SVM code 425D to update BCM.



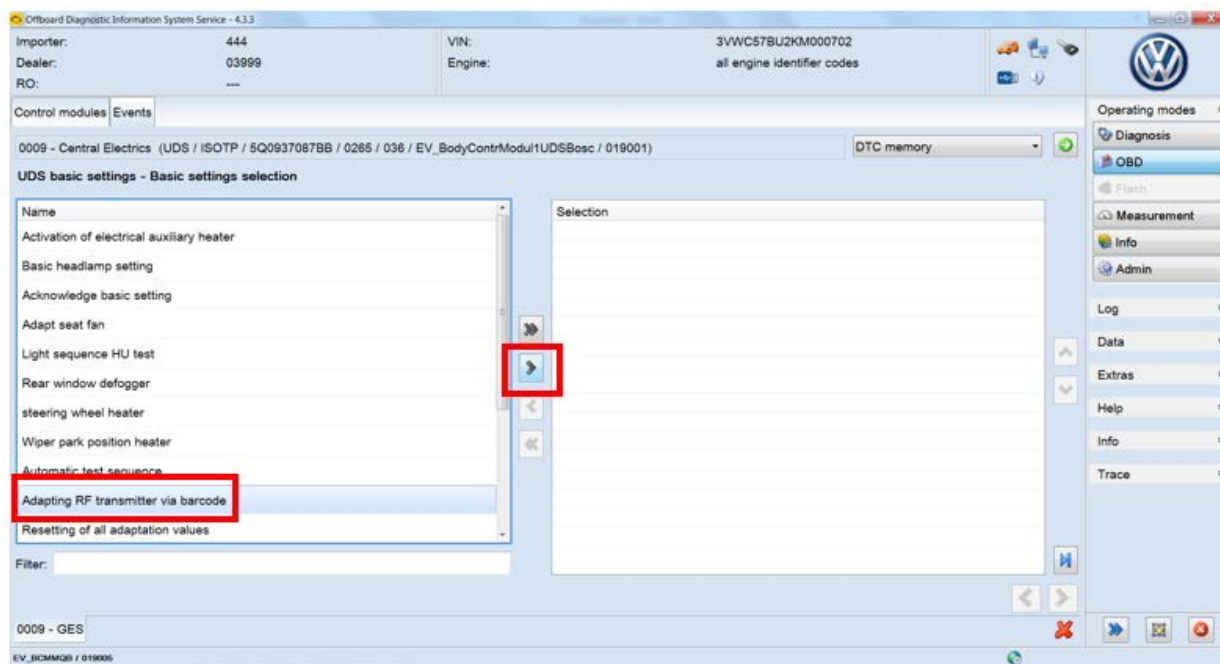
Step 16:

- Select "OBD."



Step 17:

- Select “0009 – Central Electrics” then select the “green arrow.”



Step 18:

- Select “adapting RF transmitter via barcode” then select the “arrow.”



Step 19:

- Select the “next arrow.”

Step 20:

- Enter the RF ID (HEX) and Private key (HEX) either manually with the keyboard or scan the QR code with a scanner.



Offboard Diagnostic Information System Service - 4.3.3

Importer: 444 VIN: 3VWC57BU2KM000702
Dealer: 03999 Engine: all engine identifier codes
RO: ---

Control modules | Events

0009 - Central Electrics (UDS / ISOTP / 5Q0937087BB / 0265 / 036 / EV_BodyContrModul1UDSBosc / 019001) DTC memory

UDS basic settings - Select measured values

Name	Selection
[IDE02711]_Rear Window Wiper	
[VO]_Personalized_key__Setting	
[IDE07344]_Sunroof shade	
[IDE00322]_Status of basic setting	
[IDE12212]_Cause control module incorrectly coded	
[IDE05729]_Door status, frt. pass. side rear	
[MAS18843]_SE references from last used digital key devices	
[IDE00356]_Cruise Control System (CCS), switch position	
[IDE01537]_Windshield defogger	
[IDE07145]_Component protection properties	
[VO]_Power up historie	

Filter:

0009 - GES

EV_BCMQB / 019005

Step 21:

- Select the “next arrow.”

Offboard Diagnostic Information System Service - 4.3.3

Importer: 444 VIN: 3VWC57BU2KM000702
Dealer: 03999 Engine: all engine identifier codes
RO: ---

Control modules | Events

0009 - Central Electrics (UDS / ISOTP / 5Q0937087BB / 0265 / 036 / EV_BodyContrModul1UDSBosc / 019001) DTC memory

UDS basic settings - Status: not active

Basic settings

Name	RDID	Status	Result	Value
[IDE06652]_Adapting RF transmitter via barcode	\$0481	[VO]_Routine not active or finishe...	[VO]_No Results Available	

Measured values

Name	RDID	Value
------	------	-------

Start Next Stop Stop all

0009 - GES

EV_BCMQB / 019005

Step 22:

- Select “Start.”



Step 23:

- After selecting “Start,” the result field should change to “[VO] Correct-Results” for a couple seconds. The process is completed.

Step 24:

- To test the operation, close all doors and lock the vehicle, Press the “Info” button once, then press the “Start” button twice on the new transmitter.

Step 25:

- Place the sticker with the RF ID (HEX) and Private key (HEX) on the extended range owner’s manual document. Place the document in the glove box with the owner’s manual.

Conditions that will prevent system operation

- Programming failed. Check ETKA or ELSA Pro for new PR code #U2.
- Low fuel light illuminated.
- DTC’s in engine, transmission, vehicle electrics, ABS/ESP.
- Key fob/dongle not programmed.
- Vehicle out of range.
- Incorrect button sequence pressed on key fob/dongle.
- Remote start operation has ran 2 cycles without being started with vehicle key.
- Vehicle battery voltage too low.