



Technical Service Bulletin

SUBJECT:		No:	TSB-19-27-001
CORRECTIONS TO AWD REAR AXLE HUB ASSEMBLY REMOVAL & INSTALLATION PROCEDURE - SMR		DATE:	February 2019
		MODEL:	2017 Outlander
CIRCULATE TO:	<input type="checkbox"/> GENERAL MANAGER	<input checked="" type="checkbox"/> PARTS MANAGER	<input checked="" type="checkbox"/> TECHNICIAN
<input checked="" type="checkbox"/> SERVICE ADVISOR	<input checked="" type="checkbox"/> SERVICE MANAGER	<input type="checkbox"/> WARRANTY PROCESSOR	<input type="checkbox"/> SALES MANAGER

PURPOSE

This TSB updates the Rear Axle section of the affected Service Manuals to make corrections to the AWD Rear Axle Hub Assembly removal and installation procedure.

AFFECTED VEHICLES

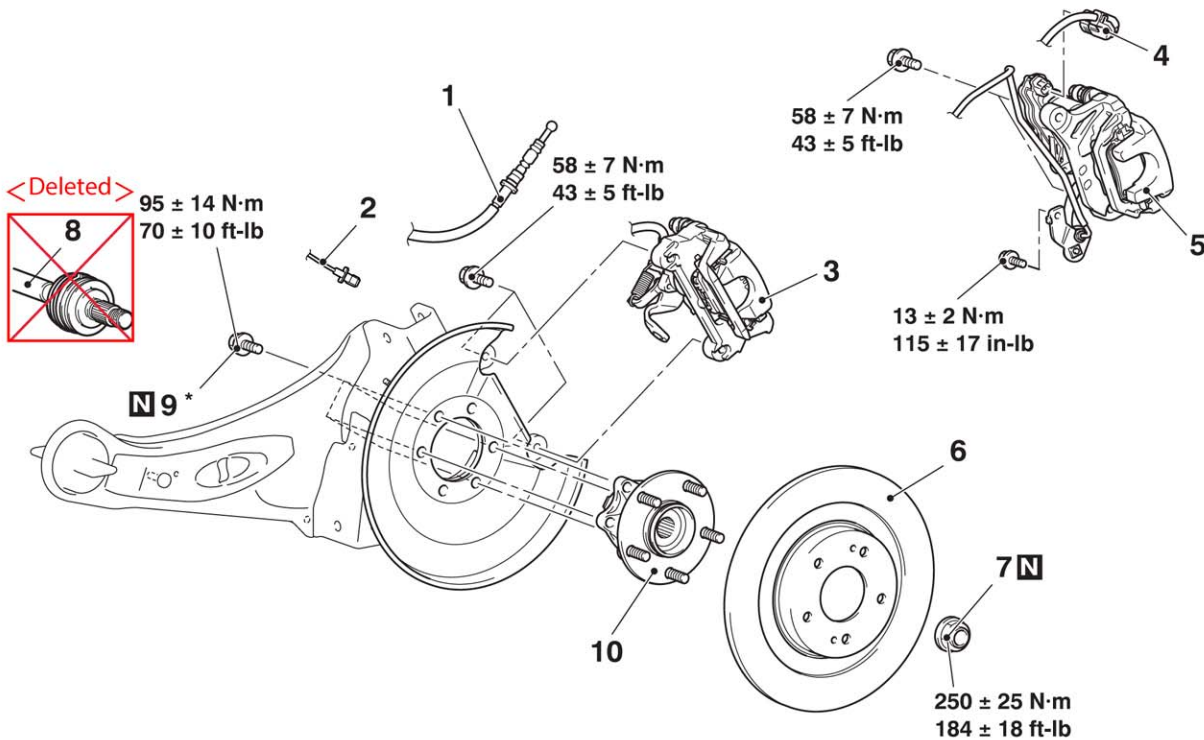
- 2017 Outlander

AFFECTED SERVICE MANUALS

- 2017 Outlander Service Manual, Group 27-Rear Axle



Please make the indicated changes below to the 2017 Outlander Service Manual, Group 27-Rear Axle -> 27B-Rear Axle (AWD) - .Rear Axle Hub Assembly -> Removal and Installation:



ACG01490 AB

Removal steps

- Release the parking brake lever. <Except for electric parking brake>
 - Loosen the adjusting nut. <Except for electric parking brake>
- <<A>> >>C<< 1. Parking brake cable connection (Rear brake caliper assembly side) <Except for electric parking brake>
- >>B<< 2. Rear wheel speed sensor
- <> 3. Rear brake caliper assembly <Except for electric parking brake>

<>

<<C>> >>A<<

<<D>> ~~8. Driveshaft~~ <Deleted>

<<E>>

Removal steps (Continued)

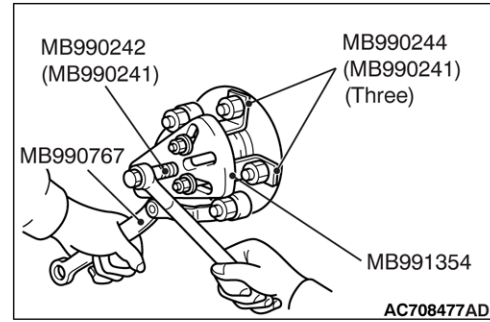
4. Harness connector <Electric parking brake>
5. Rear brake caliper assembly <Electric parking brake>
6. Rear brake disc
7. Rear driveshaft nut
8. ~~Driveshaft~~ <Deleted>
9. Rear wheel hub assembly mounting bolt
10. Rear wheel hub assembly

Please make the indicated changes below to the 2017 Outlander Service Manual, Group 27-Rear Axle -> 27B-Rear Axle (AWD) - .Rear Axle Hub Assembly -> Removal and Installation -> Removal Service Points:

<Moved>

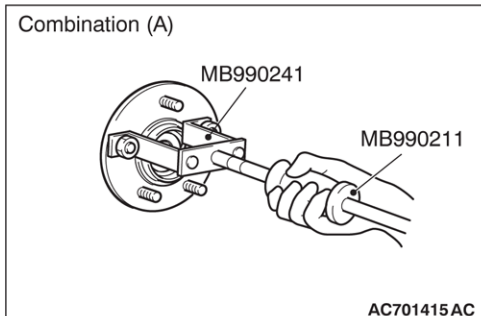
<Deleted>

<<D>> DRIVESHAFT REMOVAL



If the rear wheel hub assembly is seized with the rear drive-shaft, use the following special tools to push the driveshaft out from the hub and then remove the rear wheel hub assembly.

- Puller shaft (MB990242)
- Puller bar (MB990244)
- Puller body (MB991354)
- Front hub and flange yoke holder (MB990767)



<<E>> REAR WHEEL HUB ASSEMBLY REMOVAL

If the rear wheel hub assembly is seized with the trailing arm, use the following special tools to remove the rear wheel hub assembly.

- Combination (A)
 - Slide hammer (MB990211)
 - Rear axle shaft puller (MB990241)
- Combination (B)
 - Slide hammer (MB990211)
 - Puller body (MB991354)

