



# HYUNDAI Technical Service Bulletin

GROUP  
**SUSPENSION**

NUMBER  
**19-SS-001H**

DATE  
**FEBRUARY, 2019**

MODEL(S)  
**Genesis (DH)**

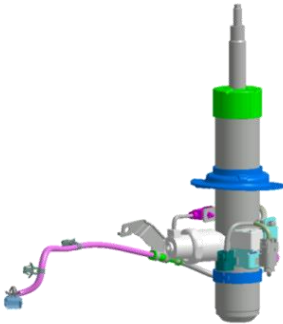
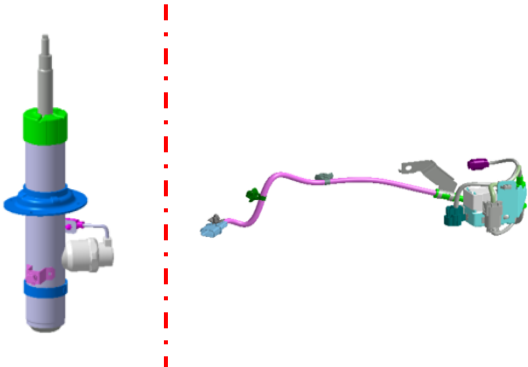
**SUBJECT:** ELECTRONIC CONTROL SUSPENSION EXTENSION (ECS)  
HARNESS

**Description:** This bulletin provides service information for the shock absorber extension wiring harness, applicable to vehicles equipped with Electronic Control Suspension (ECS). These harnesses are now available separately from the ECS shock assembly.



**Applicable Vehicles:** 2015MY Hyundai Genesis (DH) 5.0L vehicles equipped with ECS.

## Parts Information:

Before	After
 <p data-bbox="168 1772 802 1808">Shock absorber + extension wiring assembly</p>	 <p data-bbox="906 1772 1511 1843">Shock absorber and extension wiring parts are separately available.</p>

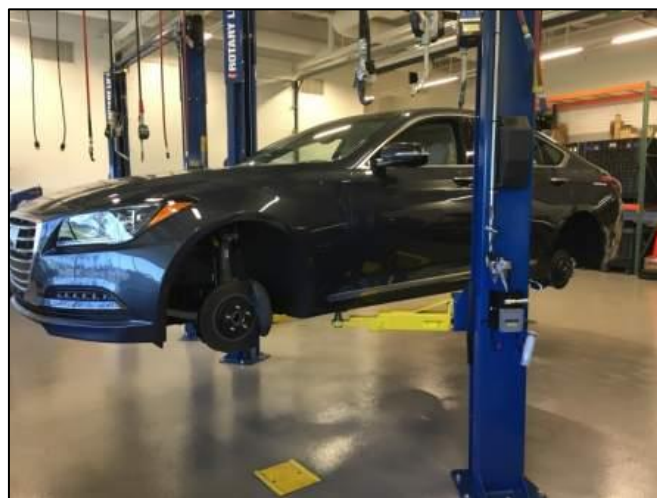
**Warranty Information:**

MODEL	OP CODE	OPERATION	OP TIME	CAUSAL PART*	NATURE CODE	CAUSE CODE
Genesis (DH)	54671R00	Front shock absorber extension wiring assembly (LH)	Refer to WEBLTS for current LTS time	56190 (LH)	I3N	ZZ3
	54671R0B	Front shock absorber extension wiring assembly (LH + RH)		56190 (LH) 56192 (RH)		
	54671R0R	Front shock absorber extension wiring assembly (RH)		56192 (RH)		
	54672R00	Rear shock absorber extension wiring assembly (LH)		56190 (LH)		
	54672R0B	Rear shock absorber extension wiring assembly (LH + RH)		56190 (LH) 56192 (RH)		
	54672R0R	Rear shock absorber extension wiring assembly (RH)		56192 (RH)		

**\*Refer to the applicable parts catalog for full causal part numbers.**

**Service Procedure: Front ECS Extension Wiring Harness Assembly**

1. Lift the vehicle on a hoist and remove the front wheel.



2. The ECS wiring harness may be routed behind the wheel liner. If necessary, remove the wheel liner fasteners to gain access to the connector.



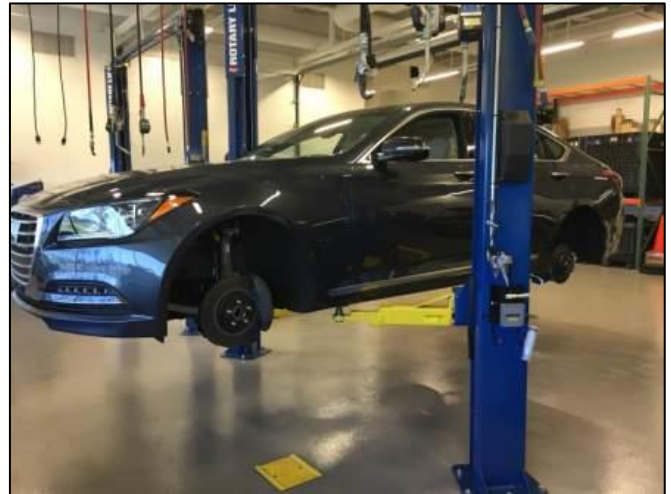
3. Disconnect the connectors on the extension harness.
4. Remove all mounting bolts to remove the extension harness.
5. Remove the extension harness from the vehicle.



6. Install the new ECS extension harness in reverse order of removal.

**Service Procedure: Rear ECS Extension Wiring Harness Assembly**

1. Lift the vehicle on a hoist and remove the rear wheel.



2. The rear ECS extension harness may be routed behind the wheel liner. If necessary, remove the wheel liner fasteners to gain access to the connectors.
3. Disconnect the connectors on the extension harness.
4. Remove all mounting bolts to remove the extension harness.
5. Remove the extension harness from the vehicle.



6. Install the new ECS extension harness in reverse order of removal.