

March 5, 2019

Version 1

**2017-18 CR-V: Software Update with A/C Control Unit Replacement;
DTC P0300, P0301, P0302, P0303, P0304, or P0172****AFFECTED VEHICLES**

Year	Model	Trim	VIN Range
2017-18	CR-V	EX, EX-L, Touring	ALL - With DPSM Approval

BACKGROUND

Under certain circumstances, the vehicle may experience driveability issues, which may result in DTCs P0300 (random misfire detected), P0301 (No. 1 cylinder misfire detected), P0302 (No. 2 cylinder misfire detected), P0303 (No. 3 cylinder misfire detected), P0304 (No. 4 cylinder misfire detected), or P0172 (fuel system too rich) to set.

NOTE

Repair an affected vehicle using this service bulletin only if the vehicle otherwise would be covered by S/B 18-114, *Product Update: 2017-18 CR-V: Software and A/C Control Unit Update, DTC P0300, P0301, P0302, P0303, P0304, or P0172* and the repairing dealership is located outside of the following cold-weather states: Alaska, Connecticut, Iowa, Illinois, Indiana, Massachusetts, Maine, Michigan, Minnesota, Montana, North Dakota, Nebraska, New Hampshire, New Jersey, New York, Ohio, Pennsylvania, Rhode Island, South Dakota, Vermont, Wisconsin.

CORRECTIVE ACTION

Reset the maintenance minder, replace only the engine oil without replacing the oil filter, and replace the A/C control unit. Clear any DTC's and update the PGM-FI and TCM software with the latest version. Reset the throttle position learned values and do the PCM idle learn procedure.

CUSTOMER INFORMATION: The information in this bulletin is intended for use only by skilled technicians who have the proper tools, equipment, and training to correctly and safely maintain your vehicle. These procedures should not be attempted by "do-it-yourselfers," and you should not assume this bulletin applies to your vehicle, or that your vehicle has the condition described. To determine whether this information applies, contact an authorized Honda automobile dealer.

WARRANTY CLAIM INFORMATION

DPSM Authorization is required prior to beginning repairs.

Use the warranty information below **only if dealerships is a participant of the bulk oil program.**

Operation Number	Description	Flat Rate Time	Defect Code	Symptom Code	Template ID	Failed Part Number
1245B3	Reset the maintenance minder. Update PGM-FI and TCU software. Replace the engine oil, the A/C control unit, and perform the throttle position reset and PCM idle learn procedure.	0.8 hr	6DU00	V2Y00	A19026A	37805-5PA-A68

If your dealerships is not a participant of the bulk oil program, use the warranty information below.

Operation Number	Description	Flat Rate Time	Defect Code	Symptom Code	Template ID	Failed Part Number
1245B3	Reset the maintenance minder. Update PGM-FI and TCU software. Replace the engine oil, the A/C control unit, and perform the throttle position reset and PCM idle learn procedure.	0.8 hr	6DU00	V2Y00	A19026B	37805-5PA-A68

Skill Level: Repair Technician

PARTS INFORMATION

Part Name	Part Number	Quantity
Drain Plug Washer (14 mm)	94109-14000	1
Auto Air Conditioner CPU Assembly (A/C Control Unit)	79600-TLA-A62	1

MATERIAL INFORMATION

Part Name	Part Number	Quantity
0W-20 (Bulk Oil Participants) (Gallons)	FS020-BAS-N0L	1
0W-20 (Non-Bulk Oil Participants) (Quarts)	08798-9063	4

SOFTWARE INFORMATION

NOTE

Unnecessary or incorrect repairs resulting from a failure to update the i-HDS are not covered under warranty.

i-HDS Software Version: **1.004.064 or later**

J2534 Software Information:

- PC Application Version **1.1.0.6 or later**
- Database update **27-DEC-2018 or later**

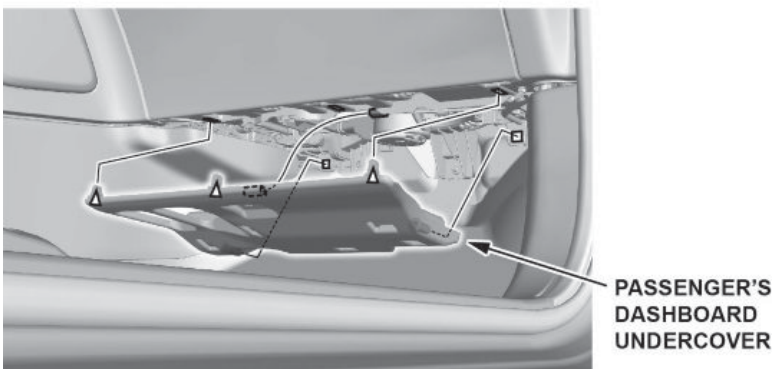
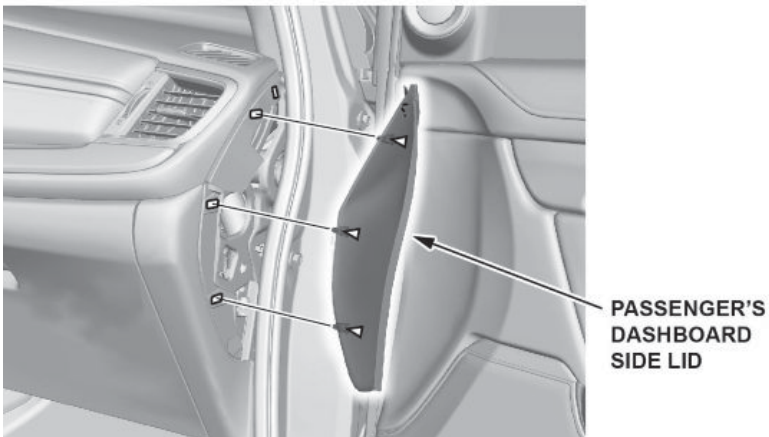
Before beginning the repair, make sure that both the i-HDS and J2534 software are updated as listed above.

For more information about updating the i-HDS, the MVCI, and vehicle systems, refer to Service Bulletin 01-023, *Updating Control Units/Modules*.

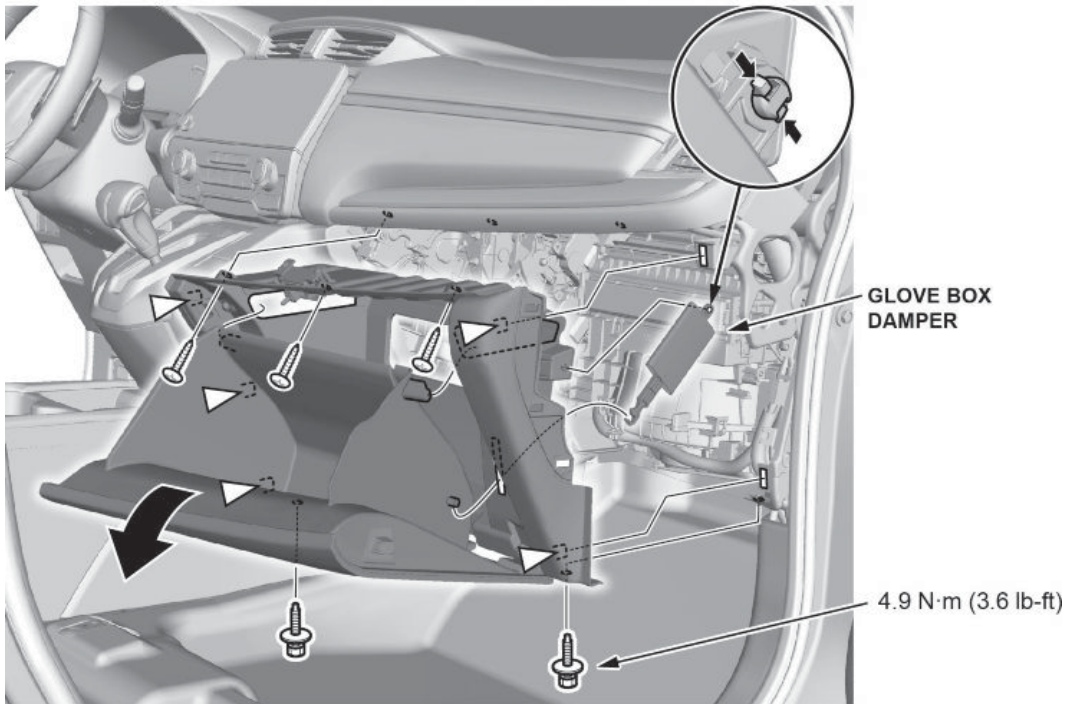
Year/Model	Software System	Program ID (or later)	Program P/N (or later)
2017 CR-V (2WD)	PGM-FI	PA3060	37805-5PA-306
2017 CR-V (AWD)	PGM-FI	PA3080	37805-5PA-308
2018 CR-V (2WD)	PGM-FI	PAA690	37805-5PA-A69
2018 CR-V (AWD)	PGM-FI	PAA890	37805-5PA-A89
2017-18 CR-V (2WD)	TCM	RHA040	28101-5RH-A04
2017-18 CR-V (AWD)	TCM	RGA040	28101-5RG-A04

REPAIR PROCEDURE

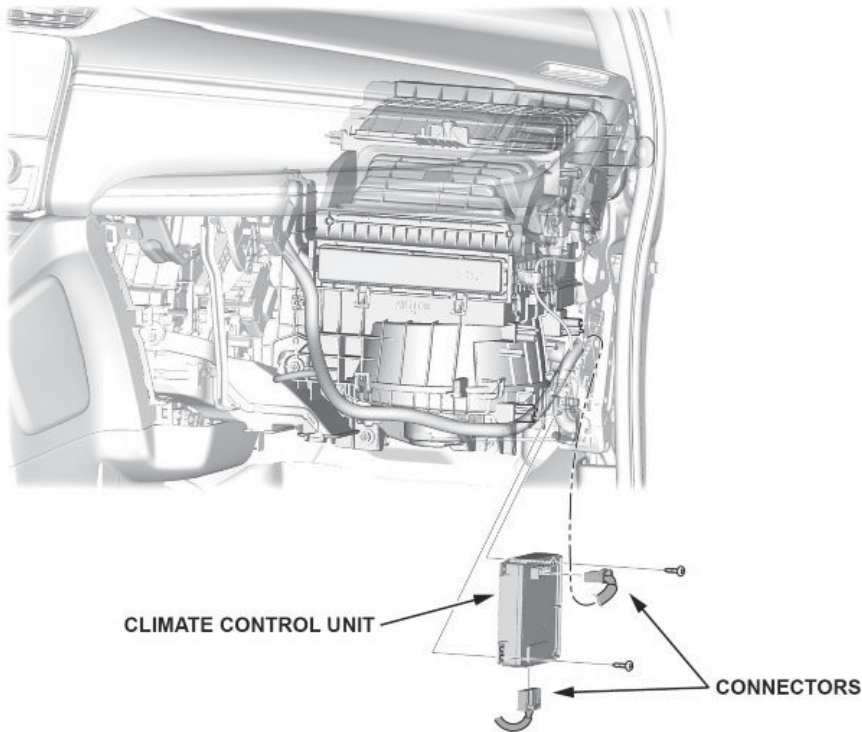
1. Reset maintenance minder main code A. Refer to the service information.
2. Drain and refill the engine oil. Do not replace the oil filter. (3.4 quarts)
3. Connect the i-HDS and click on the **Body Electrical**. From there, select **HVAC** and open **Data List/Snapshot** to check if the A/C control unit has been replaced. One of three options will appear; **Not Complete**, **Completed**, or **Not Applicable**.
 - If it reads Completed or Not Applicable, skip to step 5.
 - If it reads Not Complete, go to step 4.
4. Replace the A/C control unit.
 - 4.1. Remove the passenger's dashboard side lid and the dashboard undercover.



4.2. Remove the glove box.



4.3. Remove the A/C control unit and replace with the new unit.



4.4. Install all parts in reverse order.

4.5. Run the self-diagnostics procedure with the i-HDS to make sure that there are no problems in the system.

5. Update the PGM-FI and TCM software using the i-HDS J2534 rewrite software with the MVCI or DST-i. Refer to Service Bulletin 01-023, *Updating Control Units/Modules*.

NOTES

- Connect a fully charged jumper battery and leave it connected during the entire procedure to maintain steady voltage.
 - Never turn the ignition to OFF or ACCESSORY during the update. If there is a problem with the update, leave the ignition turned to ON.
 - To prevent control unit damage, do not operate anything electrical (headlights, audio system, brakes, A/C power windows, door locks, etc.) during the update.
 - Do not use the MongoosePro VCI tool.
6. Reset the throttle position learned values by referencing the throttle body removal and installation in the service information, then do the PCM idle learn procedure. Refer to service information for additional instructions.

NOTE

For more information on the PCM idle learn procedure, see the *Tech2Tech*[®] video, "A Look at PCM Idle Learn".

END