



<b>Countries:</b>	CANADA, UNITED STATES, MEXICO	<b>Document ID:</b>	IK1600240
<b>Availability:</b>	ISIS, NotSIR	<b>Revision:</b>	6
<b>Major System:</b>	CAB / SLEEPER / HOOD	<b>Created:</b>	12/19/2017
<b>Current Language:</b>	English	<b>Last Modified:</b>	1/24/2019
<b>Other Languages:</b>	NONE	<b>Author:</b>	Steven Bautz
<b>Viewed:</b>	778		

[Less Info](#)
 Hide Details

Coding Information

<b>Copy Link</b> 	<b>Copy Relative Link</b> 	<b>Bookmark</b>  <a href="#">View My Bookmarks</a>	<b>Add to Favorites</b> 	<b>Print</b> 	<b>Provide Feedback</b> 	<b>Helpful</b>  20	<b>Not Helpful</b>  1
----------------------	-------------------------------	--	-----------------------------	------------------	-----------------------------	--------------------------	-----------------------------

**Title:** HX Cab Door Will Not Open Very Far

**Applies To:** HX

## CHANGE LOG

Please refer to the change log text box below for recent changes to this article:

01/24/2019 - Added torque values per service tech feedback.  
 01/04/2019 - Updated per service tech feedback.  
 04/16/2018 - Added more detailed information, changed font.  
 04/03/2018 - Initial Article Release.

## DESCRIPTION

This document will guide the user through correcting the concern of customer stating the HX cab door will not open far enough and shows the different models with and without the DEAC.

## SYMPTOM(s)

Either cab door does not open far enough to gain access to the cab.

### **Notes and Special Considerations when changing or servicing the door check strap:**

1. If the truck has DEACs (Dual External Air Cleaners), both cab doors will have tighter opening limit to avoid exterior damage. See photos of each model below.
2. The nylon check strap in each door controls how far the each door will open.
3. When changing the check strap be mindful as to if there is a DEAC or not on each side of the hood. Allowing the door to extend too far will cause damage between the door mirror and the DEAC.



---

## **SPECIAL TOOL(s) / SOFTWARE**

No special tools are required to change the door strap.

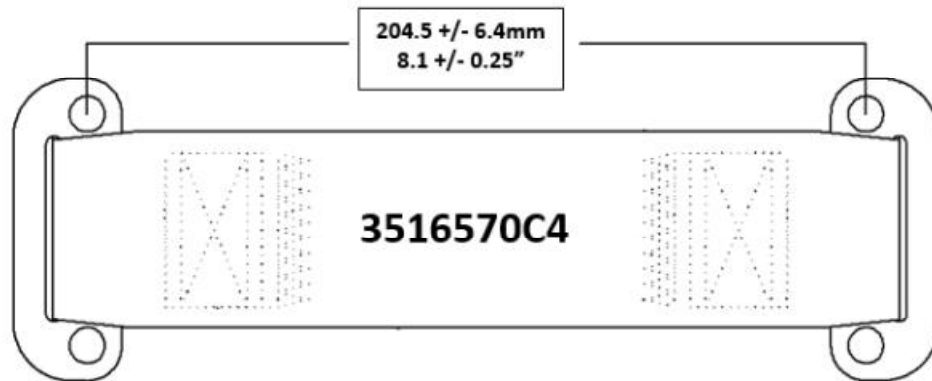
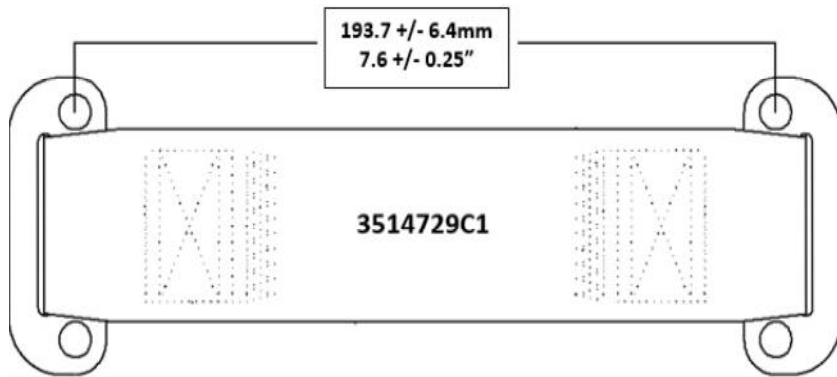
[Tools Resource Center](#)

---

## **SERVICE PARTS INFORMATION**

Part Description	Part Number	Quantity Required	Notes
STRAP, DOOR CHECK 7.6"	3514729C1	1/DOOR	ALL HX MODELS WITH DEAC
STRAP, DOOR CHECK 8.1"	3516570c4	1/DOOR	ALL HX MODELS WITHOUT DEAC

How to verify length of straps:



**DIAGNOSTIC STEP(s)**

**WARNING:**

**ONCE CHECK STRAP IS REMOVED - DOOR WILL SWING FREELY AND MAY CASUE EXTERIOR DAMAGE IF OPENED TOO FAR.**

**CAUTION:**

**TAKE CARE TO NOT LET DOOR OVER SWING WHEN CHECK STRAP IS REMOVED**

## **REPAIR STEP(s)**

Remove original check strap (4104796C1) and replace with new check strap based on vehicle DEAC configuration.

If the vehicle already has a new check strap (One of the P/Ns listed in table above). Contact your Navistar CSE for additional options.

The new straps are designed to maximize the door opening distance/angle.

### **REMOVAL PROCEDURE:**

Step 1: Remove interior trim and panels to gain access to bolts for the check strap.

Step 2: Remove 4 bolts the hold check strap in place to remove check strap.

### **INSTALLATION PROCEDURE:**

Step 1: Install 4 bolts the hold replacement check strap in place. (Torque: 156 - 180 in-lbs)

Step 1: Install interior trim and panels.



## **WARRANTY INFORMATION**

### **Warranty Claim Coding:**

Refer to the [Warranty Coding Manual](#) for Group and Noun Codes.

---

### **Standard Repair Time(s):**

Refer to the [SRT Manual](#) for Repair Times

---

## **OTHER RESOURCES**

[Master Service Information Site](#)

 Hide Details

#### Feedback Information

Viewed: 777  
Helpful: 20  
Not Helpful: 1

No Feedback Found

Copyright © 2019 Navistar, Inc.