

February 22, 2019

Version 1

Rear Climate Control Panel Buttons Do Not Work

AFFECTED VEHICLES

Year	Model	Trim	VIN Range
2018-19	Odyssey	ALL	ALL

SYMPTOM

When raising the fan speed and/or temperature at the rear climate control panel, the rear fan control and/or rear temperature control button may be hard to press or not work.

POSSIBLE CAUSE

One or both of the depth control tabs used for locating the screen cover during assembly may have broken off and lodged behind the rear fan control and/ or rear temperature control buttons and the control panel housing, preventing the button(s) from raising fan speed or temperature.

CORRECTIVE ACTION

Remove the rear climate control panel, and clear out the lodged tab(s) between the rear fan control and/or rear temperature control buttons and the control panel housing. You may need to remove the button(s) to do this.

TOOL INFORMATION

Part Name	Part Number	Quantity
Plastic Trim Tool	SILTRIMTL10	1

WARRANTY CLAIM INFORMATION

The normal warranty applies.

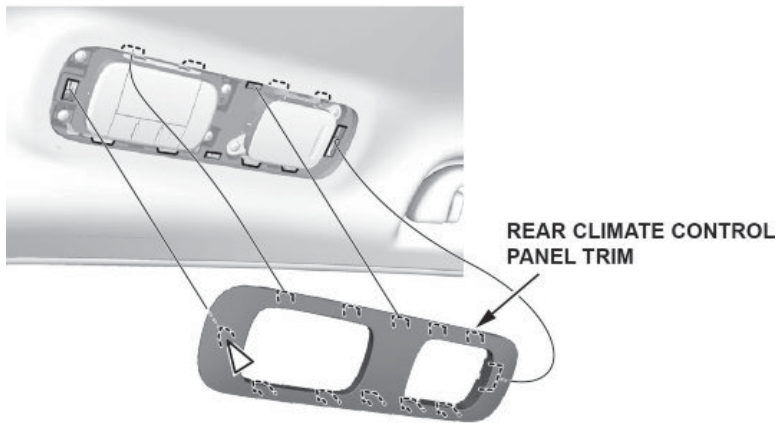
Operation Number	Description	Flat Rate Time	Defect Code	Symptom Code	Template ID	Failed Part Number
6180A0	Remove the rear climate control panel, and remove any debris.	0.3 hr	03217	07403	A19022A	79650-THR-A41ZA

Skill Level: Repair Technician

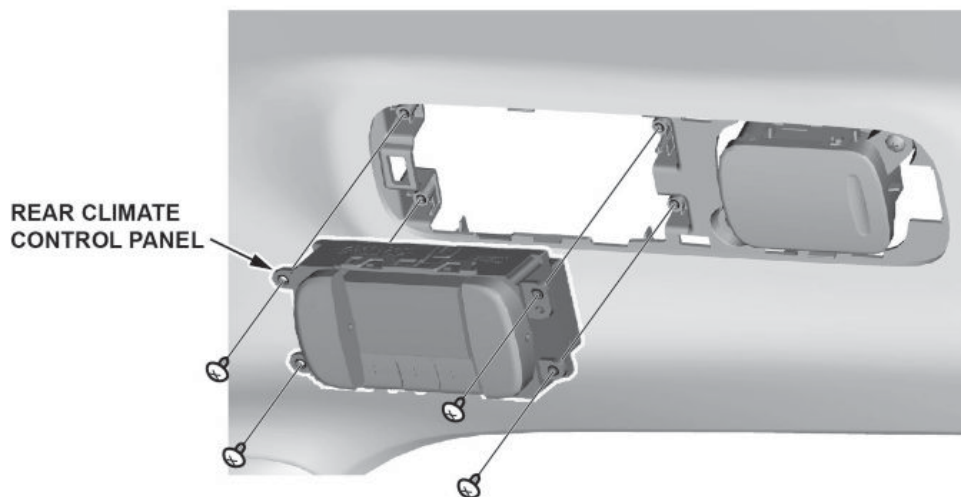
CUSTOMER INFORMATION: The information in this bulletin is intended for use only by skilled technicians who have the proper tools, equipment, and training to correctly and safely maintain your vehicle. These procedures should not be attempted by "do-it-yourselfers," and you should not assume this bulletin applies to your vehicle, or that your vehicle has the condition described. To determine whether this information applies, contact an authorized Honda automobile dealer.

REPAIR PROCEDURE

1. Using the plastic trim tool, remove the rear climate control panel trim piece.



2. Remove the four screws, disconnect the connector and remove the rear climate control panel.



3. Shake the rear climate control panel, and listen for rattling inside. If one or both of the depth control tabs have broken off, they will rattle and may even fall out while shaking.
 - If you do not hear any rattling or see anything fall out, go to step 4.
 - If one or both tabs fall out and you no longer hear any rattling, go to step 5.



4. Use a plastic trim tool to gently pry the affected button(s) from the control panel. Clear out any lodged tab(s).

NOTE

Fan control button is shown; the temperature control button is similar.



5. Install the control panel and trim piece in the reverse order of removal.
6. Make sure the control panel works normally.

END