



# Technical Service Bulletin

SUBJECT:		No: <b>TSB-19-35-002</b>	
<b>KNOCKING SOUND FROM REAR DISC BRAKES</b>		DATE: <b>January 2019</b>	
		MODEL: <b>See below</b>	
<b>CIRCULATE TO:</b>	<input type="checkbox"/> GENERAL MANAGER	<input checked="" type="checkbox"/> PARTS MANAGER	<input checked="" type="checkbox"/> TECHNICIAN
<input checked="" type="checkbox"/> SERVICE ADVISOR	<input checked="" type="checkbox"/> SERVICE MANAGER	<input checked="" type="checkbox"/> WARRANTY PROCESSOR	<input type="checkbox"/> SALES MANAGER

## PURPOSE

A customer may report a metallic knocking sound from the rear brakes while driving on uneven roads, or when the brake is applied while driving at low speeds. This may be due to the strength of the brake pad clips weakening with usage, causing the brake pad to be pulled by the disc, resulting in a knocking sound.

This TSB instructs dealers to replace the rear brake pad clips (upper and lower) with new parts on affected vehicles, and to apply grease between the brake pad and caliper support.

## AFFECTED VEHICLES

- 2014 - 2019 Outlander
- 2018 - 2019 Outlander PHEV
- 2011 - 2019 Outlander Sport/RVR

## REPAIR PROCEDURE

1. Remove the rear brake pad assemblies, upper clips, and lower clips from the caliper support. For instructions, refer to the applicable Service Manual, Group 35 - Service Brakes / 35A - Basic Brake / On-Vehicle Service / Brake Pad Replacement.



2. Clean the brake pad assembly and the clip mounting area of the caliper support with a brush.

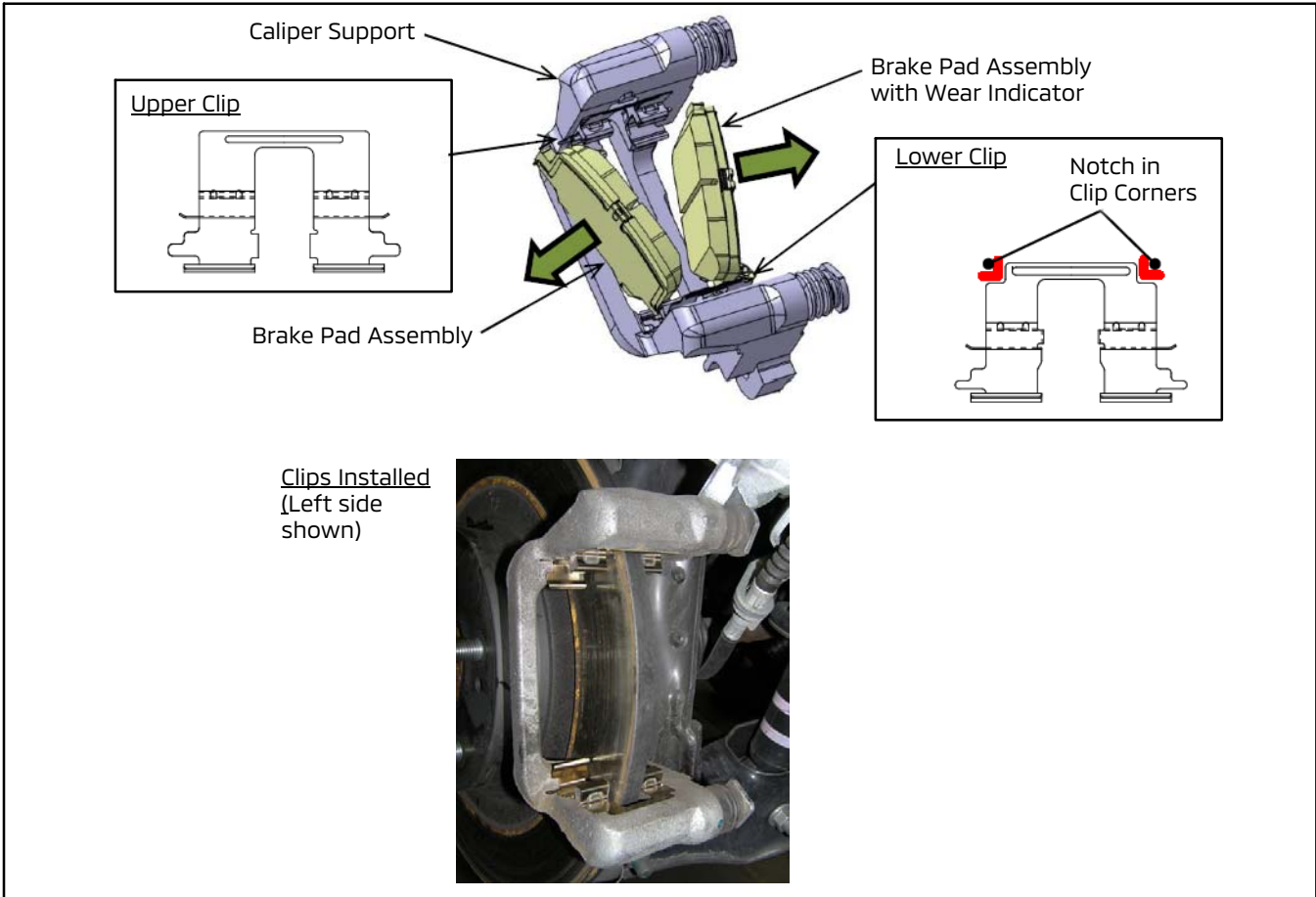
**NOTE: Left rear shown in photo.**

3. Attach the clips from the **new** clip set (PN 4605B885) to the caliper support.

**NOTE: Be sure to install the correct clip (upper or lower). Refer to illustration below for identification of upper and lower clips.**

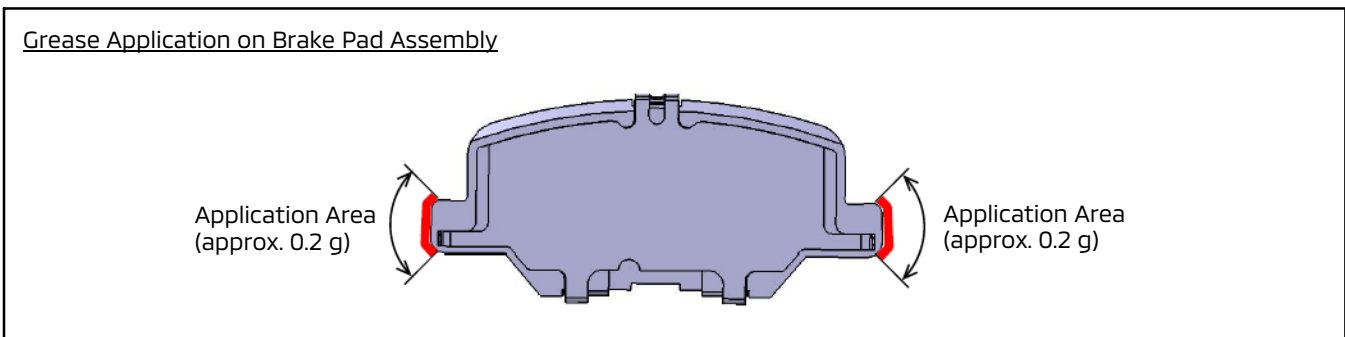


**Do NOT damage or deform the clip when attaching to the caliper support.**



4. Apply the grease included in the new clip set to the application area of the brake pad assembly, as shown in the diagram below.

- **Apply approximately 0.2 g of grease per application area.**





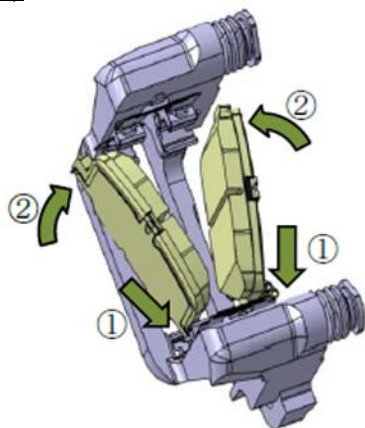
**!! IMPORTANT !!** Apply grease uniformly so that the base of the brake pads are completely covered with grease, as shown.

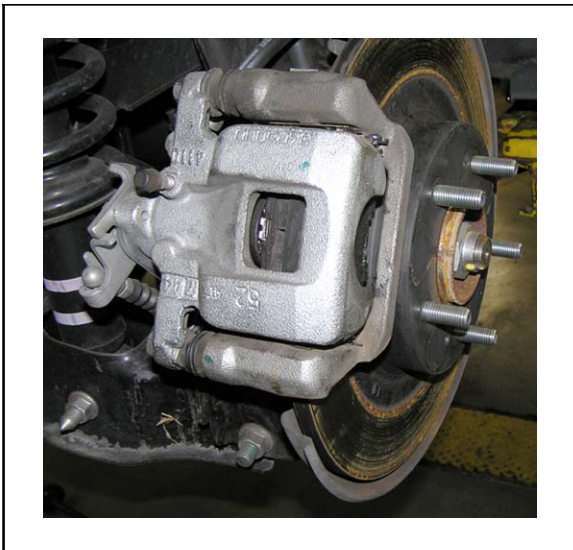
5. Attach the brake pad assembly to the caliper support.
- (1) Start assembly from the lower side of the brake pad assembly.
  - (2) Fit the upper side into the clip, while pressing the lower side of the brake pad assembly.
- NOTE: Right rear shown in photo below.**

**!! IMPORTANT !!**

- Make sure to **NOT** get any grease on the surface of the brake disc or brake pad.
- If any grease gets on the brake disc or pad, wipe it off with brake cleaner.

Reassembly





6. Reassemble the brake pad assembly, using the torque specifications from the applicable vehicle's Service Manual.  
 For instructions, refer to the applicable Service Manual, Group 35 - Service Brakes / 35A - Basic Brake / On-Vehicle Service / Brake Pad Replacement.
- NOTE: Right rear shown in photo.**
7. Reinstall wheel and all remaining parts.
8. Verify the knocking sound is no longer present.

## PARTS INFORMATION

Order only the Genuine Mitsubishi Parts listed below.

Description	Part Number	Quantity	Clip Set Contents
Clip Set	4605B885	1	<ul style="list-style-type: none"> <li>● Upper Clip: 2 pieces</li> <li>● Lower Clip: 2 pieces</li> <li>● Grease (Black, Molykote AS 880 N): 5 g/bag</li> </ul>

## WARRANTY INFORMATION

This bulletin is supplied as technical information only and is not an authorization to repair. If an affected vehicle is reported with the described condition, diagnose the condition, repair as described in this bulletin and submit a normal warranty claim using the following information.

Labor Operation Code	Operation	Nature Code	Cause Code	Time Allowance
352651NB	Replace Brake Pad Clips and Apply Grease	80J	430	0.7 hrs

Warranty Coverage: 5/60 Basic Coverage (Canada: 5/100)