



Technical Journal

TITLE:
CCSM knob, noise when pushing/turning

REF NO: TJ 33196.1.0	ISSUING DEPARTMENT: Technical Service	CAR MARKET: United States and Canada	
PARTNER: 3 US 7510 Volvo Car USA		ISSUE DATE: 2018-01-30	STATUS DATE: 2018-02-05
FUNC GROUP: 8810	FUNC DESC: Instrument and radio panel	Page 1 of 8	

“Right first time in Time”

Attachment

File Name	File Size
TJ 33196.pdf	2.3576 MB

Vehicle Type

Type	Eng	Eng Desc	Sales	Body	Gear	Steer	Model Year	Plant	Chassis range	Struc Week Range
234							2017-9999		0000350-0999999	201617-999952
235							2018-9999		0000160-0999999	201624-999952
236							2018-9999		0000098-0999999	201646-999952
238							2018-9999		0000161-0999999	201646-999952

CSC Customer Symptom Codes

Code	Description
G6	Instrument panel/dashboard/Squeak/rattle/Glove box lid
G7	Instrument panel/dashboard/Squeak/rattle

VST Operation Number

VST Operation Number	Description
98697-2	Center console module (CCSM) adjust acc. to TJ33196



DTC Diagnostic Trouble Codes

Text

DESCRIPTION:

If customer complains of a noise when turning or pushing the knob on the CCSM (center console switch module), follow the method under Service.

SERVICE:

Apply tape p/n 1161842 according to method "TJ 33196.pdf".

VEHICLE REPORT:

Yes, please submit a Vehicle Report if the service solution described in this TJ has no effect. Use concern area "Vehicle Report" and sub concern area "Support not needed", use function group 8810.

To view TJ attachment continue to next page. This TJ has one attachment.



Volvo Car Customer Service

TJ 33196

Title	Center console switch module CCSM	Page	1 (6)
Action	Adjustment	Operation number:	98697-2

Issue	Date	Reason
1	2017-11	First issue

Affected vehicles

Model year	Model
2017	S90 (17-)
2018	S90L
2018	V90 (17-)
2018	V90 Cross Country

Materials

Materials	Qty.	Part No.	Notes
Anti-squeak tape	0.01	1161842	Cut Anti-squeak tape 10mm.x10mm;

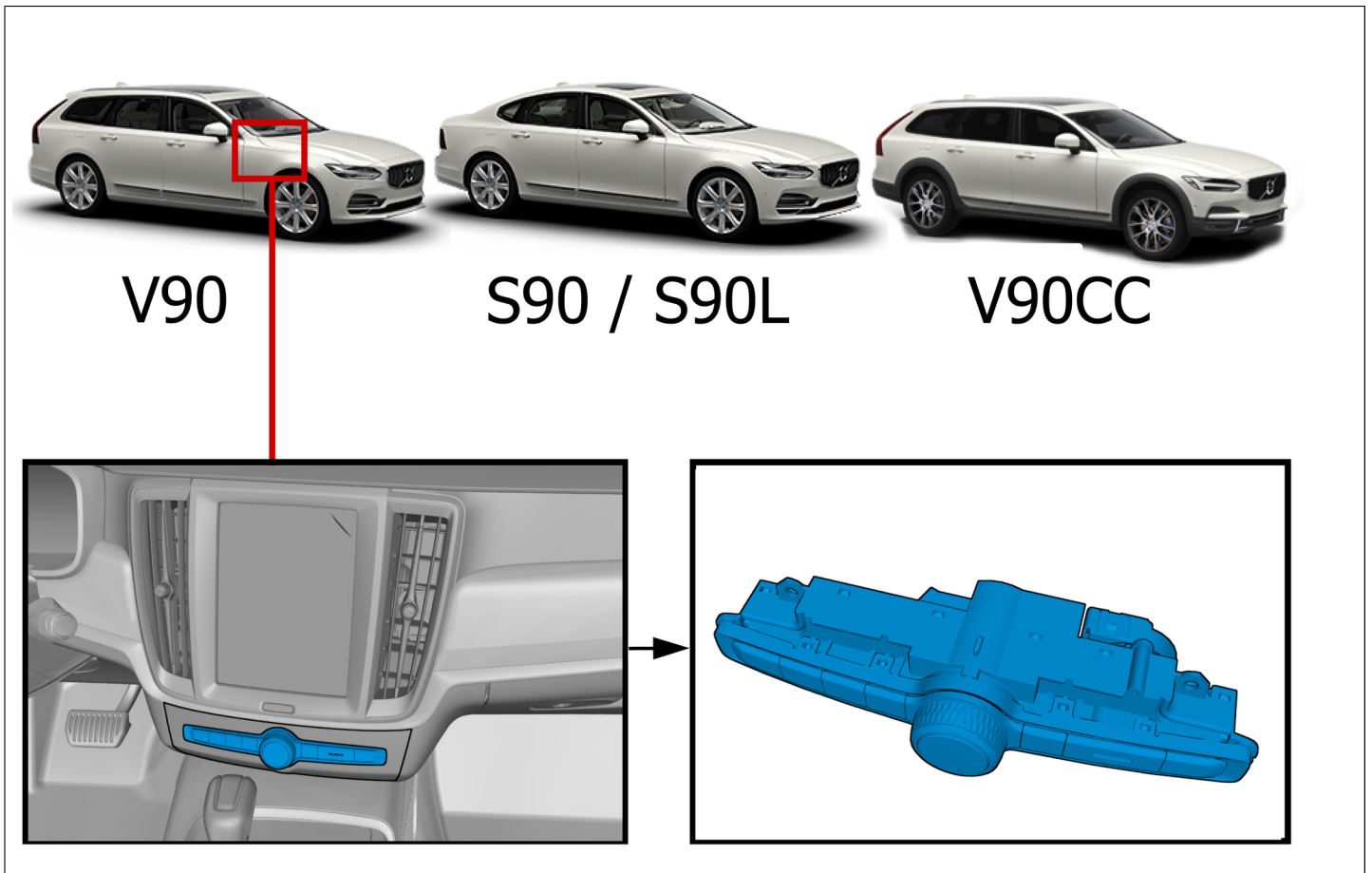
Equipment

Designation	Part No.
Interior trim remover	
Tape measure	
Scissors	

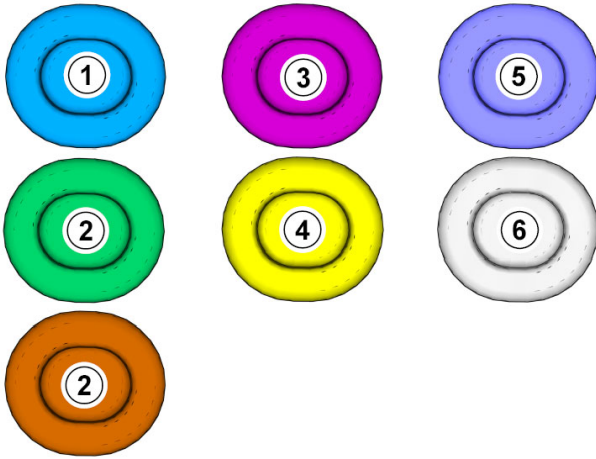
Removal

Note! Removal steps in this procedure may contain installation details.

Orientation view



Color symbols

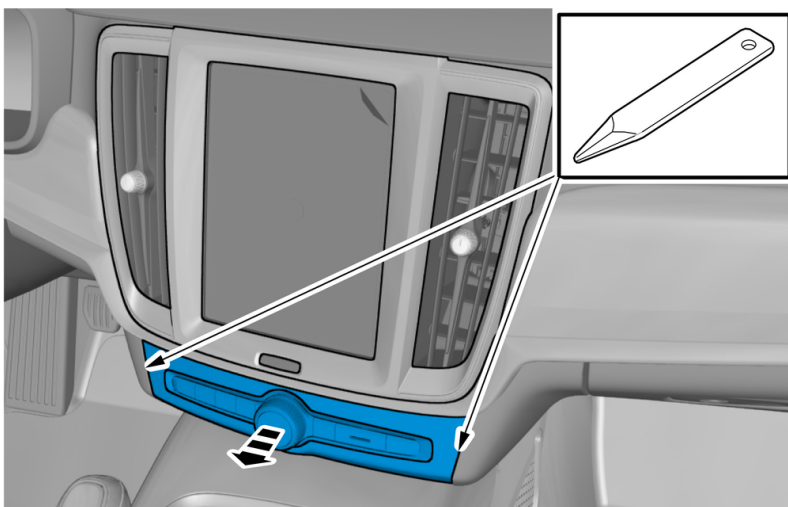


Note! This colour chart displays (in colour print and electronic version) the importance of the different colours used in the images of the method steps.

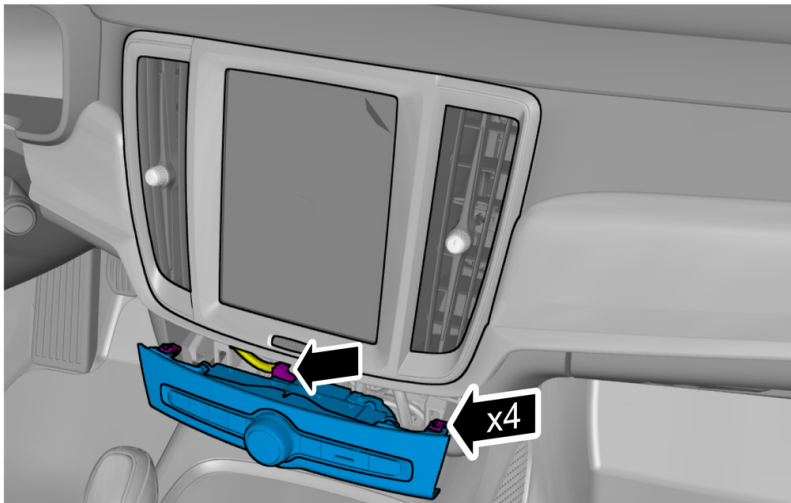
- 1 . Used for focused component, the component with which you will do something.
- 2 . Used as extra colors when you need to show or differentiate additional parts.
- 3 . Used for attachments that are to be removed/installed. May be screws, clips, connectors, etc.
- 4 . Used when the component is not fully removed from the vehicle but only hung to the side.
- 5 . Used for standard tools and special tools.
- 6 . Used as background color for vehicle components.

Set the vehicle to Inactive mode, described in user mode , refer to:

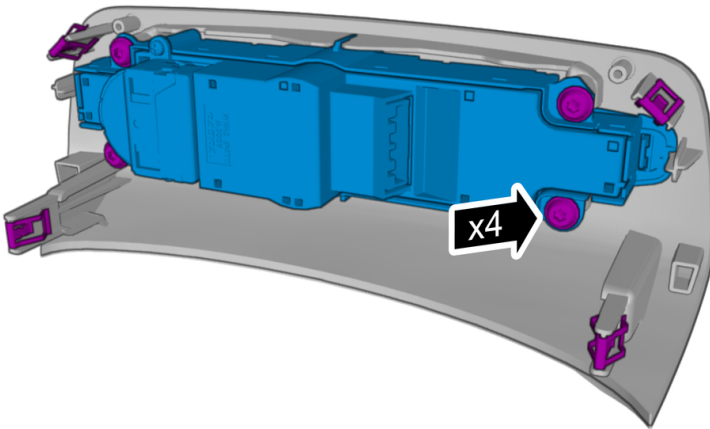
- General Information
- 3 - Electrical system
- 30 - General
- 300 - general



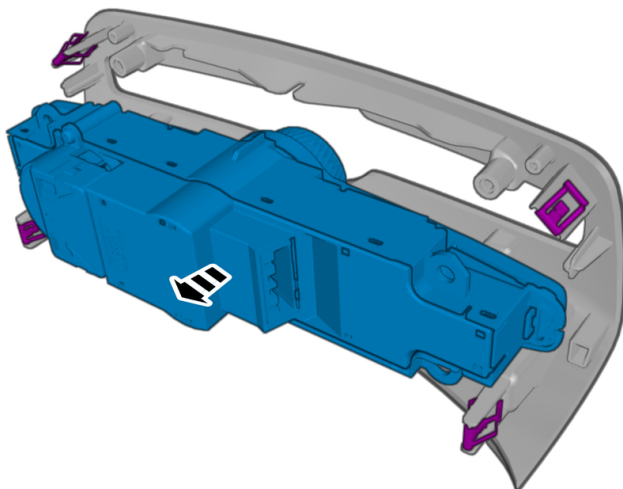
Use: Interior trim remover
Remove the part carefully



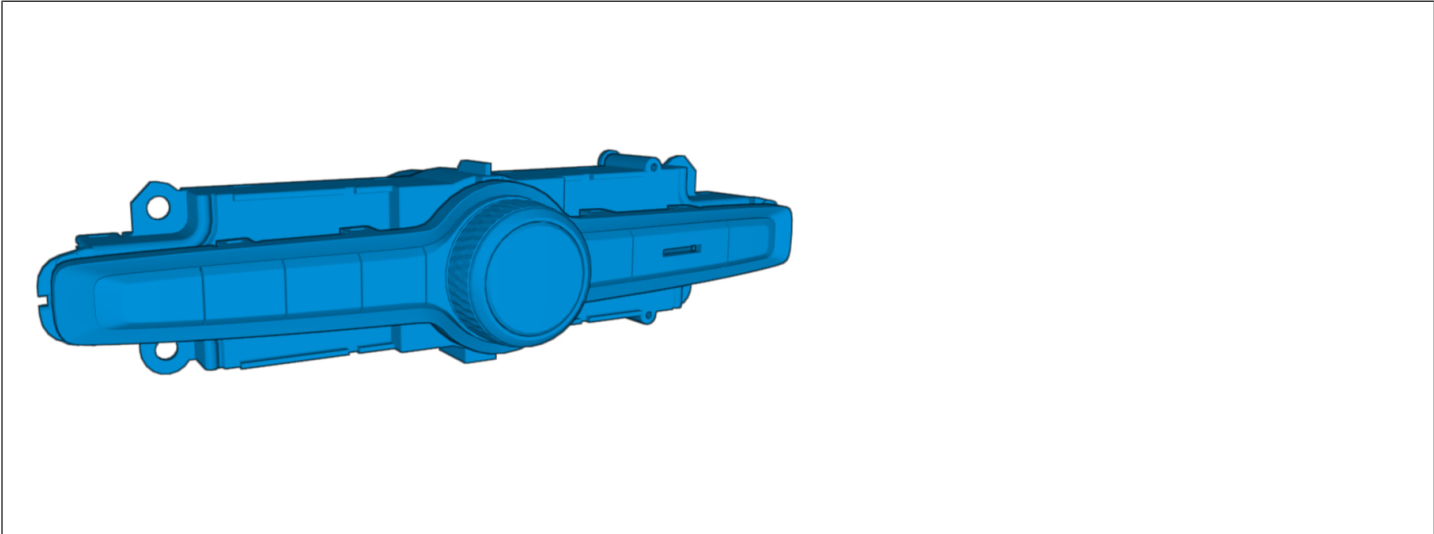
Disconnect the connector.
Remove the marked part.



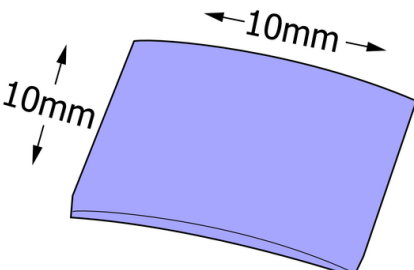
Remove the screws.



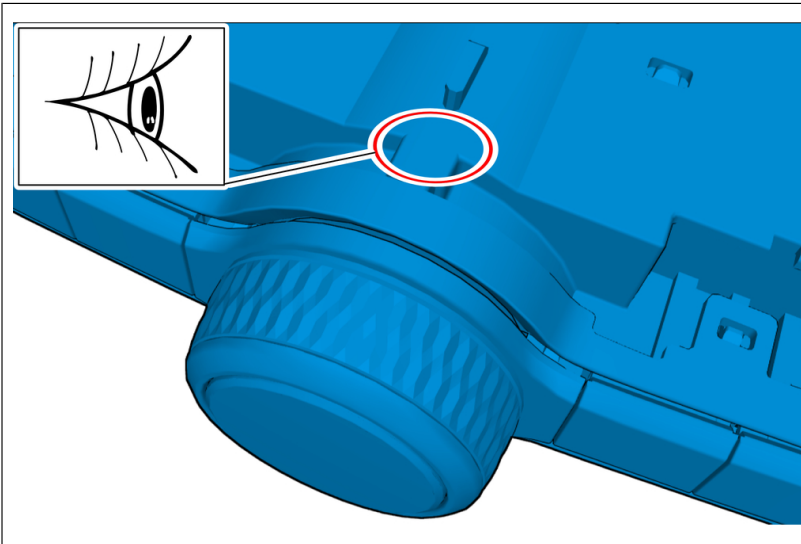
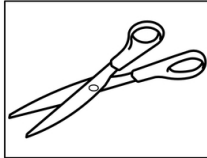
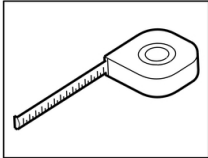
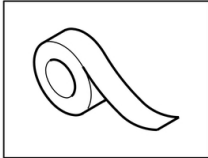
Remove the marked part.



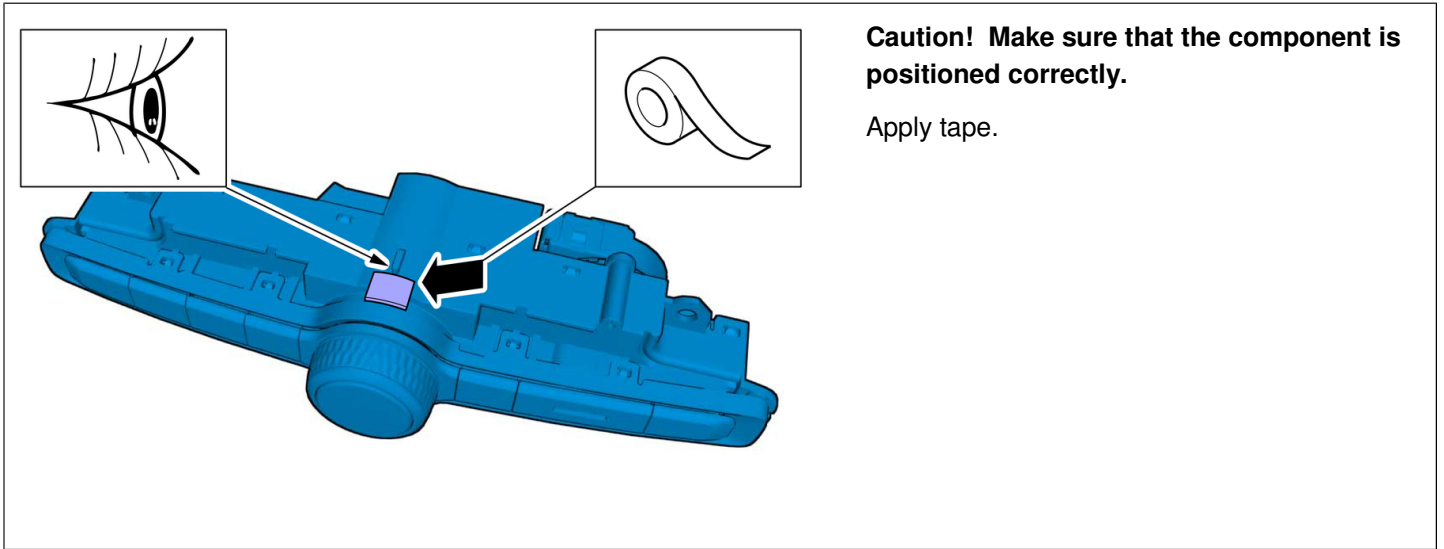
Adjustment



Use: Anti-squeak tape , 1161842
Use: Tape measure
Use: Scissors



Note! Note the position.



Installation

To install, reverse the removal procedure.