



Technical Journal

TITLE:

**Front brake pads, early or uneven wear on right side on
16" and 16.5" brakes**

REF NO: TJ 33250.3.0	ISSUING DEPARTMENT: Technical Service	CAR MARKET: United States and Canada	
PARTNER: 3 US 7510 Volvo Car USA		ISSUE DATE: 2018-02-08	STATUS DATE: 2018-02-14
FUNC GROUP: 5115	FUNC DESC: Brake pad; brake pad kit	Page 1 of 7	

“Right first time in Time”

Attachment

File Name	File Size
TJI-509075-1_1_0_en-US.pdf	0.4396 MB

Vehicle Type

Type	Eng	Eng Desc	Sales	Body	Gear	Steer	Model Year	Plant	Chassis range	Struc Week Range
124							2007-2016		-	200605-999952
134							2011-2018		-	201020-999952
135							2008-2010		-	200720-999952
136							2008-2016		-	200720-999952
138							2016-9999		-	201448-999952
155							2015-2018		-	201035-999952

CSC Customer Symptom Codes

Code	Description
B6	Brakes/Unusual noise/Front

VST Operation Number

VST Operation Number	Description
98704-2	Brake shield replace acc. to TJ33250



DTC Diagnostic Trouble Codes

Rows beginning with * are modified

Note! If using a printed copy of this Technical Journal, first check for the latest online version.

Text

DESCRIPTION:

*If early or uneven wear occur on the right side front brake pads (mainly inner pad), then follow advice under Service.

Concerned vehicles are equipped with 16" and 16.5" FNR front brake system, and can be identified with VDN code RE03.

SERVICE:

*If symptom is confirmed and the car is equipped with 16" and 16.5" FNR front brake system (VDN code RE03) then replace brake dust shield PN 32217664 on the right side.

Note: Do not replace the left side dust shield.

Note: Also replace brake pads and if front brake disk been damaged by scoring marks, then also replace the right side brake disk.

VEHICLE REPORT:

Yes, please submit a Vehicle Report if the service solution described in this TJ has no effect. Use concern area "Vehicle Report" and sub concern area "Support not needed", use function group 5115.

To view TJ attachment continue to next page. This TJ has one attachment.



Volvo Car Customer Service

TJ Instruction VCC-509075-1

Title	Brake shield	Page	1 (5)
Action	Product fix	Operation number:	98704-2

Issue	Date	Reason
1	2017-12	First issue

Affected vehicles

Model year	Model
2011, 2012, 2013, 2014, 2015, 2016, 2017	S60 (11-)
2016, 2017	S60 Cross Country
2014, 2015, 2016, 2017	S60L
2007, 2008, 2009, 2010, 2011, 2012, 2013, 2014, 2015, 2016	S80 (07-)
2011, 2012, 2013, 2014, 2015, 2016, 2017	V60
2015, 2016, 2017	V60 Cross Country
2008, 2009, 2010, 2011, 2012, 2013, 2014, 2015, 2016	V70 (08-)
2017	XC60 (-17)
2008, 2009, 2010, 2011, 2012, 2013, 2014, 2015, 2016	XC70 (08-)

Materials

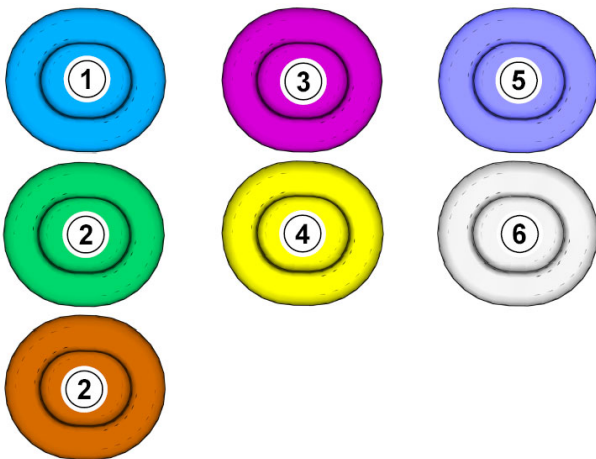
Materials	Qty.	Part No.	Notes
Protecting plate	1.0	32217664	

Removal

Note! Removal steps in this procedure may contain installation details.

Color symbols

Note! Removal steps in this procedure may contain installation details.



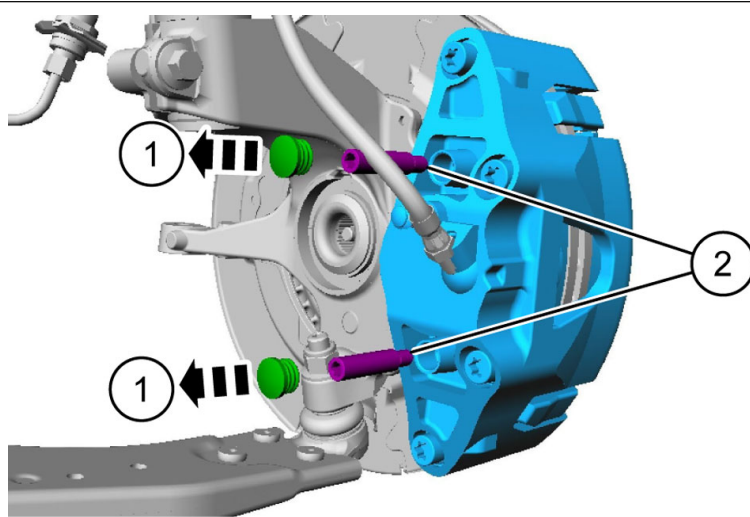
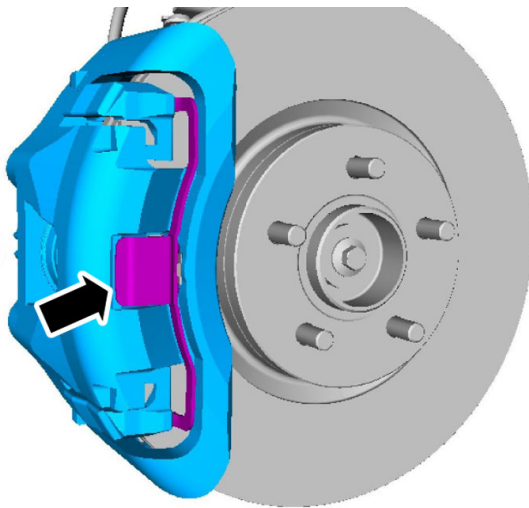
Note! This colour chart displays (in colour print and electronic version) the importance of the different colours used in the images of the method steps.

- 1 . Used for focused component, the component with which you will do something.
- 2 . Used as extra colors when you need to show or differentiate additional parts.
- 3 . Used for attachments that are to be removed/installed. May be screws, clips, connectors, etc.
- 4 . Used when the component is not fully removed from the vehicle but only hung to the side.
- 5 . Used for standard tools and special tools.
- 6 . Used as background color for vehicle components.

On both sides.

Remove the front wheels , refer to:
 Removal, replacement and installation
 7 - Springs and wheels
 77 - Wheels, tyres, hubs
 771 - wheel and wheel trim

Remove the marked part.



Warning! The brake caliper housing Torx bolts must not be removed.

Note! Make sure that the component is suspended in a proper way.

1 . Remove the marked part.

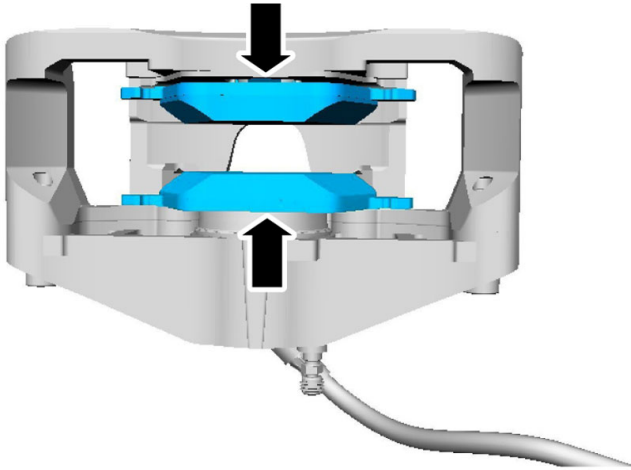
2 . **Torque:** 2017 XC60 (-17)

Slide rail front brake caliper , 60 Nm

Torque: 2007 S80 (07-), 2008 S80 (07-), 2008 V70 (08-), 2008 XC70 (08-), 2009 S80 (07-), 2009 V70 (08-), 2009 XC70 (08-), 2010 XC70 (08-), 2010 V70 (08-), 2010 S80 (07-), 2011 S60 (11-), 2011 V60, 2011 S80 (07-), 2011 V70 (08-), 2011 XC70 (08-), 2012 S80 (07-), 2012 S60 (11-), 2012 V70 (08-), 2012 XC70 (08-), 2012 V60, 2013 S80 (07-), 2013 V70 (08-), 2013 XC70 (08-), 2013 S60 (11-), 2013 V60, 2014 S80 (07-), 2014 V70 (08-), 2014 XC70 (08-), 2014 S60 (11-), 2014 S60L, 2014 V60, 2015 S80 (07-), 2015 V70 (08-), 2015 XC70 (08-), 2015 S60 (11-), 2015 V60, 2015 S60L, 2016 S60 (11-), 2016 V60, 2015 V60 Cross Country, 2016 S80 (07-), 2016 V70 (08-), 2016 XC70 (08-), 2016 S60L, 2016 V60 Cross Country, 2016 S60 Cross Country, 2017 S60 (11-), 2017 S60 Cross Country, 2017 S60L, 2017 V60, 2017 V60 Cross Country

Slide rail front brake caliper , 28 Nm

Remove the marked part.

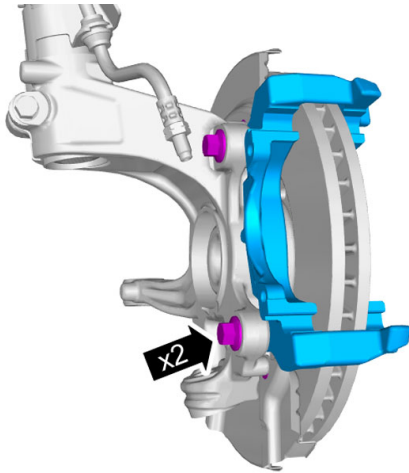


Remove the screws.

Torque:

Mount front brake caliper , 200 Nm

Remove the marked part.

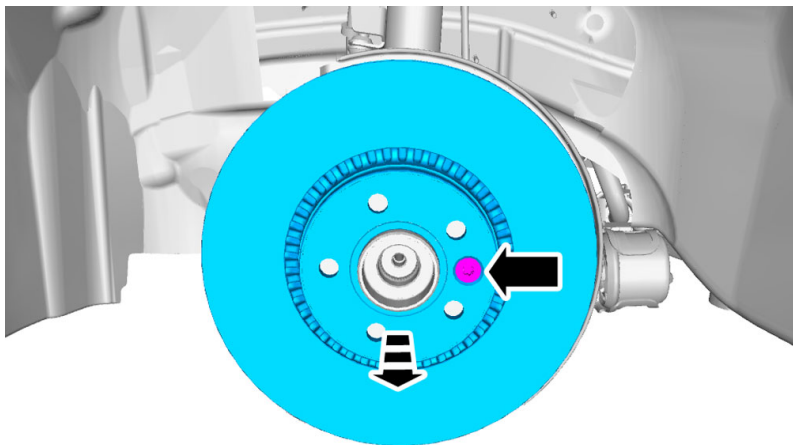


Remove the screw.

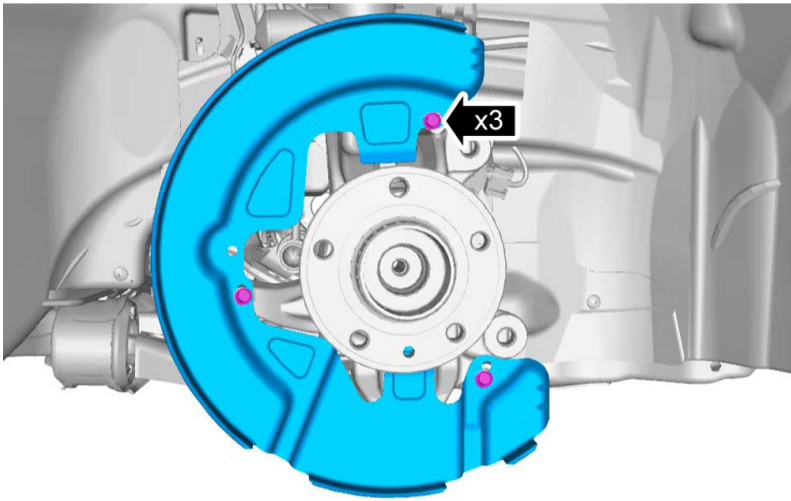
Torque:

Brake disc front to wheel hub , 35 Nm

Remove the marked part.



Applies to the right-hand side



Remove the screws.

Torque:

M6 , 10 Nm

Remove the marked part.

The part is not to be reused.

Installation

To install, reverse the removal procedure.