



Technical Journal

TITLE:

Floor hatch compartment, hard to open or handle too loose

REF NO: TJ 33284.1.2	ISSUING DEPARTMENT: Technical Service	CAR MARKET: United States and Canada	
PARTNER: 3 US 7510 Volvo Car USA		ISSUE DATE: 2018-09-17	STATUS DATE: 2018-09-18
FUNC GROUP: 8516	FUNC DESC: Upholstery for rear shelf	Page 1 of 11	

“Right first time in Time”

Attachment

File Name	File Size
TJ 33284.pdf	2.0340 MB

Vehicle Type

Type	Eng	Eng Desc	Sales	Body	Gear	Steer	Model Year	Plant	Chassis range	Struc Week Range
256							2016-9999		0000561-0999999	201505-999912

CSC Customer Symptom Codes

Code	Description
WF	Cargo area cover/Does not work properly

VST Operation Number

VST Operation Number	Description
98715-2	Handle floor hatch adjust acc.to TJ33284

DTC Diagnostic Trouble Codes

Rows beginning with * are modified

Note! If using a printed copy of this Technical Journal, first check for the latest online version.

Text

**DESCRIPTION:**

*Text added to page 7/ Extra step added to the last page, if needed.

If the luggage compartment hatch is hard to open or if the handle feels loose, follow instructions under Service.

SERVICE:

Follow attached instruction.

VEHICLE REPORT:

Yes, please submit a Vehicle Report if the service solution described in this TJ has no effect. Use concern area "Vehicle Report" and sub concern area "Support not needed", use function group 8516.

To view TJ attachment continue to next page. This TJ has one attachment.



Volvo Car Customer Service

TJ Instruction VCC-513383-2

Title	Floor hatch handle	Page	1 (9)
Action	Product fix	Operation number:	98715-2

Issue	Date	Reason
1	2018-07	First issue
2	2018-09	Technical content change

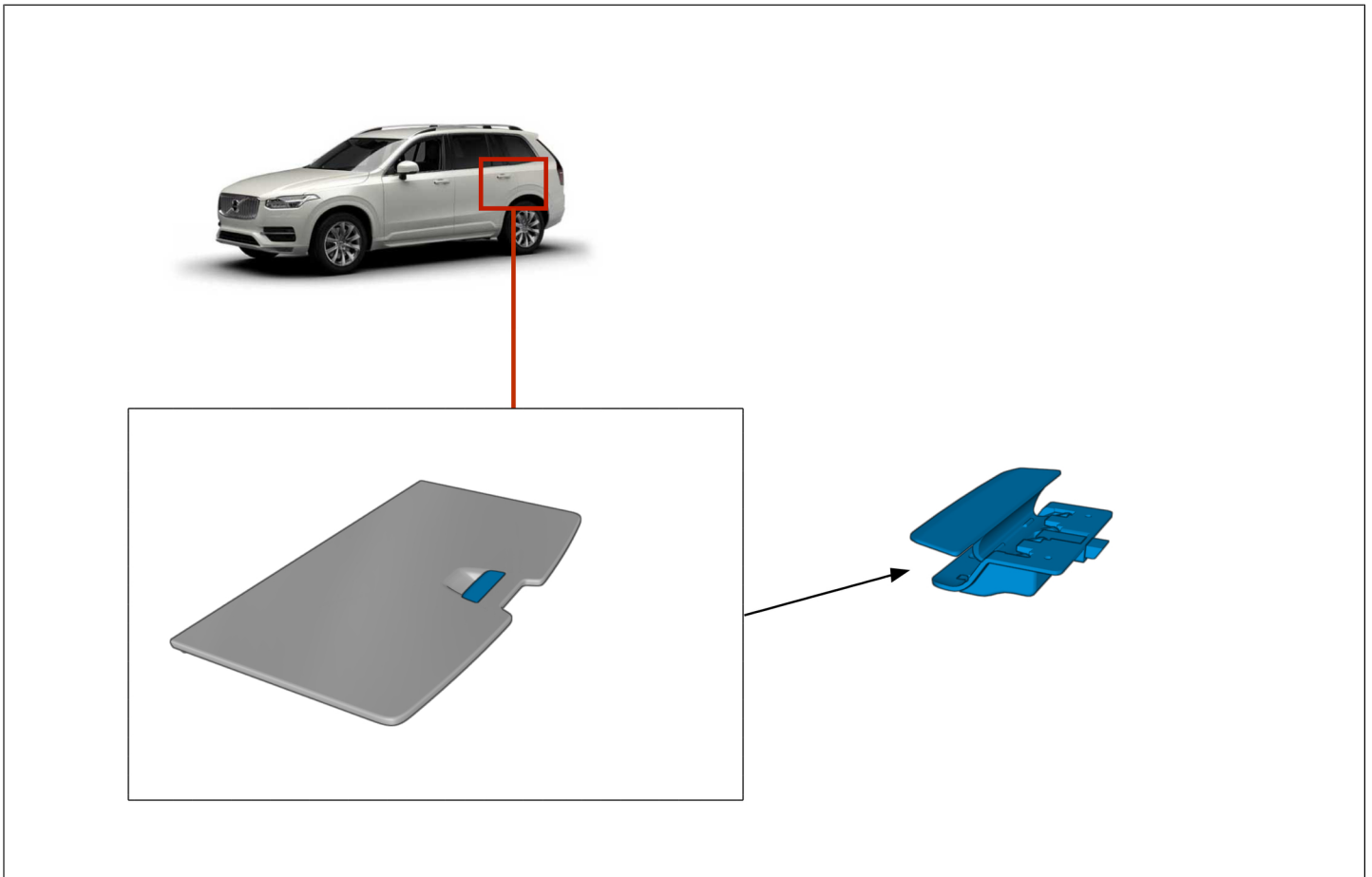
Affected vehicles

Model year	Model
2016, 2017, 2018, 2019	XC90 (16-)

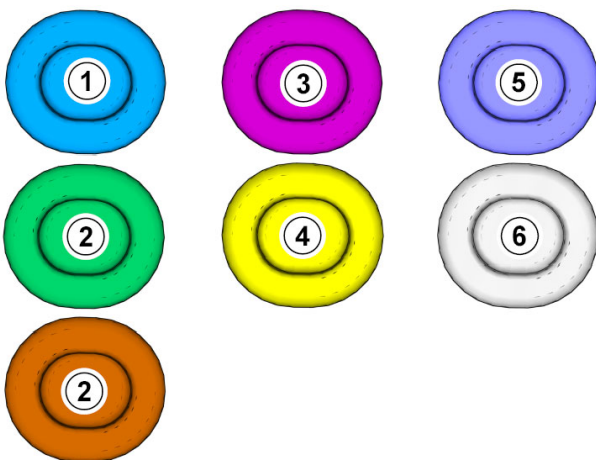
Equipment

Designation	Part No.
Interior trim remover	
File	

Orientation view



Color symbols



Note! This colour chart displays (in colour print and electronic version) the importance of the different colours used in the images of the method steps.

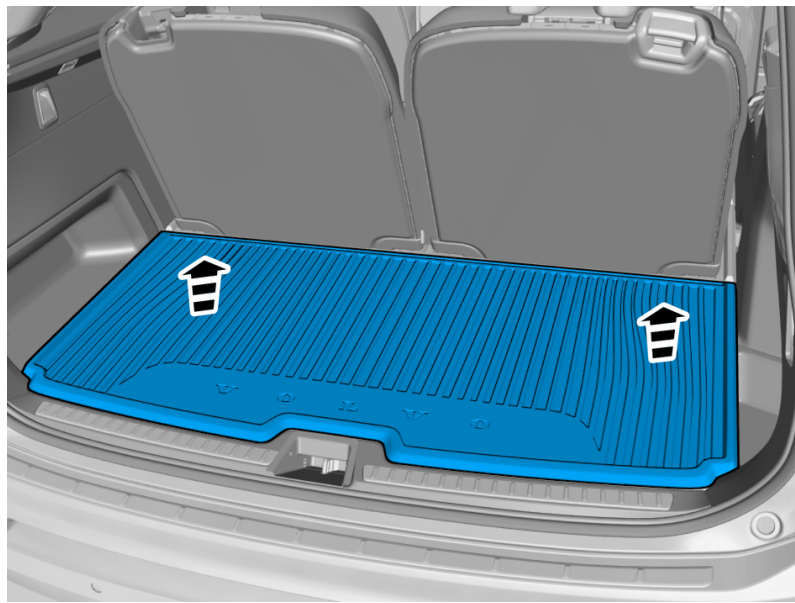
- 1 . Used for focused component, the component with which you will do something.
- 2 . Used as extra colors when you need to show or differentiate additional parts.
- 3 . Used for attachments that are to be removed/installed. May be screws, clips, connectors, etc.
- 4 . Used when the component is not fully removed from the vehicle but only hung to the side.
- 5 . Used for standard tools and special tools.
- 6 . Used as background color for vehicle components.

Preparation

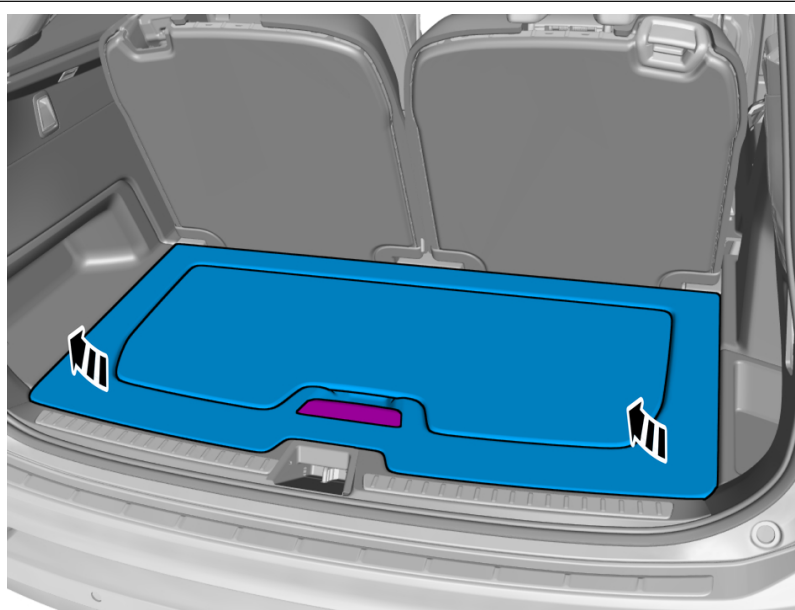
Open the tailgate.

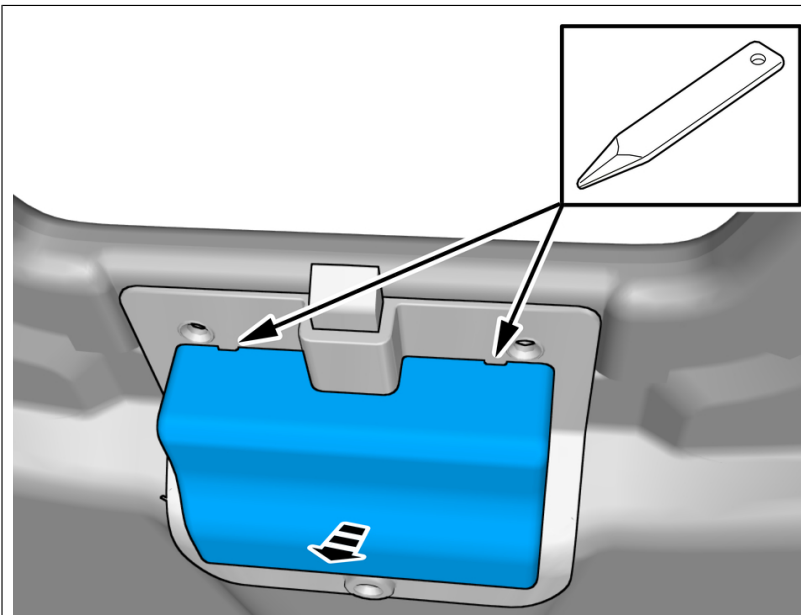
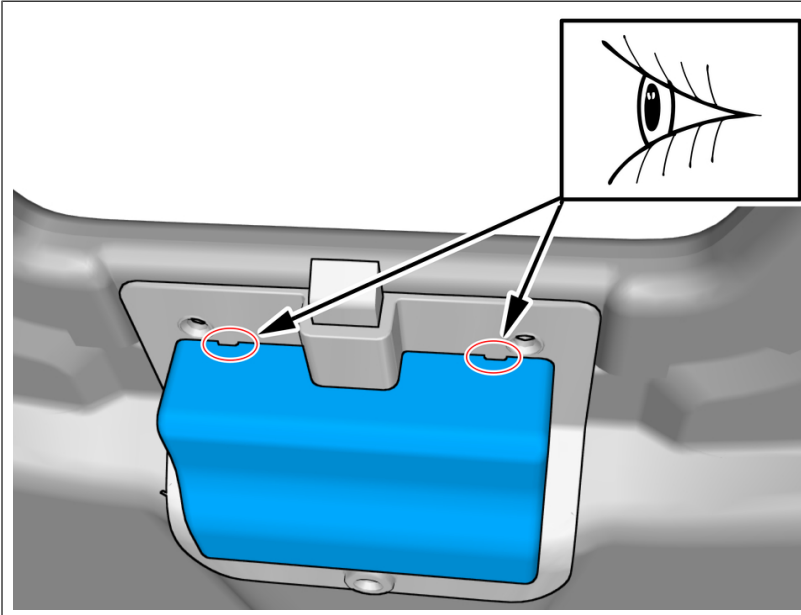
Removal

Remove the marked part.

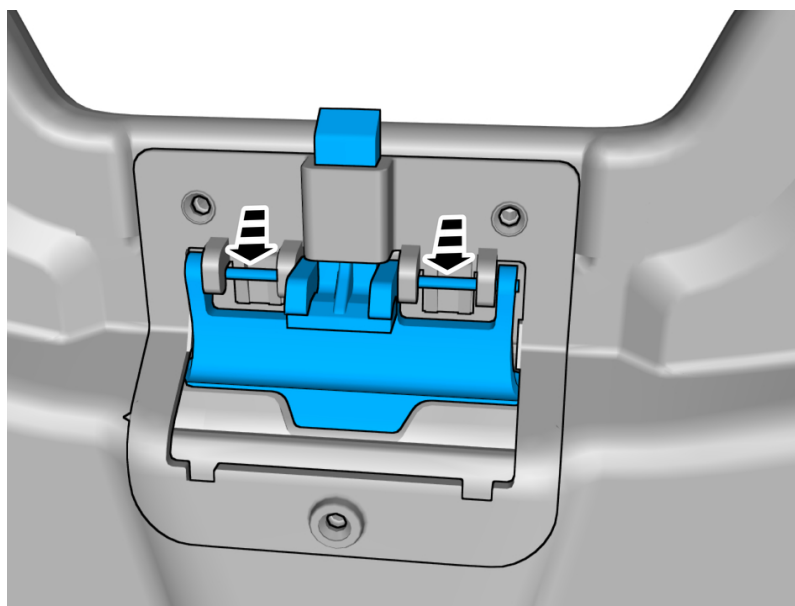


Remove the marked part.



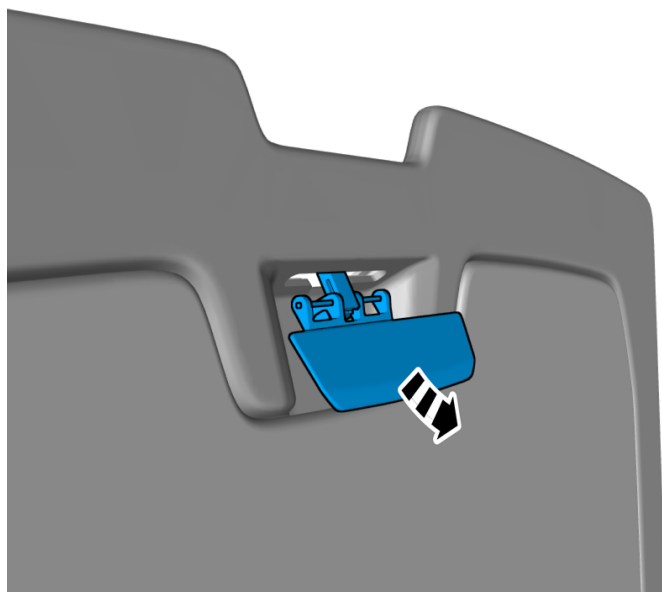


Use: Interior trim remover
Remove the part carefully
Remove the marked part.



Caution! Make sure that the component is positioned correctly.

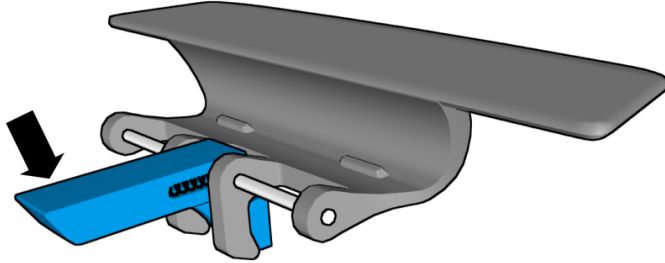
Remove the part carefully



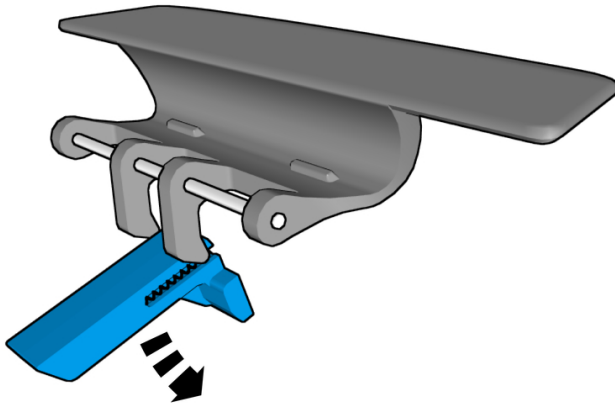
Remove the marked part.

Caution! Make sure that the component is positioned correctly.

Remove the part carefully

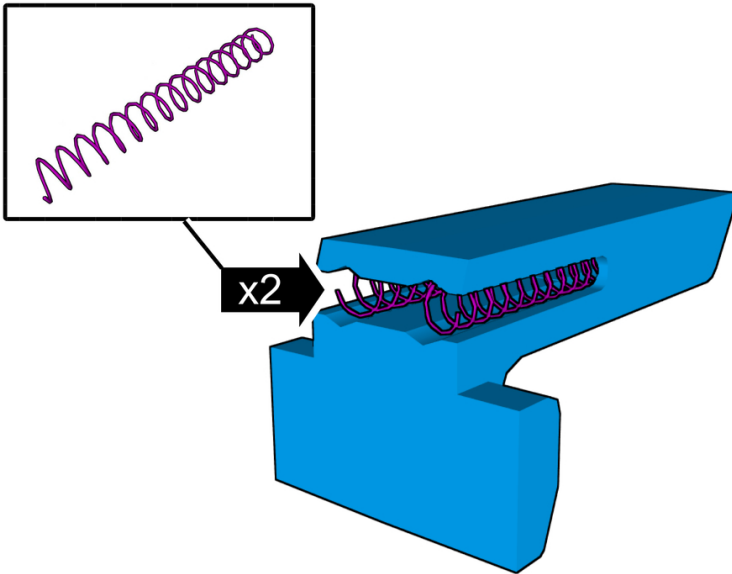


Remove the marked part.

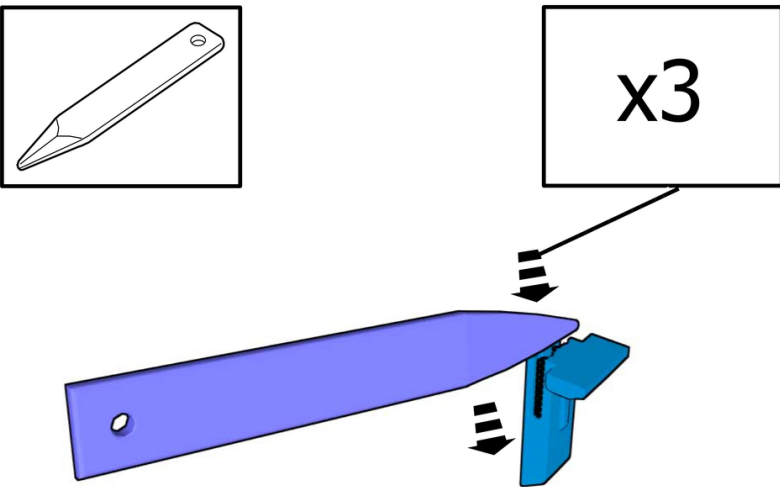


Adjustment

Note! Note the position.



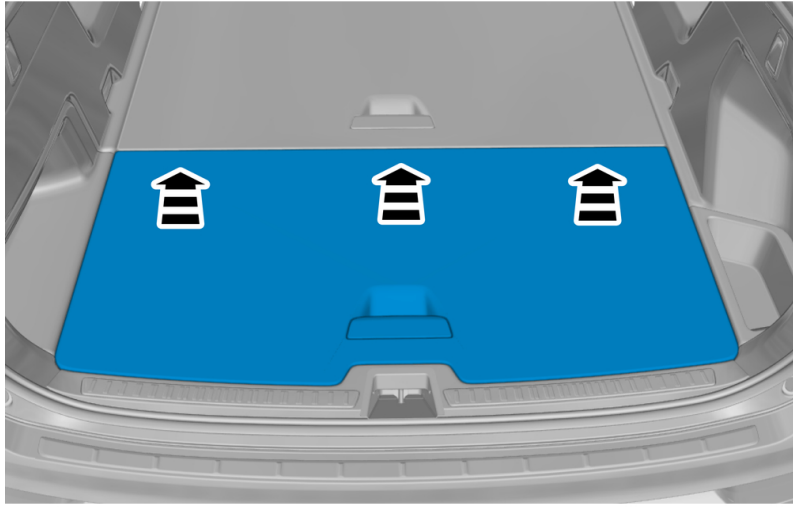
Note! The spring does not need to be removed or stretched. Picture shows the spring location.



Installation

To install, reverse the removal procedure.

Check



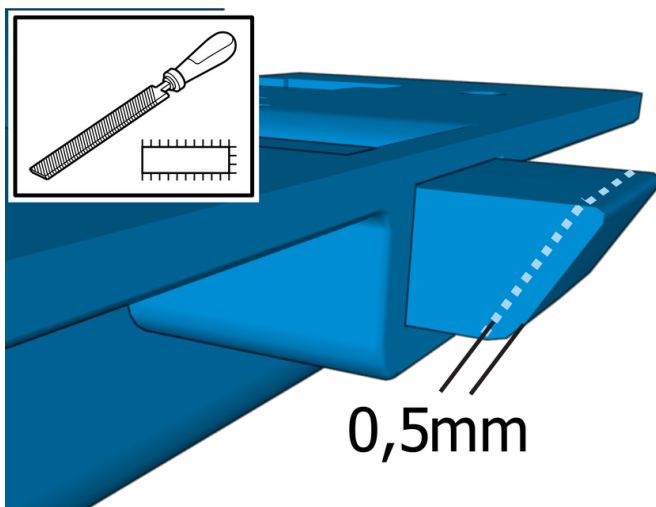
Caution! Make sure that the component is positioned correctly.

Check for correct operation.

Lock tab is not to be caught or scratched against the sill when opened.

Warning! Make sure that the locking mechanism engages and locks correctly.

Only perform the following steps if the previous adjustment was insufficient.

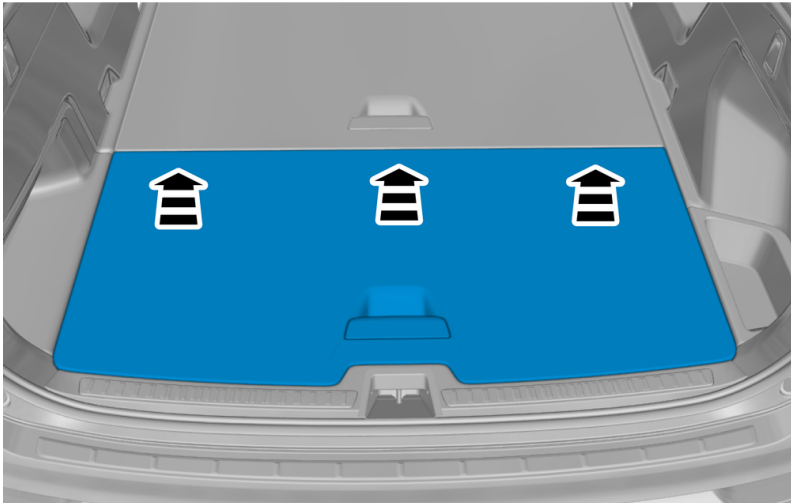


Remove matter following information in the graphic.

Use: File

Check

Check for correct operation.



Caution! Make sure that the component is positioned correctly.

Lock tab is not to be caught or scratched against the sill when opened.

Warning! Make sure that the locking mechanism engages and locks correctly.

It may be necessary to repeat the method step until the check shows the correct result.