



Technical Journal

TITLE:

Climate system, unusual noise when AC compressor is running

REF NO: TJ 32273.3.0	ISSUING DEPARTMENT: Technical Service	CAR MARKET: United States and Canada	
PARTNER: 3 US 7510 Volvo Car USA		ISSUE DATE: 2018-05-14	STATUS DATE: 2018-05-16
FUNC GROUP: 8745	FUNC DESC: Evaporator; expansion valve	Page 1 of 7	

“Right first time in Time”

Attachment

File Name	File Size
Streaming noise.mp4	5.2361 MB
TJI-498307-4_1_1_en-US.pdf	1.6637 MB

Vehicle Type

Type	Eng	Eng Desc	Sales	Body	Gear	Steer	Model Year	Plant	Chassis range	Struc Week Range
124							2015-9999		0186001-0999999	201420-999952
134							2015-9999		0332010-0999999	201420-999952
136							2015-9999		0204001-0999999	201420-999952
137							2016-9999		0000019-0999999	201524-999952
138							2016-9999		0010979-0999999	201421-999952
155							2015-9999		2017001-0999999	201420-999952
156							2015-9999		0628001-0999999	201420-999952
157							2015-9999		0000022-0999999	201450-999952

CSC Customer Symptom Codes

Code	Description
D5	Climate control system/Unusual noise



VST Operation Number

VST Operation Number	Description
98661-2	Pipe evaporator adjust acc. to TJ32273

DTC Diagnostic Trouble Codes

Rows beginning with * are modified

Note! If using a printed copy of this Technical Journal, first check for the latest online version.

Text

DESCRIPTION:

Unusual noise from the climate system may be heard when the AC compressor is running. Noise can be described as a streaming sound. See attached [sound file](#) for better understanding.

SERVICE:

Insulation of the evaporator pipes according the attached instruction.

P3 LHD cars - TJI-498307-4-1-1

For P3 LHD cars its not possible to add the insulation without removal of the complete dashboard in order reach the evaporator pipes. Follow the instruction TJI-498307-4_1_1.

VEHICLE REPORT:

Yes, please submit a Vehicle Report if the service solution described in this TJ has no effect. Use concern area "Vehicle Report" and sub concern area "Support not needed", use function group 8745.

To view TJ attachments continue to next page. This TJ has two attachments.



Title	Evaporator	Page	1 (5)
Action	Product fix	Operation number:	98661-2

Issue	Date	Reason
1	2018-05	Change in Affected Vehicles

Affected vehicles

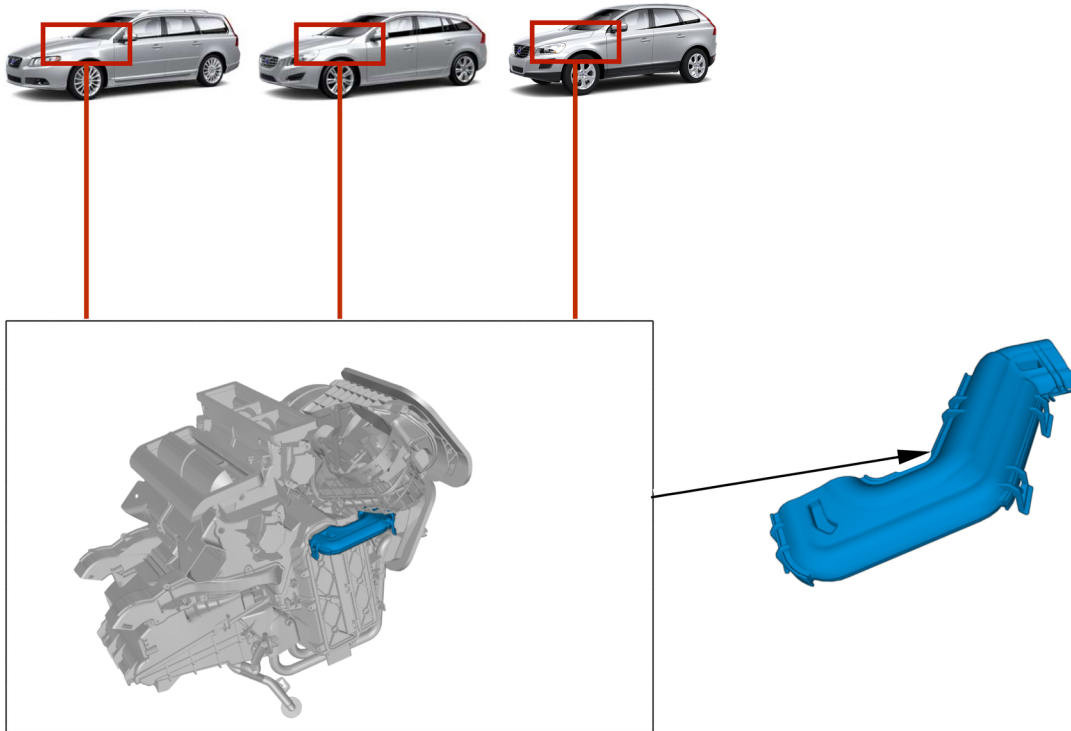
Model year	Model	Engine	Steering
2015, 2016, 2017, 2018	S60 (11-)	B4154T4, T5, T6 B4204T11, T12, T19, T37, T41, T43	L.H.D
2016, 2017, 2018	S60 Cross Country	B4204T11	L.H.D
2016, 2017, 2018	S60L	B4154T4 B4204T11, T19, T32	L.H.D
2015, 2016	S80 (07-)	B4204T11, T12	L.H.D
2015, 2016, 2017, 2018	V60 (-18)	B4154T4, T5, T6 B4204T11, T12, T19, T37, T41, T43, T9D4	L.H.D
2016, 2017, 2018	V60 Cross Country	B4204T11	L.H.D
2015, 2016	V70 (08-)	B4204T11, T19	L.H.D
2015, 2016, 2017	XC60 (-17)	B4204T11, T12, T15, T41, T7, T9	L.H.D
2015, 2016	XC70 (08-)	B4204T11	L.H.D

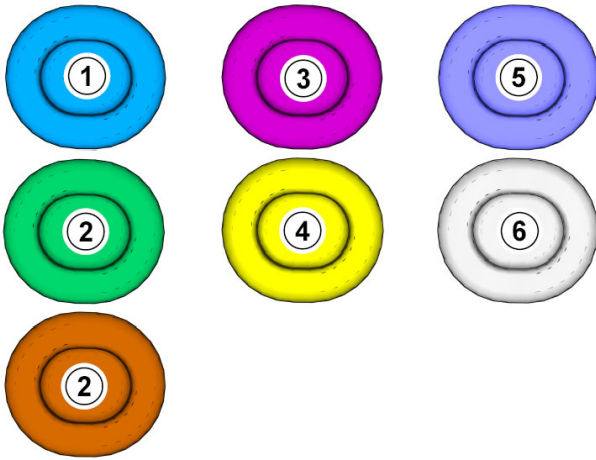
Materials

Materials	Qty.	Part No.	Notes
Sealing	2.0	31477917	

Removal

Note! Removal steps in this procedure may contain installation details.

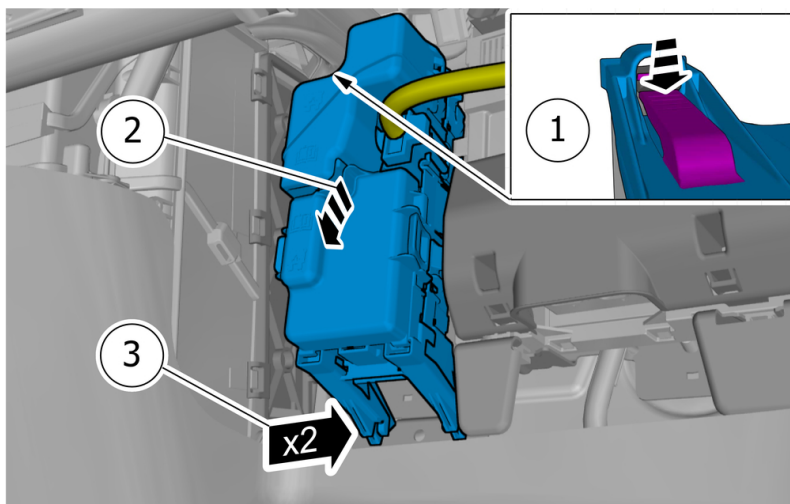




Note! This colour chart displays (in colour print and electronic version) the importance of the different colours used in the images of the method steps.

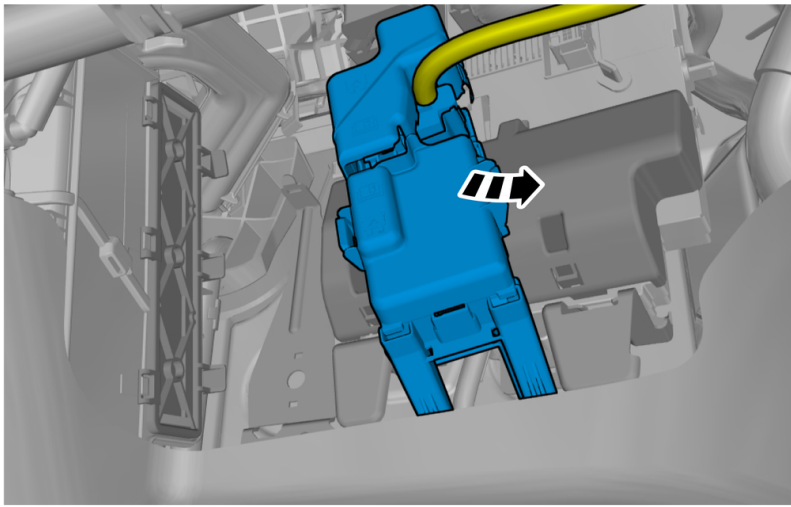
- 1 . Used for focused component, the component with which you will do something.
- 2 . Used as extra colors when you need to show or differentiate additional parts.
- 3 . Used for attachments that are to be removed/installed. May be screws, clips, connectors, etc.
- 4 . Used when the component is not fully removed from the vehicle but only hung to the side.
- 5 . Used for standard tools and special tools.
- 6 . Used as background color for vehicle components.

Remove the dashboard , refer to:
 Removal, replacement and installation
 8 - Body and interior
 88 - Interior equipment
 881 - instrument and radio panel



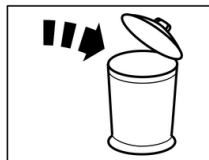
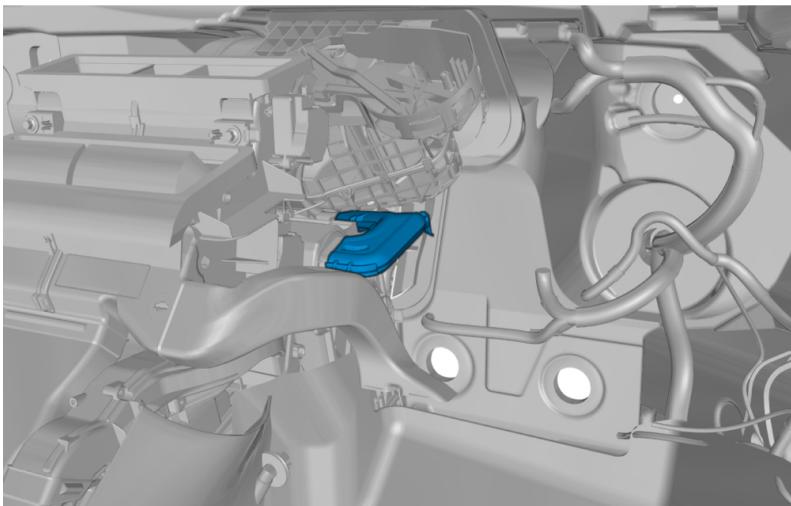
Fold marked part to one side.

- 1 . Release the lock.
- 2 . Remove the part carefully
- 3 . Release the catches.

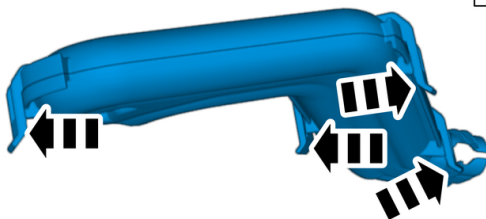


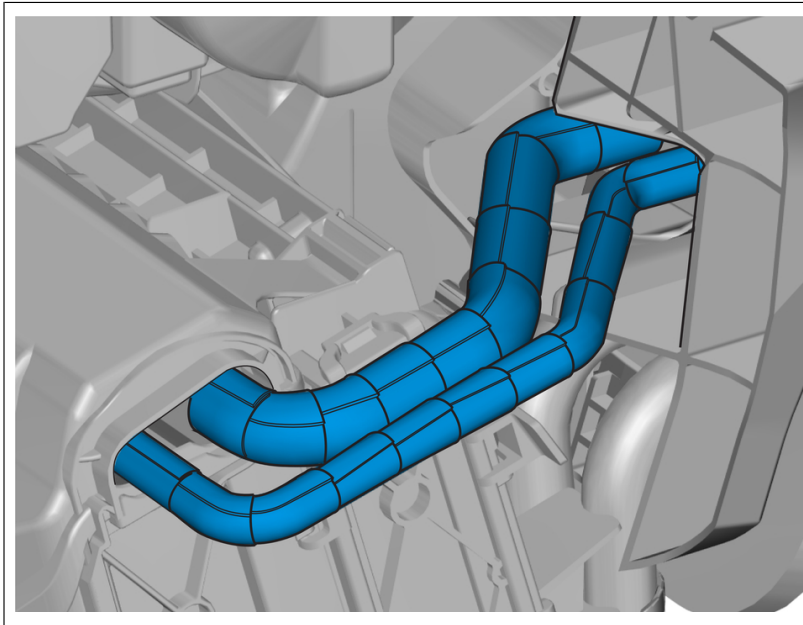
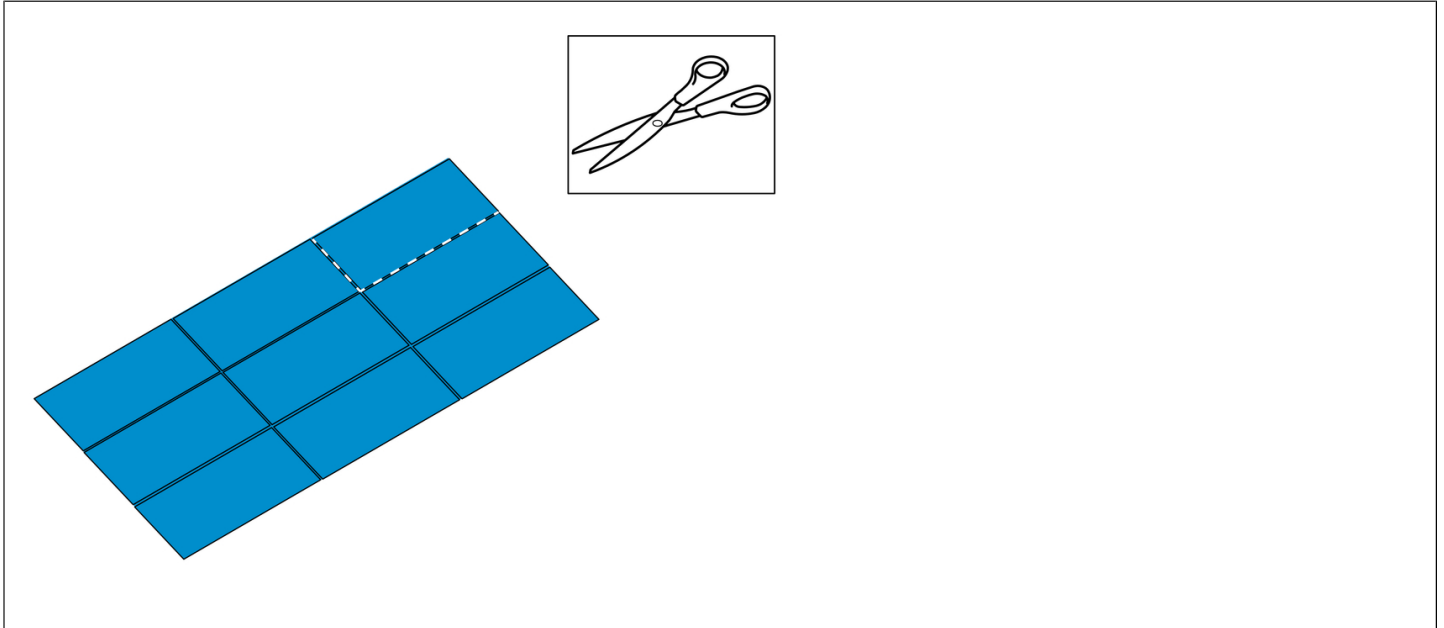
Fold marked part to one side.

Note! Orientation view



Release the locks.
Remove the marked detail/details.
Remove the insulation material.





Apply the stated Material on the marked surface.

Installation

To install, reverse the removal procedure.