

DAIMLER

Nov 26, 2018

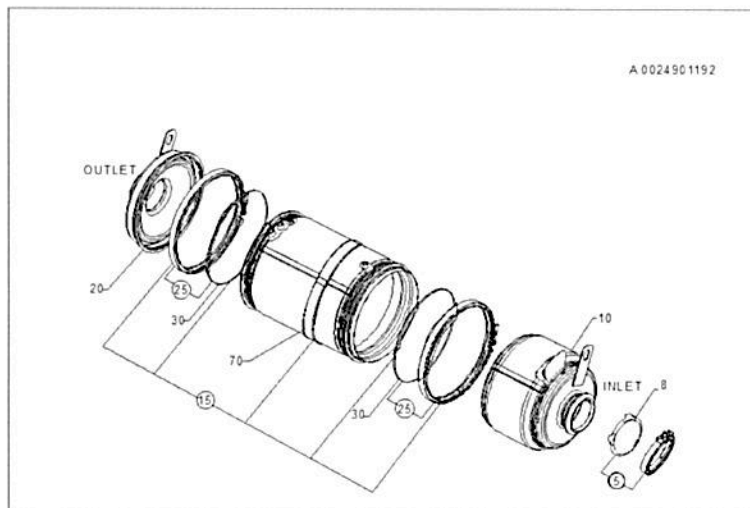
Mr. Steve Batho
 Director, Customer Service
 Motor Coach Industries

Re: Special Coverage Extension for Coach USA DD13 GHG17 After Treatment

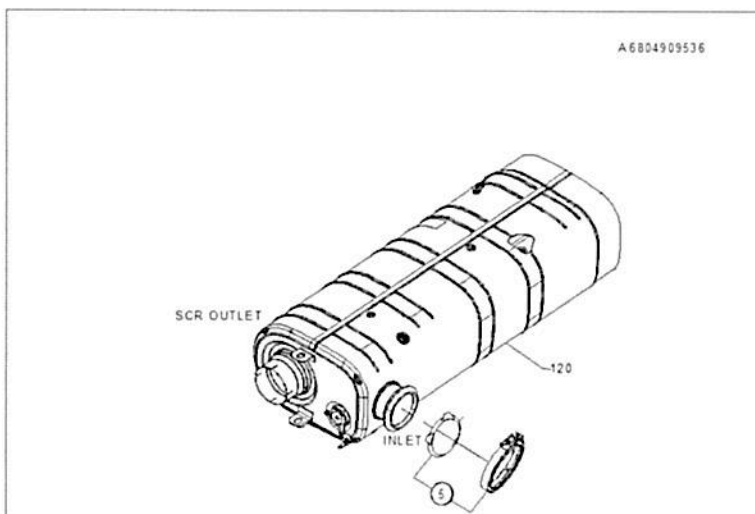
Dear Steve:

Detroit Diesel Corporation has agreed to provide a goodwill 2 year/200,000 mile coverage extension on specific after treatment components for the 74 model year 2016 & 2017 DD13 GHG17 MCI units owned and operated by Coach USA.

The 2 year/200,000 mile extension applies to repairs necessary as a result of defects in material or workmanship. This extension is limited to the components shown below – i.e. diesel oxidation catalyst, diesel particulate filter and SCR catalyst. The total coverage period will be 7 years or 700,000 miles, whichever occurs first.



Calout	Part Number	Qty	Description
<input type="checkbox"/>	A0024901192	001	PARTICULATE FILTER
NO LONGER AVAILABLE. ORDER INDIVIDUAL PARTS			
SA: 53711194			
<input type="checkbox"/>	005 A0019959702	002	TS RFE CLAMP
SA: 53711194			
<input type="checkbox"/>	008 A4709971245	002	SEALING RING
SA: 53711194			
<input type="checkbox"/>	010 A6804901856	001	TS OXIDATION CAT CONV
EXCHANGE PART - WHEN YOU ORDER THIS PART PLEASE ADD THE PREFIX "E" IN FRONT OF THE PART			
SA: 53711194			
<input type="checkbox"/>	015 A0014907792	001	TS DPF
EXCHANGE PART - WHEN YOU ORDER THIS PART PLEASE ADD THE PREFIX "E" IN FRONT OF THE PART			
SA: 53711194			
<input type="checkbox"/>	020 A6804922355	001	EXHAUST OUTLET
SA: 53711194			
<input type="checkbox"/>	025 A0019959802	002	TS RFE CLAMP
SA: 53711194			
<input type="checkbox"/>	030 A4709971145	002	SEALING RING
<input type="checkbox"/>	070 A6809950502	001	RFE CLAMP
SA: 53711194			



Calout	Part Number	Qty	Description
<input type="checkbox"/>	005 A0019959702	002	TS RFE CLAMP
SA: 53711194			
<input type="checkbox"/>	A6804909536	001	SCR CATALYTIC CONVERTER
NO LONGER AVAILABLE. ORDER INDIVIDUAL PARTS			
SA: 53711194			
<input type="checkbox"/>	120 A6804909136	001	OXIDATION CAT CONVERTER
EXCHANGE PART - WHEN YOU ORDER THIS PART PLEASE ADD THE PREFIX "E" IN FRONT OF THE PART			
SA: 53711194			

This is not an extension of EW4 which will remain at 5 years or 500,000 miles whichever occurs first. In-service dates will remain as originally entered into the DDC warranty system.

Diesel particulate filter maintenance must be performed as outlined below:

SPN 3720/FMI 15 - GHG17

Diesel Particulate Filter Has Reached the End of its Service Life

*Replace DPF and perform the Ash Accumulator reset using DiagnosticLink®. **(Note that DPF maintenance should not be performed prior to the activation of SPN 3720/FMI 15)***

The DPF lamp will illuminate and code 3720/15 will log when the coach reaches the appropriate mileage interval. This fault indicates that the DPF needs to be replaced and the DPF Ash Accumulator Routine in DiagnosticLink must be completed. This routine can be found in the Actions drop-down menu and must be completed after the DPF has been replaced.

Cleaning accumulated ash from the DPF is a necessary part of vehicle maintenance and is the operator's responsibility.

This special coverage applies to the 74 Coach USA GHG17 units exclusively.

Sincerely,

Dale Allemang
Director, Field Service
DTNA