



Technical Journal

TITLE:

Addition of USB Hub and Android Auto

| | | | |
|--|--|--|-----------------------------------|
| REF NO: TJ 34222.1.1 | ISSUING DEPARTMENT: Technical Service | CAR MARKET: United States and Canada | |
| PARTNER: 3 US 7510 Volvo Car USA | | ISSUE DATE: 2018-10-24 | STATUS DATE: 2018-10-31 |
| FUNC GROUP: 3900 | FUNC DESC: Media, navigation and communication | Page 1 of 29 | |

“Right first time in Time”

Attachment

| File Name | File Size |
|--------------------------|-----------|
| Instruction_TJ 34222.pdf | 1.8335 MB |

Vehicle Type

| Type | Eng | Eng Desc | Sales | Body | Gear | Steer | Model Year | Plant | Chassis range | Struc Week Range |
|------|-----|----------|-------|------|------|-------|------------|-------|-----------------|------------------|
| 256 | | | | | | | 2016-2016 | | 0000000-0095354 | 201505-201616 |

CSC Customer Symptom Codes

| Code | Description |
|------|--|
| ZY | Electrical system/Component electrical system wrong installation/missing |
| 7S | Cellular phone/Other cellular phone problems |

VST Operation Number

| VST Operation Number | Description |
|----------------------|-------------------------------------|
| 39925-2 | Smartphone integration, new install |

DTC Diagnostic Trouble Codes

Rows beginning with * are modified

Note! If using a printed copy of this Technical Journal, first check for the latest online version.

Text

**DESCRIPTION:**

Model year 2016 XC90s were built with a single USB port which is not capable of supporting Android Auto functionality.

Should a customer request to have this functionality added to their car, it can be added at no cost to them by following the instructions under Service.

SERVICE:

The accessory kit for Smartphone Integration on cars without a dual USB hub must be installed. Kit part number (PN) and application Software Product (SP) are listed below. Installation instructions are attached.

Installation Kit: PN 32204786

Software:

Add USB Application: SP 32204602

Smartphone Integration: SP 31659192

Further information can be found on the accessories website:

[https://accessories.volvocars.com/en-us/XC90\(16-\)/Accessories/Document/VCC-512460/2016](https://accessories.volvocars.com/en-us/XC90(16-)/Accessories/Document/VCC-512460/2016)

Warranty Notes:

- Only the vehicles in the range specified above can have the hub installation claimed under warranty.
- Reference this TJ in the claim text for appropriate processing
- This upgrade should only be installed if requested by a customer

VEHICLE REPORT:

Not Required

To view TJ attachment continue to next page. This TJ has one attachment.



Installation instructions, accessories

Volvo Car Corporation Gothenburg, Sweden

| Instruction No | Version | Part. No. |
|----------------|---------|-----------|
| 32204787 | 1.0 | 32204786 |

Integrated smartphone

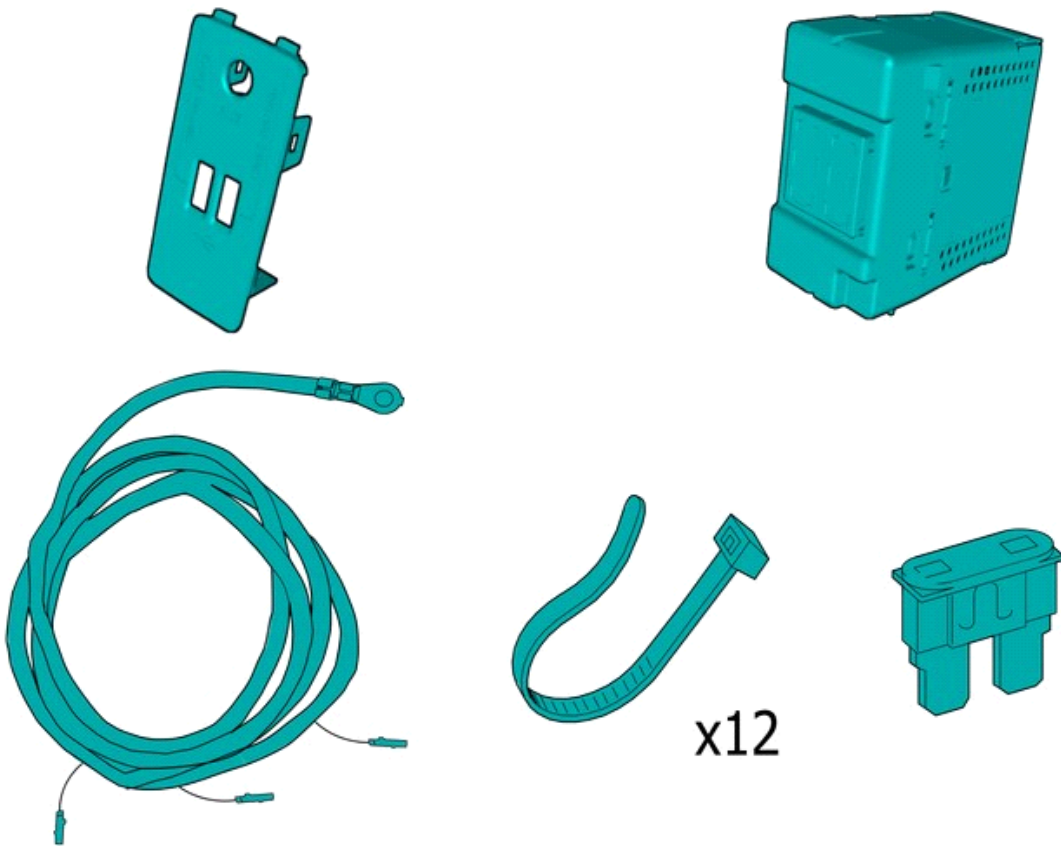


Installation instructions, accessories

Volvo Car Corporation Gothenburg, Sweden

Materials

| Designation | Part number |
|-------------------|-------------|
| Cable tie, 750 mm | 988734 |
| Electrical tape | |



IMG-448339



Installation instructions, accessories

Volvo Car Corporation Gothenburg, Sweden

Information

1

Read through all of the instructions before starting installation.

Notifications and warning texts are for your safety and to minimise the risk of something breaking during installation.

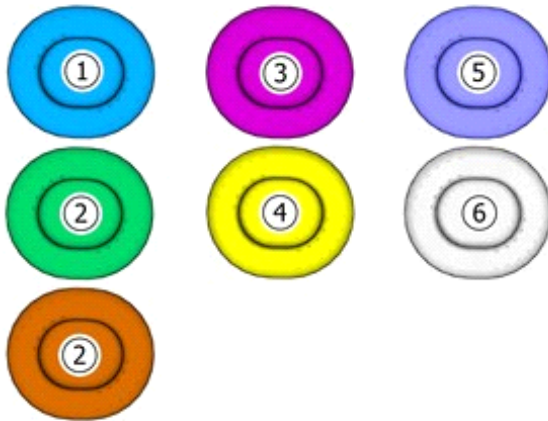
Ensure that all tools stated in the instructions are available before starting installation.

Certain steps in the instructions are only presented in the form of images. Explanatory text is also given for more complicated steps.

In the event of any problems with the instructions or the accessory, contact your local Volvo dealer.

Color symbols

2



IMG-363036

Note!

This colour chart displays (in colour print and electronic version) the importance of the different colours used in the images of the method steps.

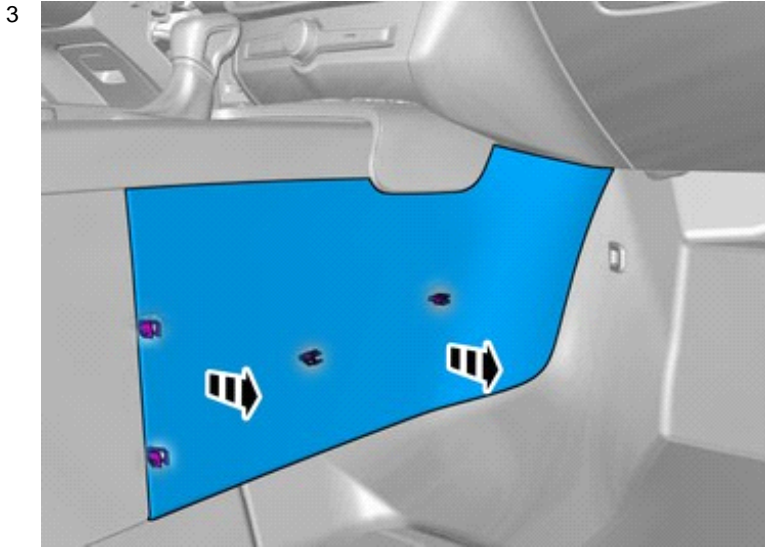
1. Used for focused component, the component with which you will do something.
2. Used as extra colors when you need to show or differentiate additional parts.
3. Used for attachments that are to be removed/installed. May be screws, clips, connectors, etc.
4. Used when the component is not fully removed from the vehicle but only hung to the side.
5. Used for standard tools and special tools.
6. Used as background color for vehicle components.

Removal



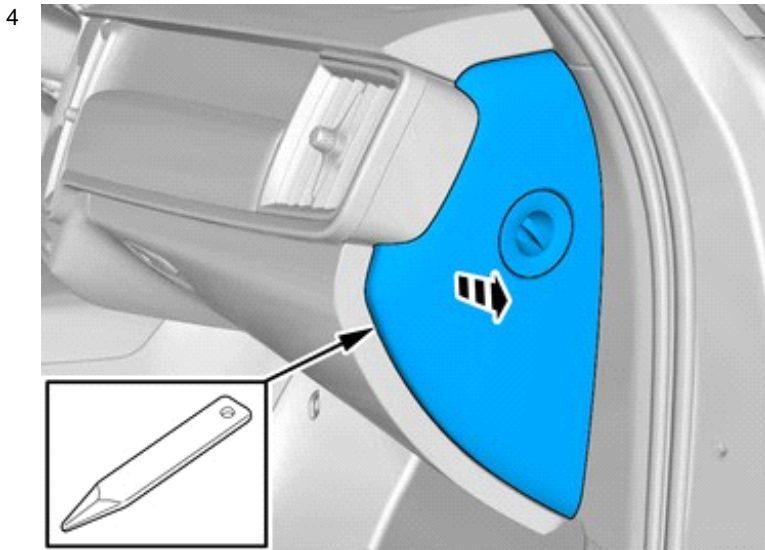
Installation instructions, accessories

Volvo Car Corporation Gothenburg, Sweden



Remove the panel.

IMG-414590



Remove the panel.

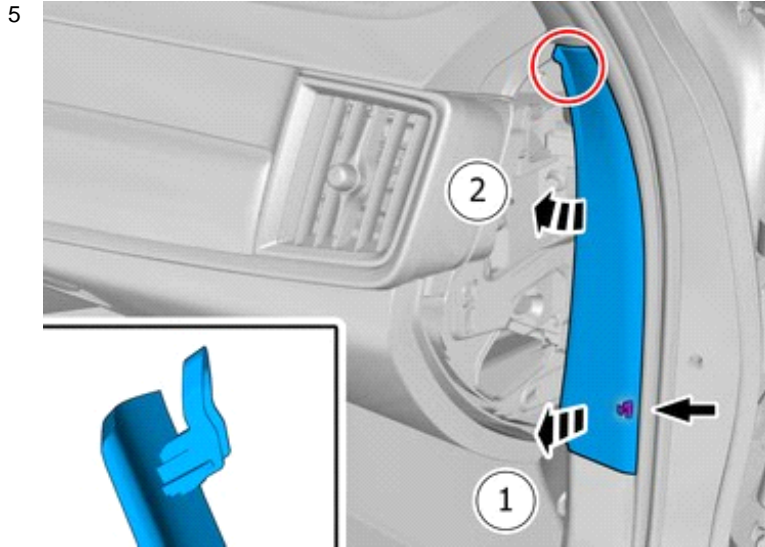
Disconnect the connector.

IMG-412242

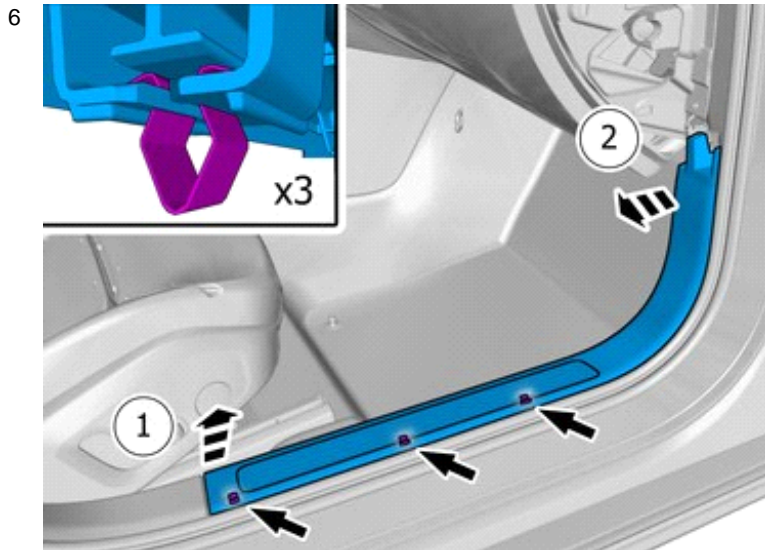


Installation instructions, accessories

Volvo Car Corporation Gothenburg, Sweden



IMG-414575

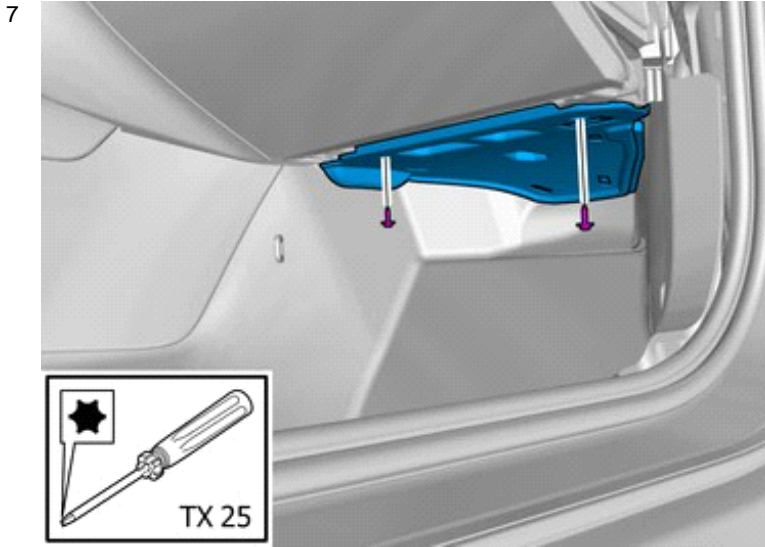


IMG-414580



Installation instructions, accessories

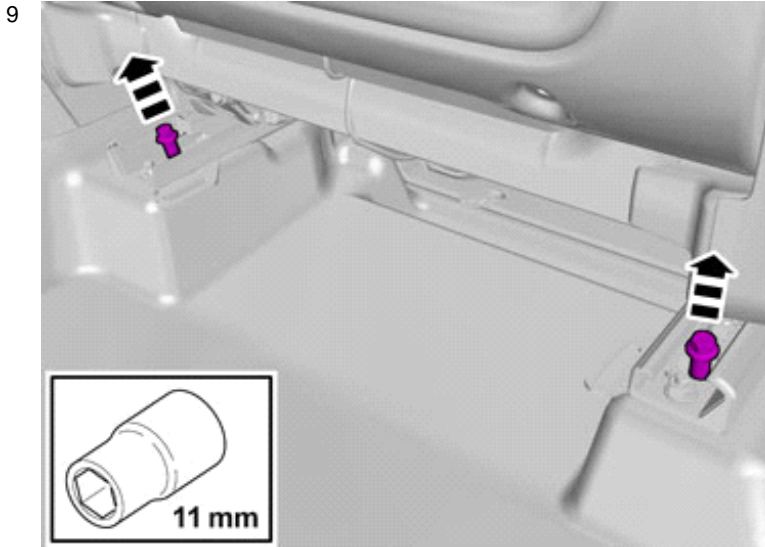
Volvo Car Corporation Gothenburg, Sweden





Installation instructions, accessories

Volvo Car Corporation Gothenburg, Sweden



Remove the screws.

Tightening torque: Front seat to body , 40 Nm

IMG-383130



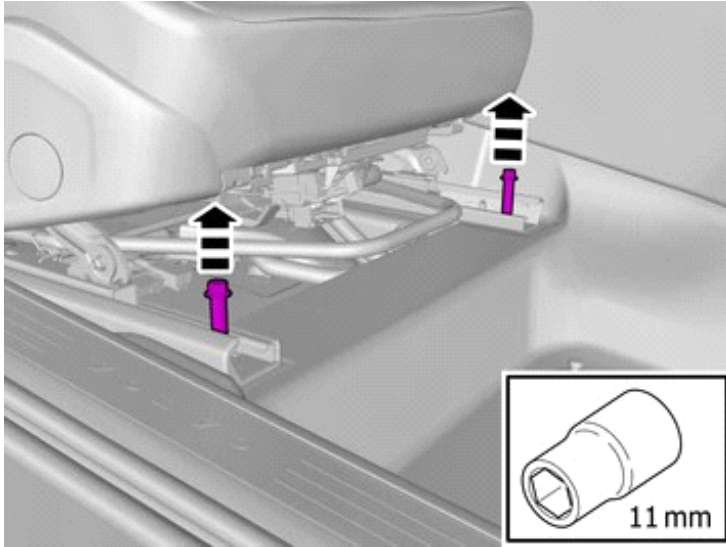
IMG-414525



Installation instructions, accessories

Volvo Car Corporation Gothenburg, Sweden

11

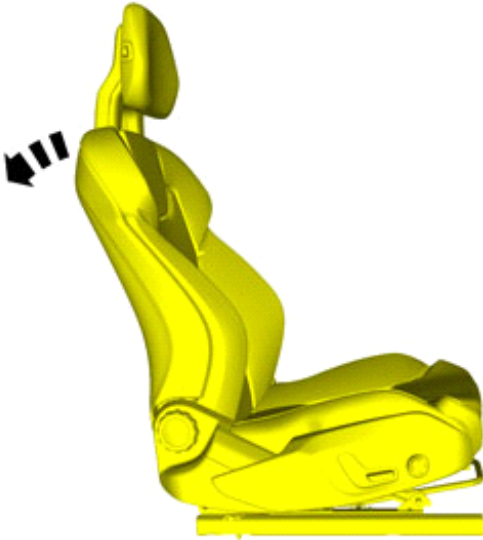


IMG-414515

Remove the screws.

Tightening torque: Front seat to body , 40 Nm

12



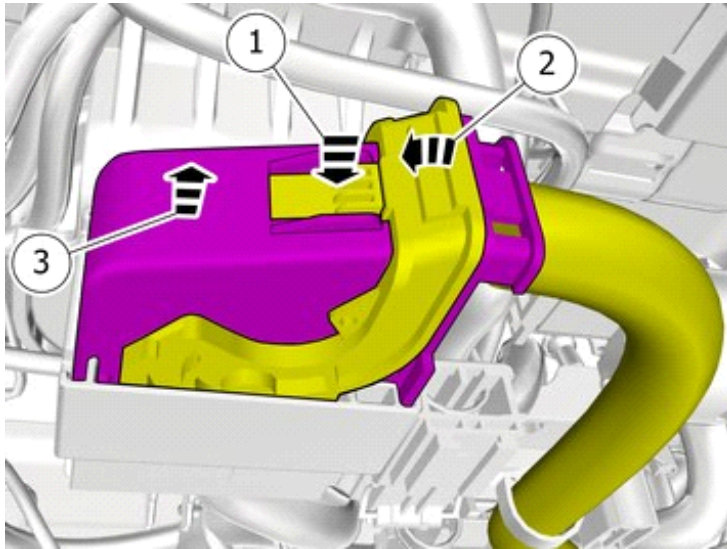
IMG-383134



Installation instructions, accessories

Volvo Car Corporation Gothenburg, Sweden

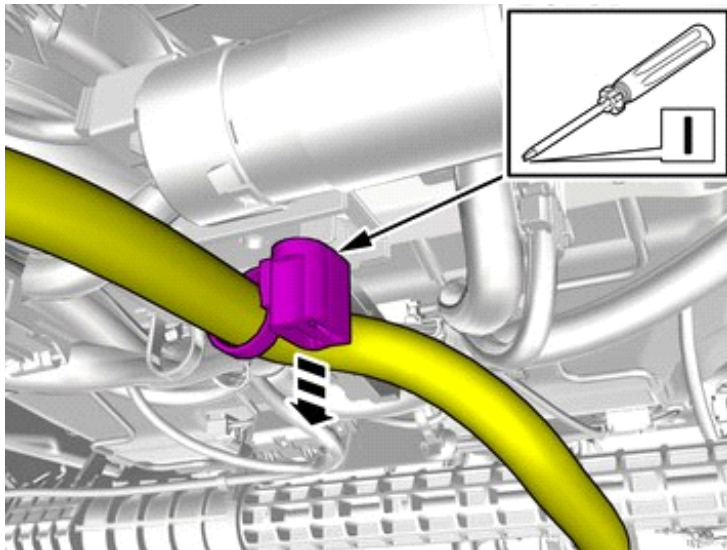
13



IMG-396605

Disconnect the connector.

14



IMG-396606

Unhook the cable harness clips.



Installation instructions, accessories

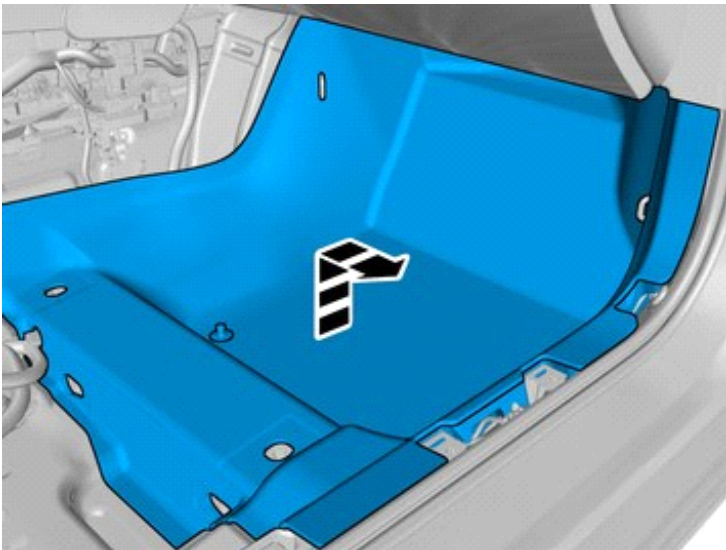
Volvo Car Corporation Gothenburg, Sweden

15



IMG-414526

16



IMG-415092

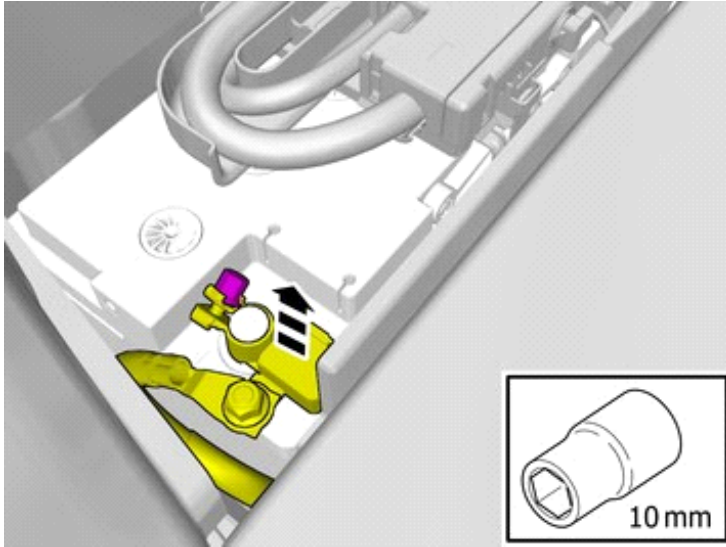
Remove the marked part.



Installation instructions, accessories

Volvo Car Corporation Gothenburg, Sweden

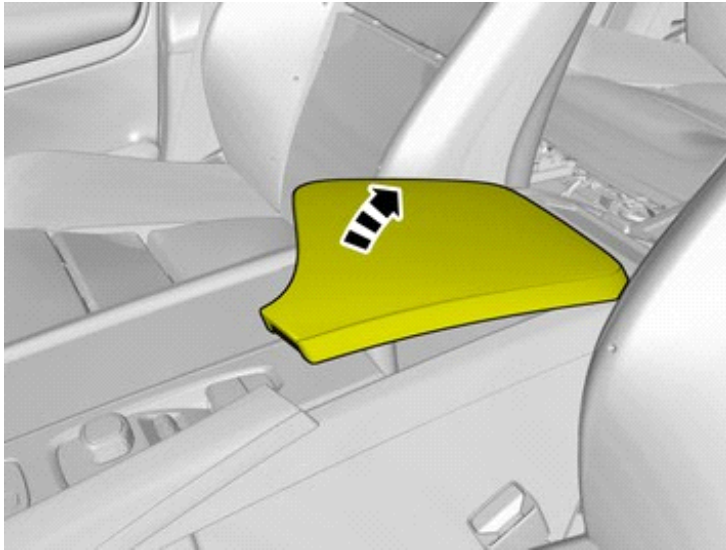
17



IMG-394520

Remove the battery's negative cable.

18



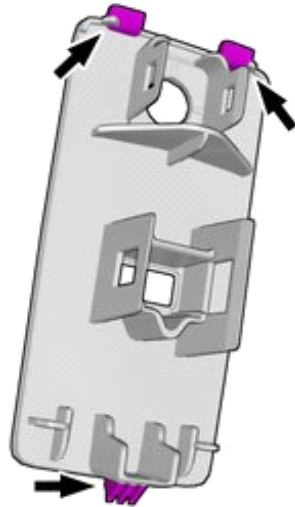
IMG-439801



Installation instructions, accessories

Volvo Car Corporation Gothenburg, Sweden

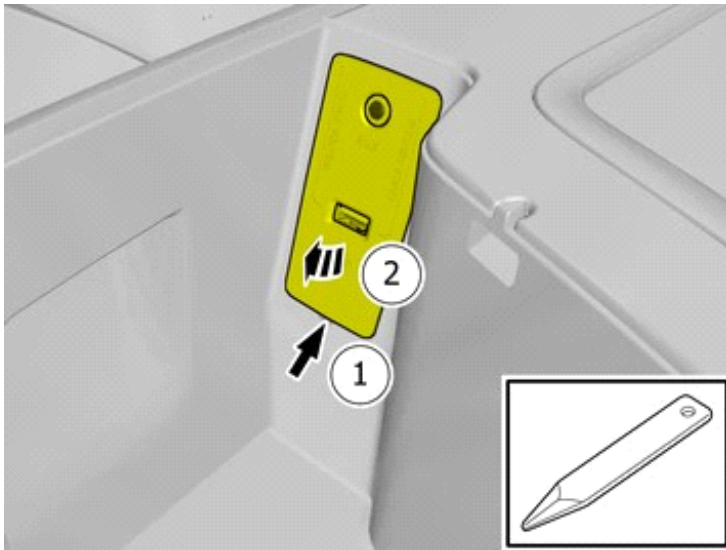
19



The graphic shows the back of the component.

IMG-439523

20



Loosen the marked detail.

IMG-439522

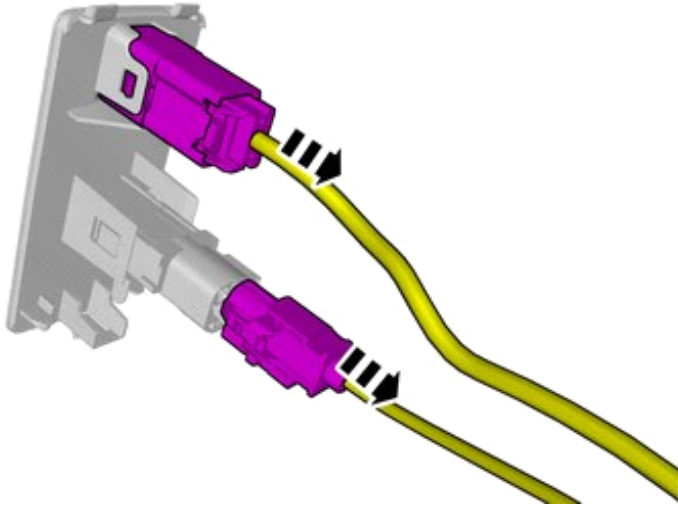


Installation instructions, accessories

Volvo Car Corporation Gothenburg, Sweden

21

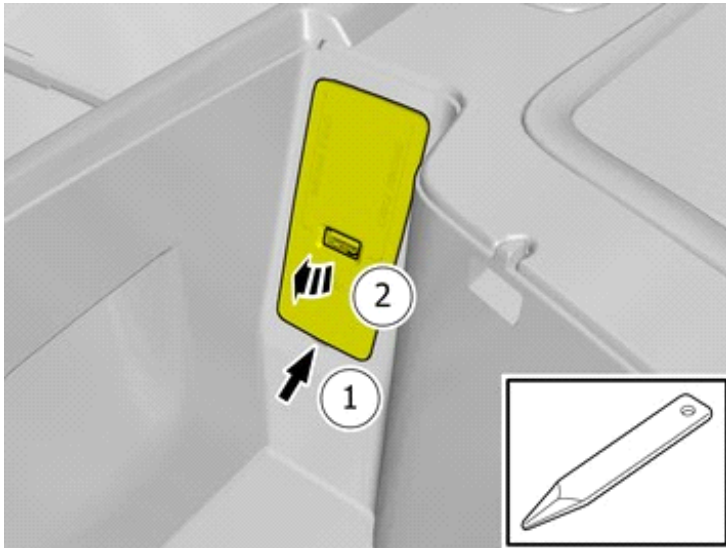
Disconnect the connectors.



IMG-439524

Alternative 2

22



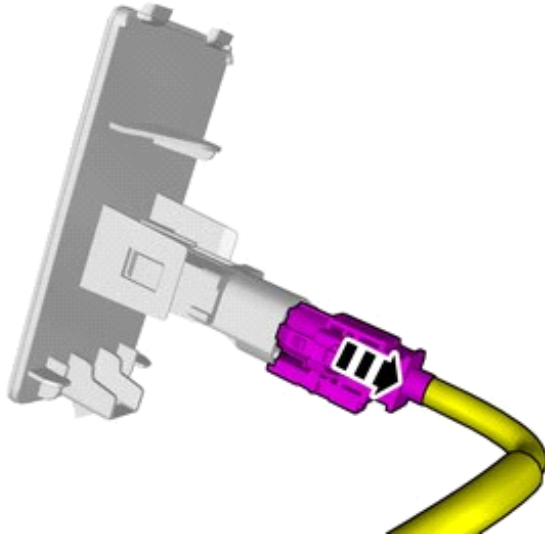
IMG-439871



Installation instructions, accessories

Volvo Car Corporation Gothenburg, Sweden

23

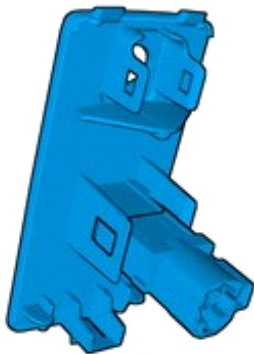


IMG-439945

All vehicles

24

The part is not to be reused.



IMG-439526

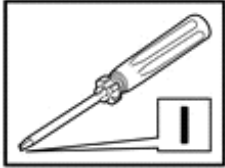
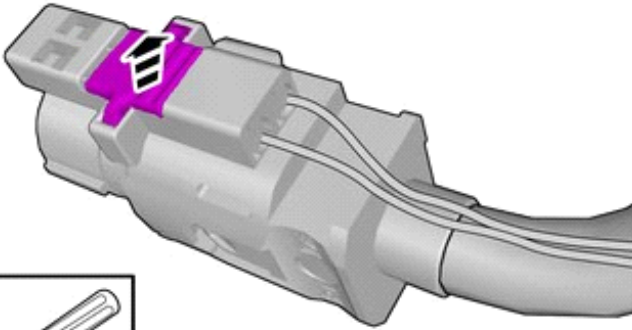


Installation instructions, accessories

Volvo Car Corporation Gothenburg, Sweden

25

Release the lock.

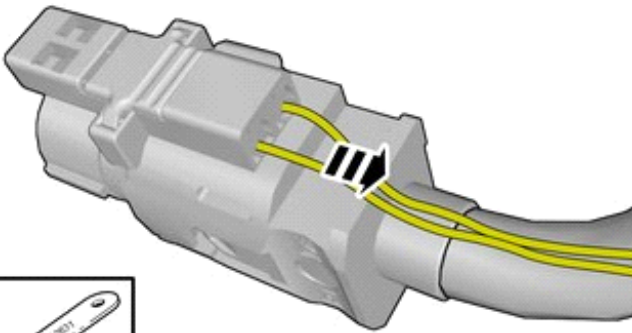


IMG-446385

26

Disconnect terminals from the connector, following the graphic.

The cable harness must not be reused.



IMG-446386



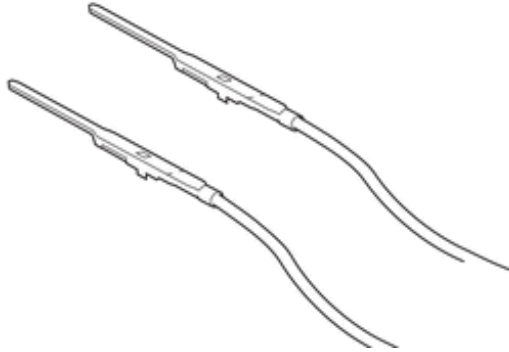
Installation instructions, accessories

Volvo Car Corporation Gothenburg, Sweden

27



Tape the cable terminal each for itself to avoid short-circuit.

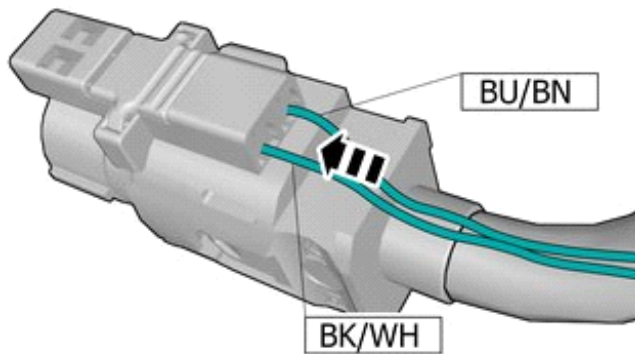


IMG-449110

Accessory installation

28

Connect the cable harness.



IMG-447057

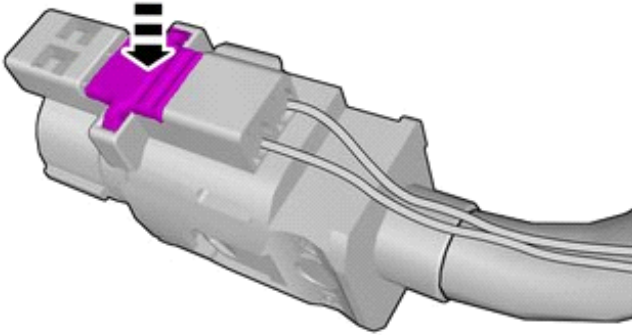


Installation instructions, accessories

Volvo Car Corporation Gothenburg, Sweden

29

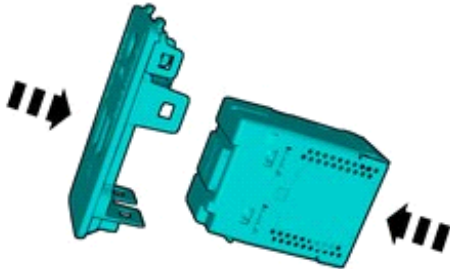
Install the catch.



IMG-447058

30

Assemble components that come with the accessory kit.



IMG-447077

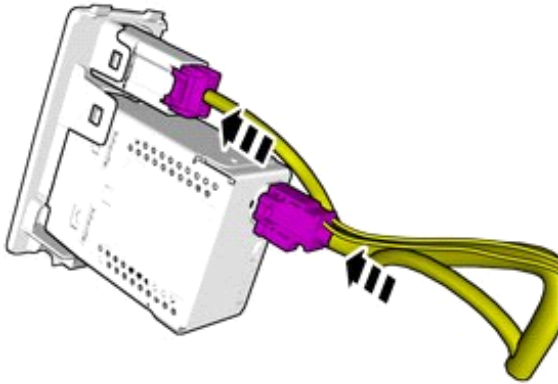


Installation instructions, accessories

Volvo Car Corporation Gothenburg, Sweden

31

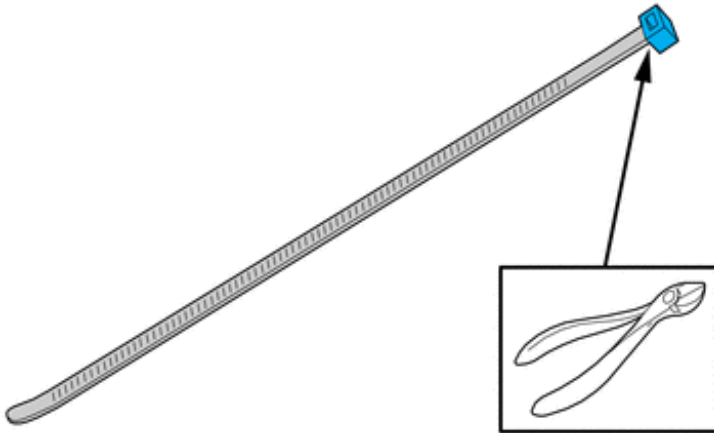
Connect the connectors.



IMG-447081

32

Use: 988734, Cable tie, 750 mm



IMG-419675



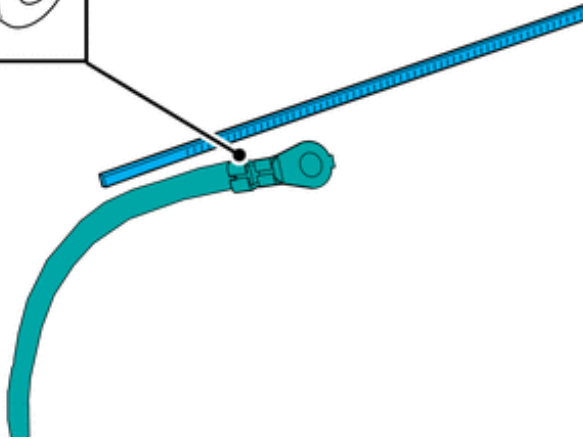
Installation instructions, accessories

Volvo Car Corporation Gothenburg, Sweden

33

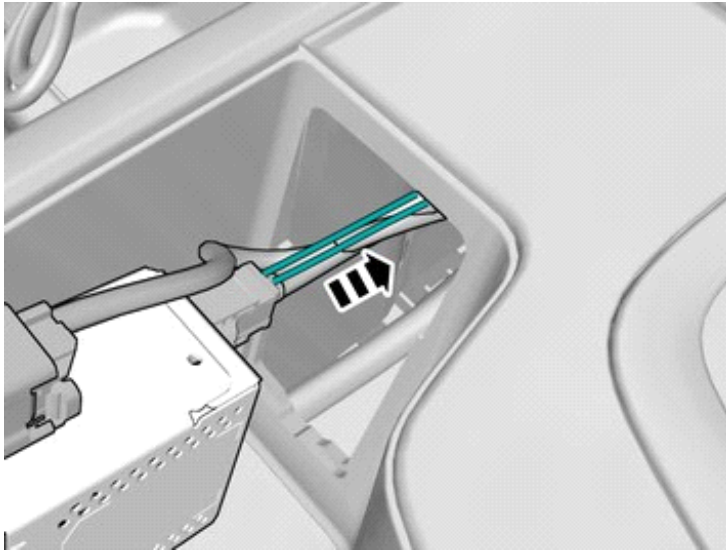


Use: , Electrical tape



IMG-447082

34



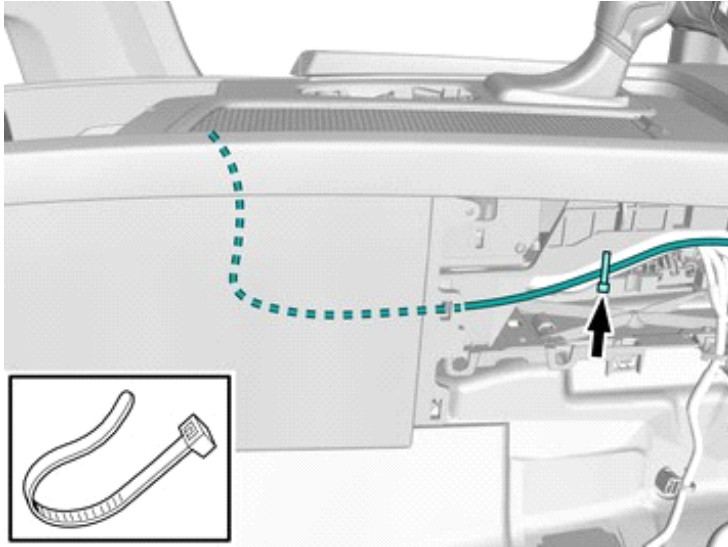
IMG-447085



Installation instructions, accessories

Volvo Car Corporation Gothenburg, Sweden

35



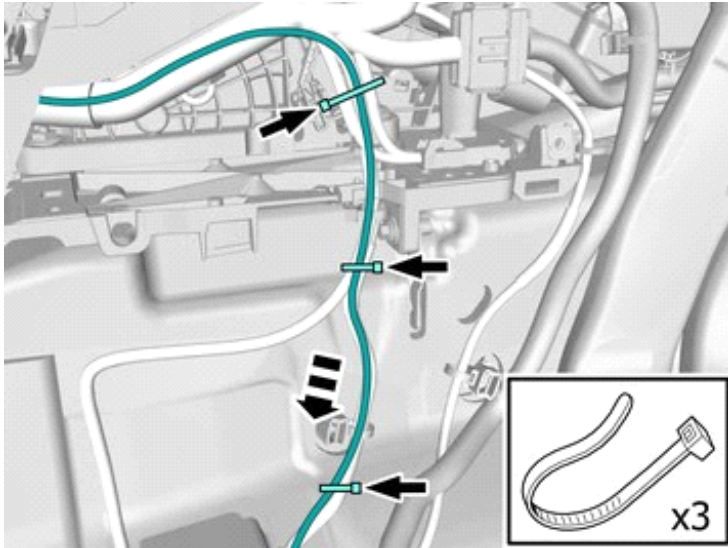
IMG-447152

Pull the wiring through.

Install the cable.

Use a cable tie

36



IMG-449090

Position/route the cable as illustrated.

Install the cable.

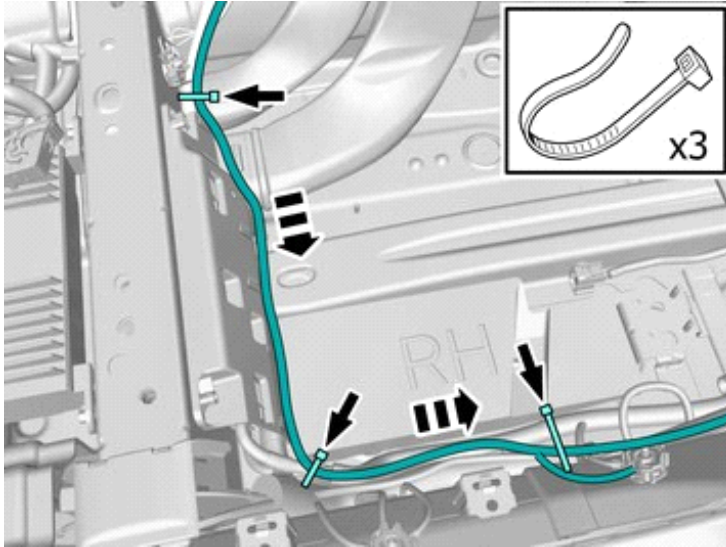
Use a cable tie



Installation instructions, accessories

Volvo Car Corporation Gothenburg, Sweden

37



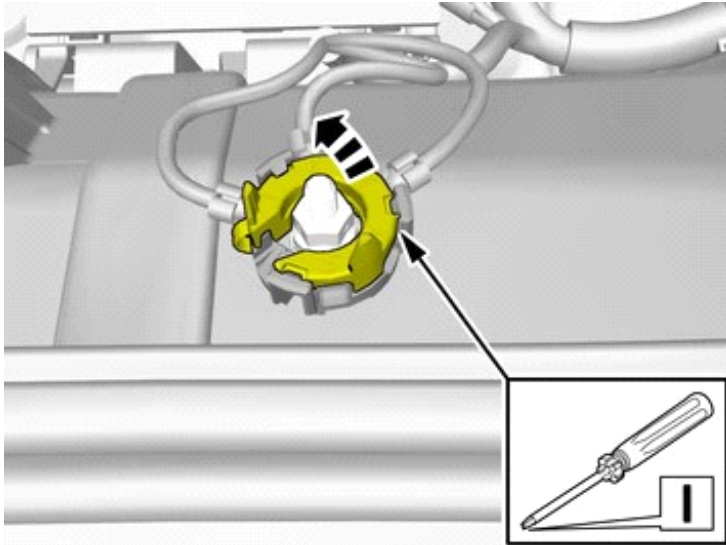
IMG-447158

Position/route the cable as illustrated.

Install the cable.

Use a cable tie

38



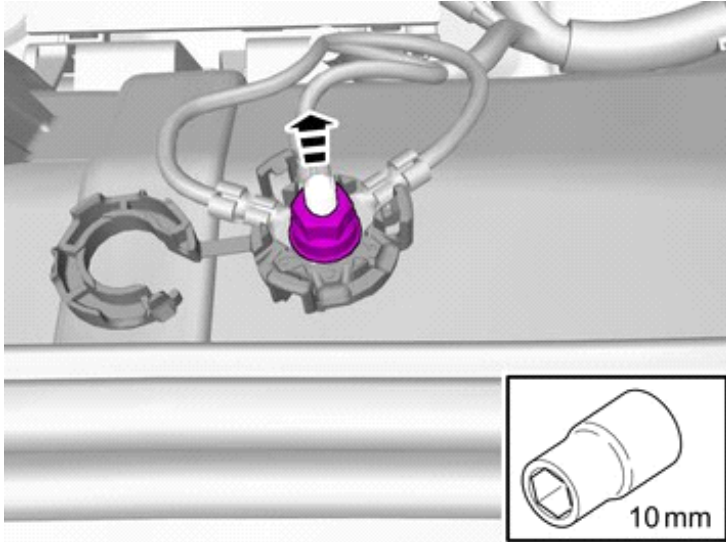
IMG-388631



Installation instructions, accessories

Volvo Car Corporation Gothenburg, Sweden

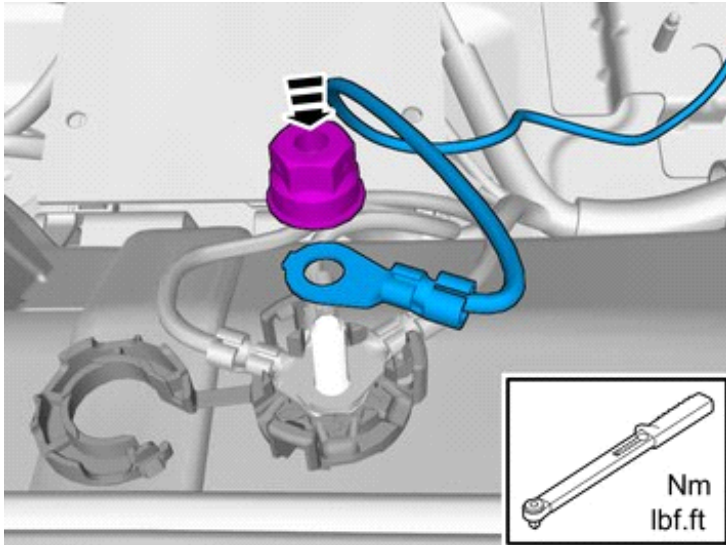
39



IMG-388638

Remove the nut.

40



IMG-388639

Connect the prerouted cable.

Install the nut.

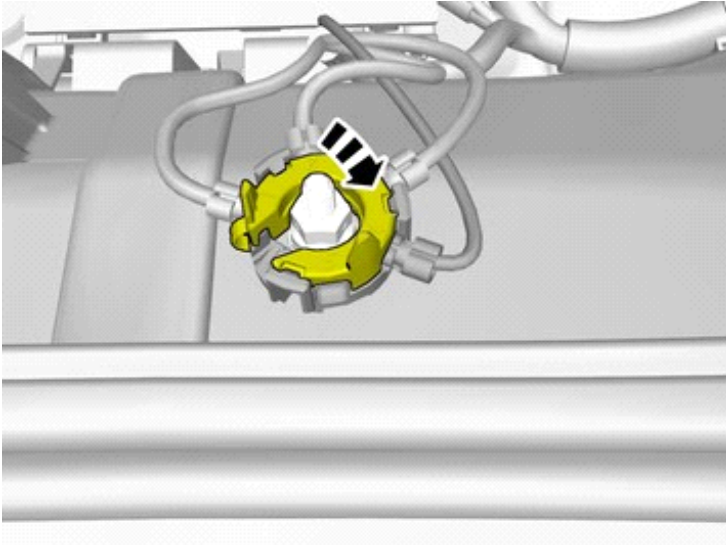
Tightening torque: M6 , 10 Nm



Installation instructions, accessories

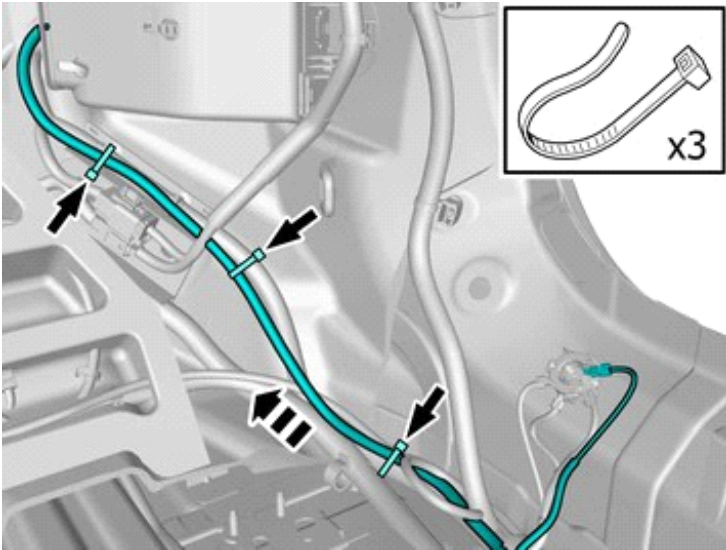
Volvo Car Corporation Gothenburg, Sweden

41



IMG-388633

42



IMG-447160

Position/route the cable as illustrated.

Install the cable.

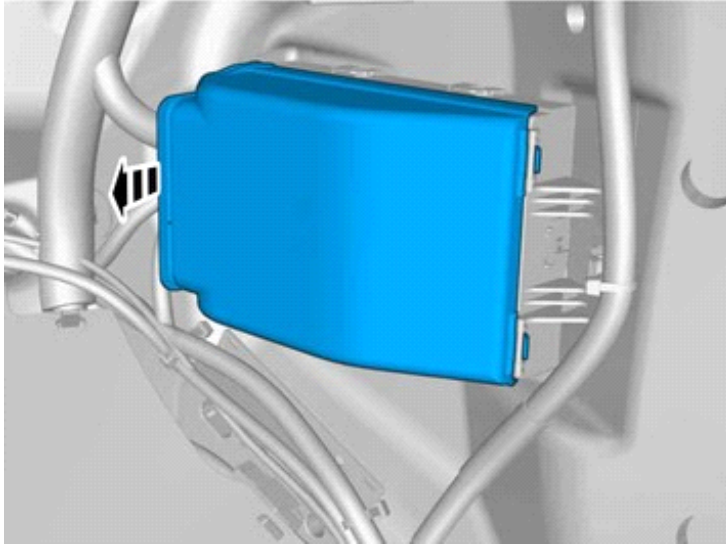
Use a cable tie



Installation instructions, accessories

Volvo Car Corporation Gothenburg, Sweden

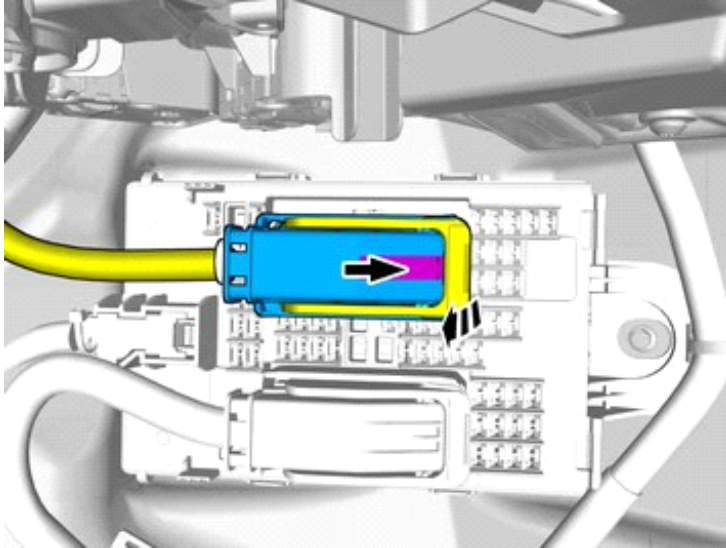
43



IMG-419346

Remove the marked part.

44



IMG-446330

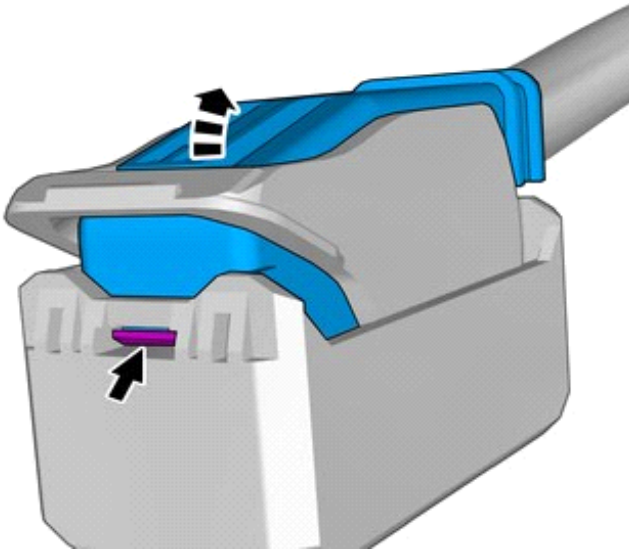
Release the connector's catch.



Installation instructions, accessories

Volvo Car Corporation Gothenburg, Sweden

45

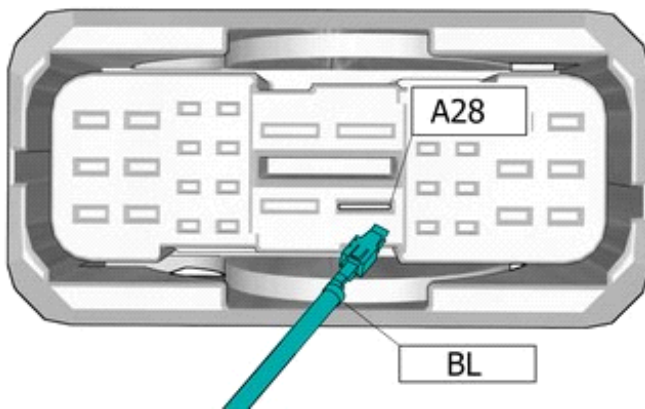


Depress the locking device.
Remove the marked part.

IMG-419701

46

Connect the cable.



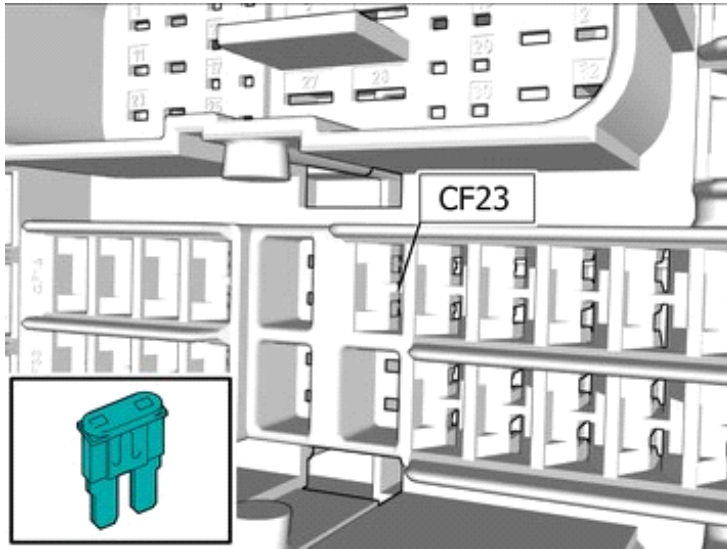
IMG-448986



Installation instructions, accessories

Volvo Car Corporation Gothenburg, Sweden

47

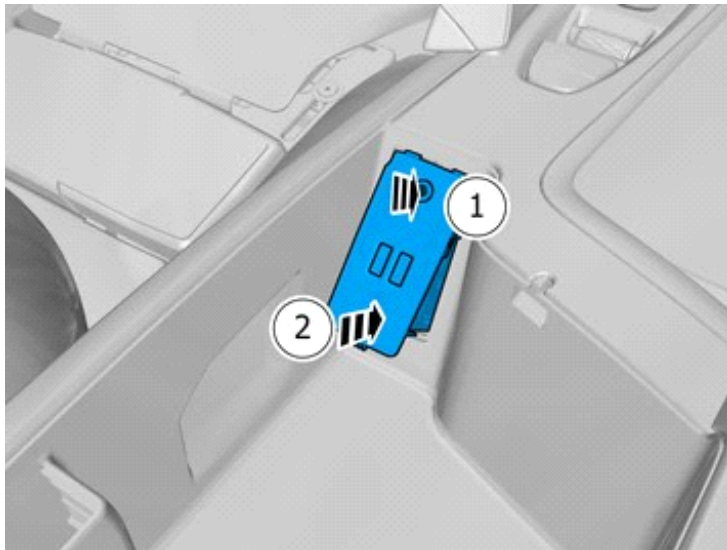


IMG-448165

Install component that comes with the accessory kit.

On some vehicles fuse might be premounted.

48



IMG-438528

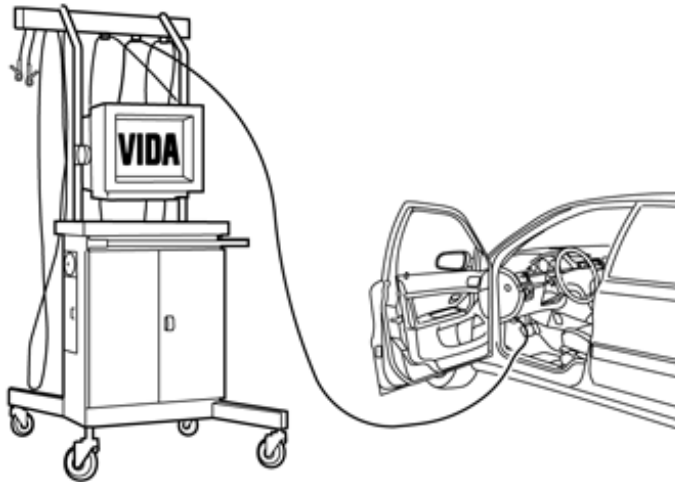
Install the marked component.



Installation instructions, accessories

Volvo Car Corporation Gothenburg, Sweden

49



IMG-242268

Download software (application) for the accessory's function according to the service information in VIDA. See VIDA or the accessories catalogue for software part number.

First, download the software for USB, then Smartphone Integration.

Installation

50

Reinstall the removed parts in reverse order.
