

**WJ61 - Checking Filler Flap and Charge Port Door and Replacing Them if Necessary
(Workshop Campaign)**

Model Line: **Panamera (971)**

Model Year: **As of 2017 up to 2019**

Equipment: Hybrid drive system PHEV

Subject: **Filler flap and charge port door**

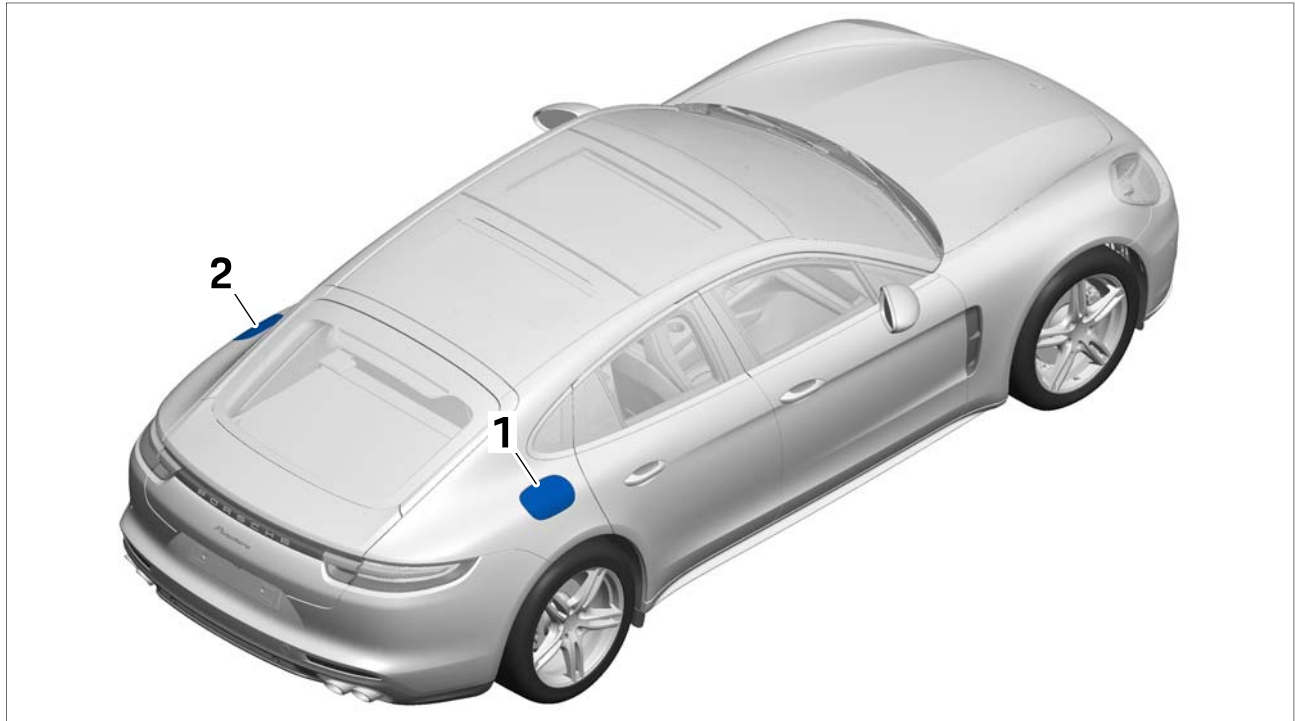
Information: **There is a possibility that the required clearance of the filler flap and charge port door with respect to the body side panel is not guaranteed under all conditions due to unfavorable tolerances.**

As a result, the filler flap and charge port door may be difficult to open and close.

Remedial Action: Check the filler flap and charge port door and replace them if necessary.

Affected Vehicles: Only the vehicles assigned to the campaign (see also PIWIS Vehicle information). This campaign affects 9,228 vehicles in North America.

Installation
position:



Installation position of filler flap and charge port door

- 1 – Filler flap
- 2 – Charge port door

Parts required

Parts Info: **Please note: Dealers will receive initial allocation of 6 of the required Non-Hybrid Filler Flap part number (00004330428). If additional parts needed before next allocation, please order if necessary by emailing recallrelease@porsche.us.**

All Hybrid Charge Port Door parts (00004330429) must be ordered if necessary by emailing recallrelease@porsche.us.

No parts are required for **checking** the filler flap and charge port door.

Parts required if the **filler flap and/or charge port door** must be replaced:

Part No.	Designation	Qty.
00004330428	⇒ Filler flap	1 ea. (only if required)
00004330429	⇒ Charge port door	1 ea. (only if required)

Expendable items: Materials required for **painting** the filler flap and/or charge port door:

- Paint in vehicle color*

* For warranty processing and depending on the scope of parts to be painted, enter the Part No. **WJ610000001** if **either** the filler flap or charge port door must be painted **or** Part No. **WJ610000002** if **both** the filler flap and charge port door must be painted by specifying the "expendable items" designation as an **additional part** in the warranty claim.

These include all materials used for the entire area for the respective labor operation (including masking materials, sanding materials and cleaning agents as well as paint in vehicle color). For details, see ⇒ *Technical Information 'Warranty processing'*.

Required tools

- Tools:
- Steel rule (or locally available equivalent tool)
 - Feeler gauge, 0.80 mm (or locally available equivalent tool)

Checking filler flap and charge port door



Information

Prerequisite for checking filler flap and charge port door:

- The filler flap/charge port door can be opened and closed properly

If this is **not** possible, the filler flap/charge port door must be **replaced**.

A further check is not required in this case.

Please document the fact that the filler flap/charge port door cannot be opened or closed properly by attaching digital photos or a video in PQIS.

For instructions for replacing the filler flap and charge port door, see ⇒ *Technical Information 'Replacing filler flap/charge port door'*.

Work Procedure: 1 Check projection between the **filler flap and rear right side panel** and between the **charge port door and rear left side panel** in the locking mechanism area.

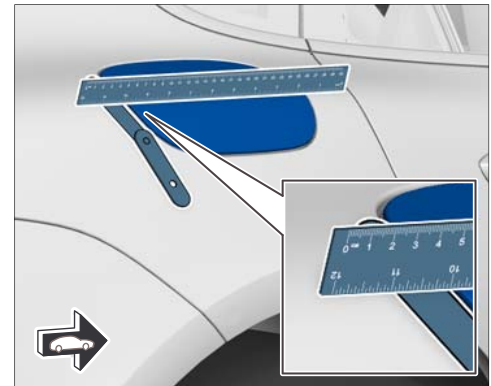


Information

The check described below is shown on the filler flap as an example. Also check the charge port door in the same way.

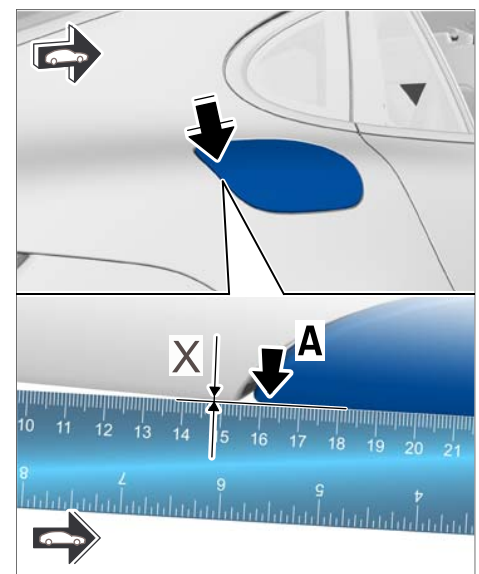
Pay particular attention to the following points during the check:

- Check the filler flap/charge port door using a steel rule and feeler gauge with the filler flap/charge port door fully closed ⇒ *Checking filler flap/charge port door*.



Checking filler flap/charge port door

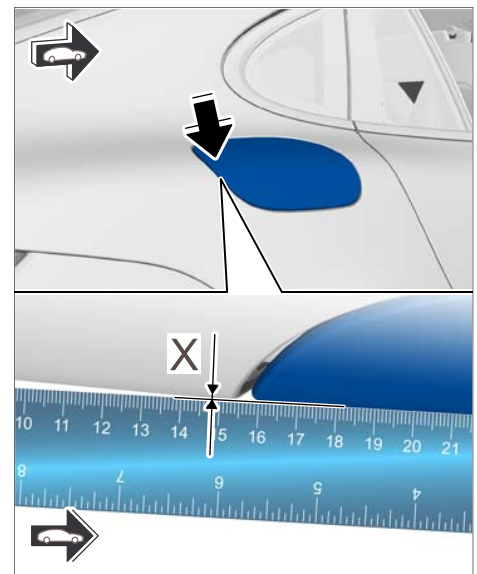
- Make sure not to scratch the paint surface when using the steel rule.
- Position the steel rule at the center at the same height as the locking mechanism as shown ⇒ *Checking filler flap/charge port door* with the edge on the filler flap/charge port door.
- Make sure that the steel rule is completely touching the filler flap/charge port door, particularly in the rear area ⇒ *Checking projection of filler flap/charge port door -arrow A-*.



Checking projection of filler flap/charge port door

- Do not put pressure on the steel rule.

- Use a 0.80-mm feeler gauge because the required projection of the filler flap/charge port door with respect to the side panel must be at least 0.80 mm.
- Push in the feeler gauge at the steel rule directly after the body gap between the filler flap/charge port door and side panel and check the projection at this point ⇒ *Checking projection of filler flap/charge port door -dimension X-*.
- Repeat the check at least twice. To do this, position the steel rule slightly above and below the original test position at the same height as the locking mechanism and check the projection again there.
- **Required projection value:** The **projection** from **filler flap/charge port door to side panel** **directly after the body gap** between the filler flap/charge port door and side panel **must be greater than or equal to 0.80 mm** (⇒ *Projection of filler flap/charge port door -dimension X-*).



Projection of filler flap/charge port door

- Document the results of the check. To do this, attach digital photos in PQIS showing the projection of the filler flap/charge port door and the check performed using the feeler gauge.

Subsequent procedure, depending on the result of the check:

- The projection is **greater than or equal to 0.80 mm** at **all previously checked positions**: The filler flap/charge port door does **not** have to be replaced. Continue with **Step 2**.
- The projection is **less than 0.80 mm** at **one of the previously checked positions**: **Replace** filler flap/charge port door. For instructions, see ⇒ *Technical Information 'Replacing filler flap/charge port door'*.

- 2 Enter the campaign in the Warranty and Maintenance booklet.

End of remedial action.

For warranty processing, see **Scope 2** under \Rightarrow *Technical Information 'Warranty processing'*.

Replacing filler flap/charge port door



Information

Depending on the result of the check, replace the filler flap and/or charge port door. The following procedure is described for the filler flap as an example. Carry out the work in the same way on the charge port door if necessary.

- 1 Open the flap \Rightarrow *Removing flap -2-*.
- 2 Release catch \Rightarrow *Removing flap -1-* using a suitable tool and pull off the filler flap \Rightarrow *Removing flap -2-* (\Rightarrow *Removing flap -arrow-*).
- 3 Paint new filler flap \Rightarrow *Removing flap -2-* in vehicle colour.



Information

Painting stage S1 - new part painting

The painting of new body parts - including sub-parts and sections - is referred to as "new part painting". A differentiation is made between screwed parts and welded parts.

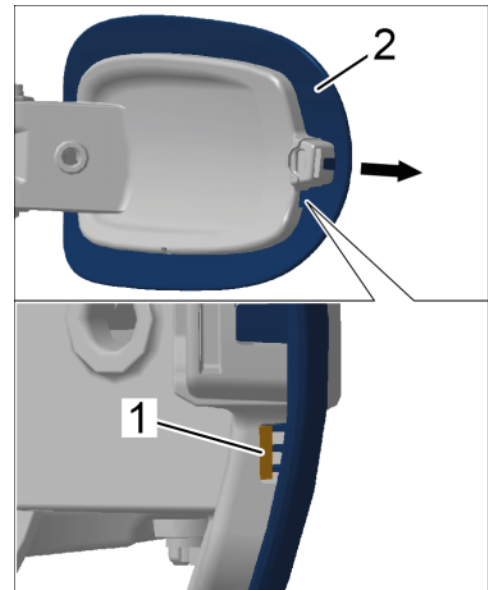
The painting of visible and invisible interior surfaces, e.g. the lid hinge, is classified as Painting stage 1.

Stage 1 includes:

- Phase I - Preparation
- Phase II - Priming
- Phase III - Painting
- Phase IV - Applying clear lacquer

Information on painting can be found in the "Paint Manual - Painting method for plastic components".

- 4 Carefully push new filler flap \Rightarrow *Removing flap -2-* into the guides until it locks with an audible click.
- 5 Carry out a function test on the filler flap. To do this, close the flap and then open it again.
- 6 Close the flap.



Removing flap

7 Enter the campaign in the Warranty and Maintenance booklet.

End of remedial action.

For warranty processing, see **Scopes 5 - 10** under ⇒ *Technical Information 'Warranty processing'*.

Warranty processing



Information

The filler flap and charge port door must always be checked by a Porsche dealership.

- Porsche dealerships that carry out **this campaign fully** must submit an invoice for the relevant scope from **scopes 2, 5, 7 or 9**.
- Porsche dealerships that hand the filler flap/charge port door over to an **external service provider** in order to carry out the required **painting work** must submit an invoice for **scopes 6, 8 or 10**. In this case, please document a copy of the invoice in PQIS.

Scope 1: Only relevant for Non-Hybrid vehicles – see relevant Technical Information for these vehicle types

Scope 2: **Checking projection between filler flap and side panel and between charge port door and side panel**

- **Filler flap and charge port door do not have to be replaced**

Working time:	
Checking projection between filler flap/charge port door and side panel	Labor time: 26 TU
⇒ Damage Code WJ61 066 000 1	

Scope 3: Only relevant for Non-Hybrid vehicles – see relevant Technical Information for these vehicle types

Scope 4: Only relevant for Non-Hybrid vehicles – see relevant Technical Information for these vehicle types

Scope 5: **Checking projection between filler flap and side panel and between charge port door and side panel – replacing filler flap**

- Only the **filler flap** must be **replaced**
- All work required for replacing the filler flap was carried out **fully** by the **Porsche dealership**

Working time:

Replacing filler flap

Labor time: **179 TU**

Includes: Checking projection between filler flap/charge port door
 and side panel
 Removing and installing filler flap
 Painting filler flap with top-coat paint

Parts required:

00004330428	Filler flap	1 ea.
WJ610000001*	Expendable items	1 ea. (for warranty invoicing only)

* For warranty processing, enter the Part No. **WJ610000001** with the "expendable items" designation as an **additional part** costing \$13.50 USD in the warranty claim.

⇒ **Damage Code WJ61 066 000 2**

Scope 6:

Checking projection between filler flap and side panel and between charge port door and side panel – replacing filler flap

- Only the **filler flap** must be **replaced**
- The filler flap was **painted** by an **external service provider**

Working time:

Replacing filler flap

Labor time: **29 TU**

Includes: Checking projection between filler flap/charge port door
 and side panel
 Removing and installing filler flap

Parts required:

00004330428	Filler flap	1 ea.
WJ610000001*	Expendable items	1 ea. (for warranty invoicing only)

Sublet labor:

Painting filler flap with top-coat paint

Sublet labor time:
max. 150 TU

* For warranty processing, enter the Part No. **WJ610000001** with the "expendable items" designation as an **additional part** costing \$13.50 USD in the warranty claim.

⇒ **Damage Code WJ61 066 000 2**

Scope 7:

Checking projection between filler flap and side panel and between charge port door and side panel – replacing charge port door

- Only the **charge port door** must be **replaced**
- All work required for replacing the charge port door was carried out **fully** by the **Porsche dealership**

Working time:

Checking gap dimension between filler flap/charge port door and side panel and replacing charge port door Labor time: **179 TU**

Includes: Removing and installing charge port door
Painting charge port door with top-coat paint

Parts required:

00004330429	Charge port door	1 ea.
WJ610000001 *	Expendable items	1 ea. (for warranty invoicing only)

* For warranty processing, enter the Part No. **WJ610000001** with the "expendable items" designation as an **additional part** costing \$13.50 USD in the warranty claim.

⇒ **Damage Code WJ61 066 000 2**

Scope 8:

Checking projection between filler flap and side panel and between charge port door and side panel – replacing charge port door

- Only the **charge port door** must be **replaced**
- The charge port door was **painted** by an **external service provider**

Working time:

Replacing charge port door Labor time: **29 TU**

Includes: Checking projection between filler flap/charge port door and side panel
Removing and installing charge port door

Parts required:

00004330429	Charge port door	1 ea.
-------------	------------------	-------

WJ610000001*	Expendable items	1 ea. (for warranty invoicing only)
Sublet labor:		
Painting charge port door with top-coat paint		Sublet labor time: max. 150 TU
* For warranty processing, enter the Part No. WJ610000001 with the "expendable items" designation as an additional part costing \$13.50 USD in the warranty claim.		
⇒ Damage Code WJ61 066 000 2		

Scope 9:

Checking projection between filler flap and side panel and between charge port door and side panel – replacing filler flap and charge port door

- **Filler flap and charge port door** must be **replaced**
- All work required for replacing the filler flap and charge port door was carried out **fully** by the **Porsche dealership**

Working time:		
Replacing filler flap and charge port door		Labor time: 192 TU
Includes:	Checking projection between filler flap and side panel and between charge port door and side panel	
	Removing and installing filler flap	
	Removing and installing charge port door	
	Painting filler flap and charge port door with top-coat paint	
Parts required:		
00004330428	Filler flap	1 ea.
00004330429	Charge port door	1 ea.
WJ610000002*	Expendable items	1 ea. (for warranty invoicing only)
* For warranty processing, enter the Part No. WJ610000002 with the "expendable items" designation as an additional part costing \$20.50 USD in the warranty claim.		
⇒ Damage Code WJ61 066 000 2		

Scope 10:

Checking projection between filler flap and side panel and between charge port door and side panel – replacing filler flap and charge port door

- **Filler flap and charge port door** must be **replaced**
- The filler flap and charge port door were **painted** by an **external service provider**

Working time:

Replacing filler flap and charge port door Labor time: **32 TU**

Includes: Checking projection between filler flap and side panel and
 between charge port door and side panel
 Removing and installing filler flap
 Removing and installing charge port door

Parts required:

00004330428	Filler flap	1 ea.
00004330429	Charge port door	1 ea.
WJ610000002*	Expendable items	1 ea. (for warranty invoicing only)

Sublet labor:

Painting filler flap and charge port door with top-coat paint Sublet labor time:
max. 160 TU

* For warranty processing, enter the Part No. **WJ610000002** with the "expendable items" designation as an **additional part** costing \$20.50 USD in the warranty claim.

⇒ **Damage Code WJ61 066 000 2**

Important Notice: Technical Bulletins issued by Porsche Cars North America, Inc. are intended only for use by professional automotive technicians who have attended Porsche service training courses. They are written to inform those technicians of conditions that may occur on some Porsche vehicles, or to provide information that could assist in the proper servicing of a vehicle. Porsche special tools may be necessary in order to perform certain operations identified in these bulletins. Use of tools and procedures other than those Porsche recommends in these bulletins may be detrimental to the safe operation of your vehicle, and may endanger the people working on it. Properly trained Porsche technicians have the equipment, tools, safety instructions, and know-how to do the job properly and safely. Part numbers listed in these bulletins are for reference only. The work procedures updated electronically in the Porsche PIWIS diagnostic and testing device take precedence and, in the event of a discrepancy, the work procedures in the PIWIS Tester are the ones that must be followed.