

Floor Mat Installation During PDS

Service Category General

Section Pre-Delivery Service

Market USA

Lexus Supports
ASE Certification 

Applicability

YEAR(S)	MODEL(S)	ADDITIONAL INFORMATION
2020	ES300H, ES350, GS F, GS300, GS350, GX460, IS300, IS350, LC500, LC500H, LS500, LS500H, LX570, NX300, NX300H, RC F, RC300, RC350, RX350, RX450H, UX200, UX250H	

Introduction

2020 model year Lexus vehicles are equipped with driver side floor mat retaining clips to secure the floor mat in the correct position. In addition, some models may also utilize retaining clips for passenger side and rear seat floor mats. During Pre-Delivery Service (PDS), follow the appropriate Installation Procedure to attach the driver side, and if applicable, the passenger side and rear seat floor mats to the vehicle carpet using the floor mat retaining clips.

CAUTION

- **ALWAYS** verify the floor mat to ensure it is designed specifically for the model and model year it is being installed in.
- **ONLY** use floor mats that can be secured using the retainers. **ALL** OEM Lexus floor mats are specifically designed to fit correctly and be secured using the retainers.
- **Make sure** the floor mat is properly placed on the vehicle carpet and secured with the retainers. If the driver side floor mat is **NOT** properly placed and secured, it could slip and interfere with the movement of the pedals during driving and may cause an accident.
- Verify the operation of the accelerator, brake, and clutch (if equipped) pedals and clearance to the mat.
- **NEVER** install more than one floor mat at a time in the driver's seating position.
- If applicable, **ANY** secondary set of floor mats (based upon customer preference, such as the all-weather floor mats or other floor mats) **MUST** be placed in the trunk with **ALL** the packaging material intact. Do **NOT** install the secondary mat on top of the primary floor mat already installed in the driver's seating position.

Floor Mat Installation During PDS

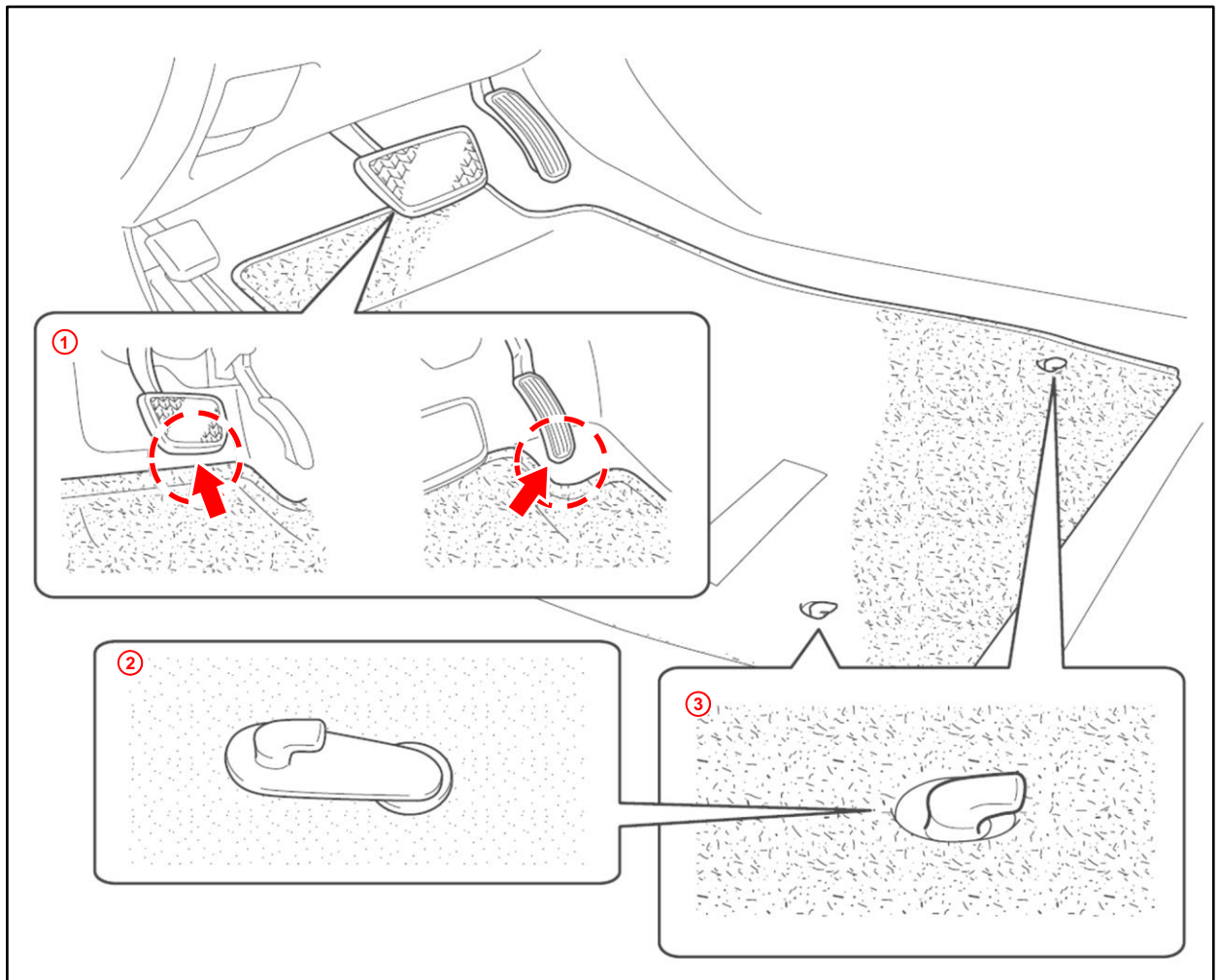
Warranty Information

OP CODE	DESCRIPTION	TIME	OFF	T1	T2
N/A	Not Applicable to Warranty	-	-	-	-

Installation Procedure: Hook Style

1. Verify that the driver, and if applicable, passenger side and rear seat floor mats are for the correct model and model year they are being installed in.
2. Attach the driver, and if applicable, passenger side and rear seat floor mats to the vehicle carpet using the retaining clips.
3. Secure the mat by inserting the retaining clips through the grommet holes.

Figure 1.



1	Correct Installation
2	Retention Clip

3	Grommet
----------	----------------

Floor Mat Installation During PDS

Installation Procedure: Hook Style (continued)

4. Verify proper installation.

NOTE

If applicable, do NOT remove the beige caution tag from the floor mat. ONLY the customer should remove the caution tag.

Figure 2.

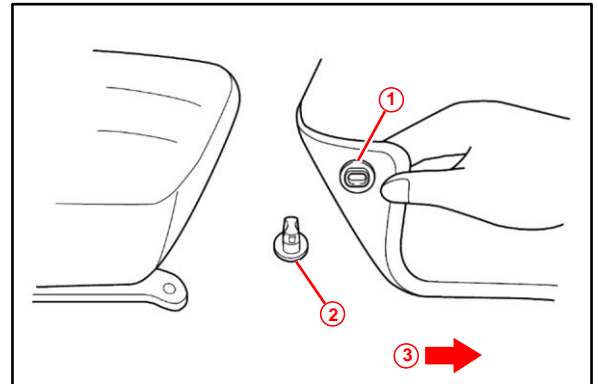


Floor Mat Installation During PDS

Installation Procedure: Pre-Installed Knob Style

1. Verify that the driver, and if applicable, passenger side and rear seat floor mats are for the correct model and model year they are being installed in.
2. Align the floor mat holes with the retention clip knobs and place the floor mat holes onto the retention clip knobs.

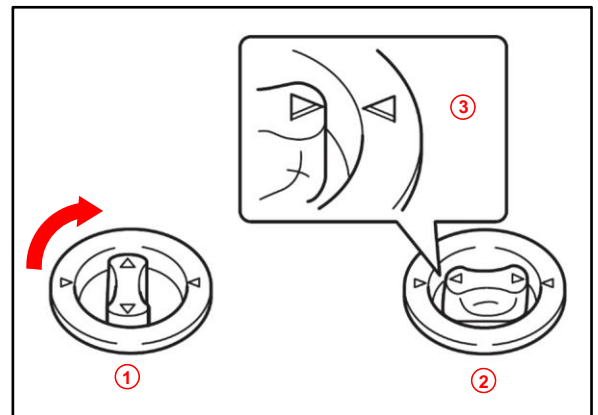
Figure 3.



1	Retention Clip Eyelet on Floor Mat
2	Retention Clip
3	Front of Vehicle

3. Twist the retention clip knobs a quarter of a turn to lock in place and verify the triangle marks on the retention clip knobs and floor mat align.

Figure 4.



1	Twist Knob
2	Knob in Locked Position
3	Align Triangle Marks

Floor Mat Installation During PDS

Installation Procedure: Pre-Installed Knob Style (continued)

4. Verify proper installation.

NOTE

If applicable, do NOT remove the yellow caution tag from the floor mat. ONLY the customer should remove the caution tag.

Figure 5.

