

Floor Mat Installation During PDS

Service Category General

Section Pre-Delivery Service

Market USA

Toyota Supports
 ASE Certification 

Applicability

YEAR(S)	MODEL(S)	ADDITIONAL INFORMATION
2020	4Runner, 86, Avalon, Avalon HV, C-HR, Camry, Camry HV, Corolla, Corolla Hatchback, Corolla HV, Highlander, Highlander HV, Land Cruiser, Mirai, Prius, Prius C, Prius Prime, RAV4, RAV4 HV, Sequoia, Sienna, Tacoma, Tundra, Yaris SD MEX-Prod	

Introduction

2020 model year Toyota vehicles are equipped with driver side floor mat retainers to secure the floor mat in the correct position. In addition, some models may also utilize retainers for passenger side and rear seat floor mats. During Pre-Delivery Service (PDS), follow the appropriate Installation Procedure to attach the driver side, and if applicable, the passenger side and rear seat floor mats to the vehicle carpet using the floor mat retainers. If installation instructions are included in the floor mat kit, place the instructions in the vehicle's glove box for customer reference.

CAUTION

- **ALWAYS** verify the floor mat is designed specifically for the model and model year it is being installed in.
- **ONLY** use floor mats that can be secured using the retainers. **ALL** OEM Toyota floor mats are specifically designed to fit correctly and be secured using the retainers.
- **Make sure** the floor mat is properly placed on the vehicle carpet and secured with the retainers. **If the driver side floor mat is NOT properly placed and secured, it could slip and interfere with the movement of the pedals during driving and may cause an accident.**
- **Verify** the operation of the accelerator, brake, and clutch (if equipped) pedals and clearance to the mat.
- **NEVER** install more than one floor mat at a time in the driver's seating position.
- **If applicable, ANY secondary set of floor mats (based upon customer preference, such as the all-weather floor mats or other floor mats) MUST be placed in the trunk with ALL the packaging material intact. Do NOT install the secondary mat on top of the primary floor mat already installed in the driver's seating position.**

Floor Mat Installation During PDS

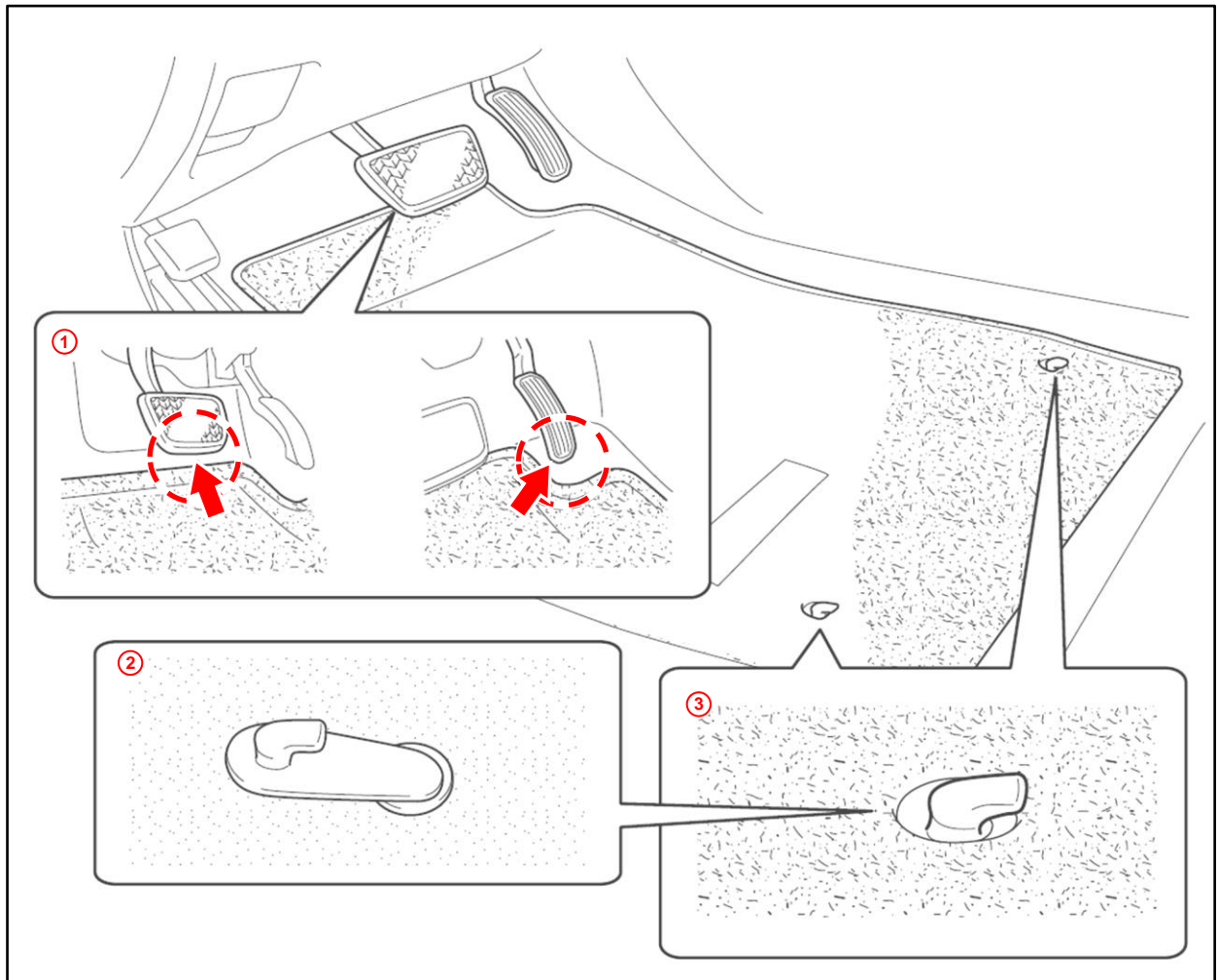
Warranty Information

OP CODE	DESCRIPTION	TIME	OFF	T1	T2
N/A	Not Applicable to Warranty	-	-	-	-

Installation Procedure: Hook Style

1. Verify that the driver, and if applicable, passenger side and rear seat floor mats are for the correct model and model year they are being installed in.
2. Attach the driver, and if applicable, passenger side and rear seat floor mats to the vehicle carpet using the retention clips. Secure the mat by inserting the retention clip hooks through the grommet holes.

Figure 1.



1	Correct Installation
2	Retention Clip

3	Grommet
----------	---------

Floor Mat Installation During PDS

Installation Procedure: Hook Style (continued)

3. Verify proper installation.

NOTE

If applicable, do NOT remove the beige caution tag from the floor mat. ONLY the customer should remove the caution tag.

Figure 2.

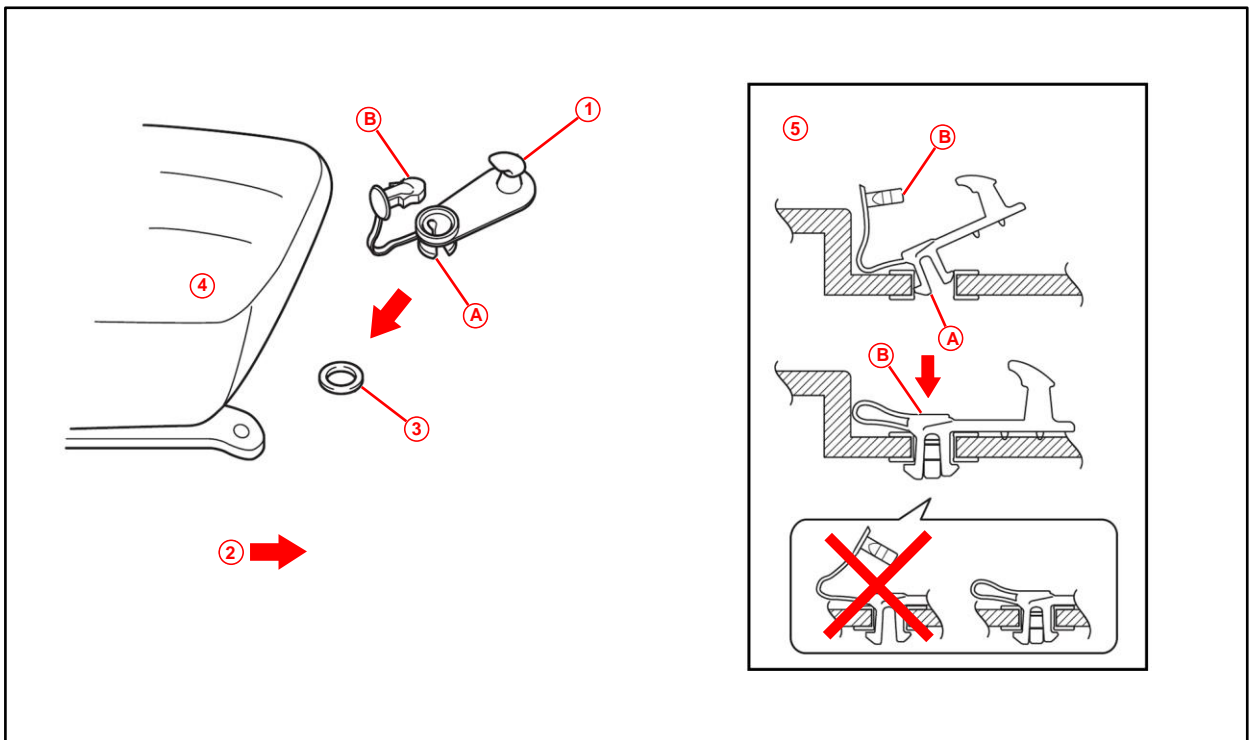


Floor Mat Installation During PDS

Installation Procedure: Hook Style With Locking Clip

1. Verify that the driver, and if applicable, passenger side and rear seat floor mats are for the correct model and model year they are being installed in.
2. Attach the retention clip to the floor by inserting the retention clip claws into the floor eyelet.

Figure 3.



1	Retention Clip
2	Front of Vehicle
3	Retention Clip Eyelet on Vehicle Floor
4	Seat

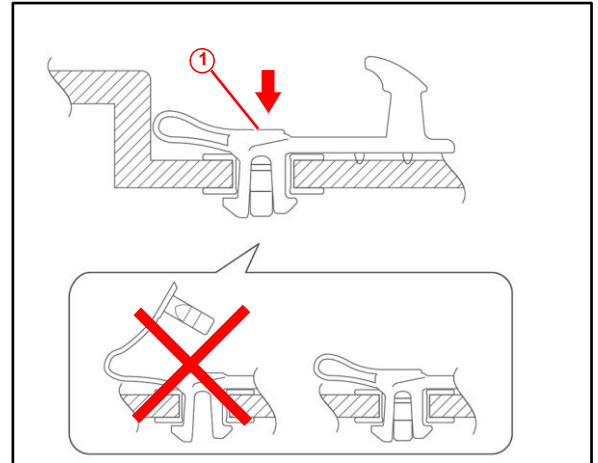
5	Cross-sectional Diagram
A	Retention Clip Claw
B	Locking Clip

Floor Mat Installation During PDS

Installation Procedure: Hook Style With Locking Clip (continued)

3. To lock the retention clip in place, insert the locking clip of the retention clip into the designated hole.

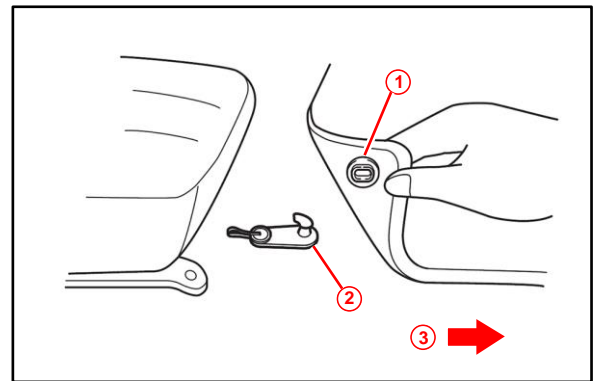
Figure 4.



1	Locking Clip
----------	---------------------

4. Align the floor mat grommets with the retention clip hooks and attach the floor mat grommets to the retention clip hooks.

Figure 5.



1	Floor Mat Grommet
2	Retention Clip
3	Front

Floor Mat Installation During PDS

Installation Procedure: Hook Style With Locking Clip (continued)

5. Verify proper installation.

NOTE

If applicable, do NOT remove the beige caution tag from the floor mat. ONLY the customer should remove the caution tag.

Figure 6.



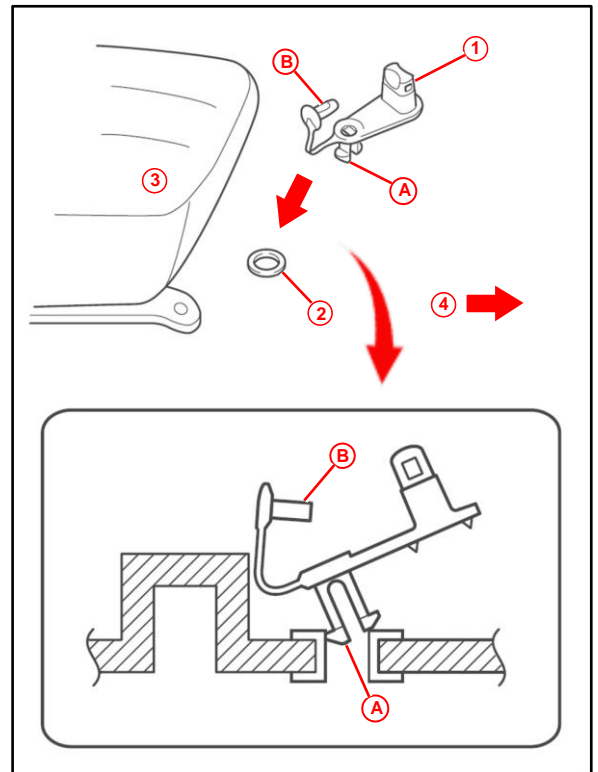
Floor Mat Installation During PDS

Installation Procedure: Knob Style With Locking Clip

1. Verify that the driver, and if applicable, passenger side and rear seat floor mats are for the correct model and model year they are being installed in.

2. Attach the retention clip to the floor by inserting the retention clip claw into the floor eyelet.

Figure 7.



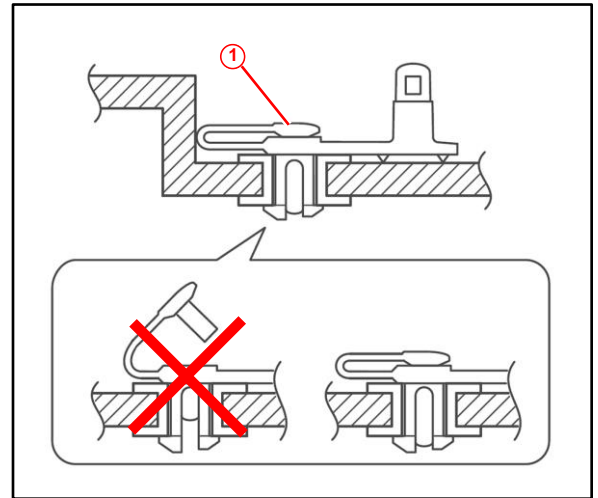
1	Retention Clip
2	Retention Clip Eyelet on Vehicle Floor
3	Seat
4	Front of Vehicle
A	Retention Clip Claw
B	Locking Clip

Floor Mat Installation During PDS

Installation Procedure: Knob Style With Locking Clip (continued)

- To lock the clip in place, insert the locking clip of the retention clip into the designated hole.

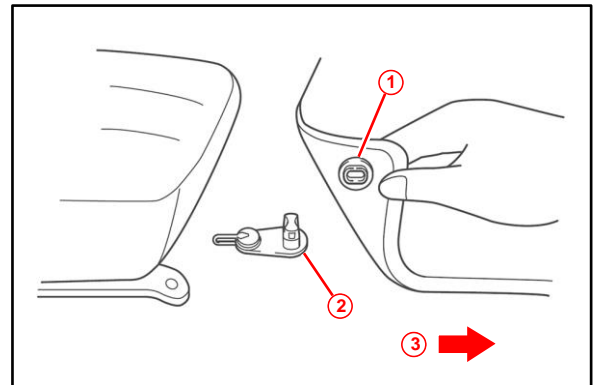
Figure 8.



1	Locking Clip
----------	---------------------

- Align the floor mat grommets with the retention clip knobs and place the floor mat grommets onto the retention clip knobs.

Figure 9.



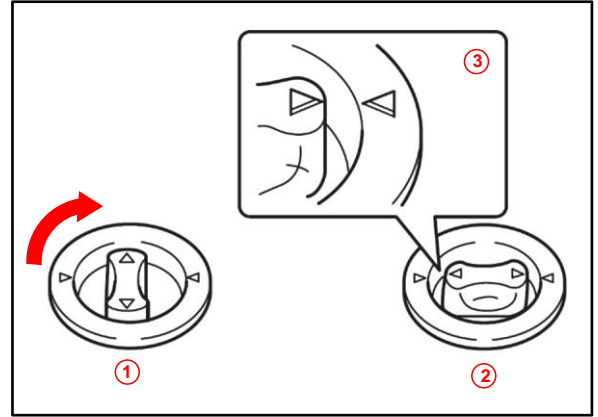
1	Retention Clip Eyelet on Floor Mat
2	Retention Clip
3	Front of Vehicle

Floor Mat Installation During PDS

Installation Procedure: Knob Style With Locking Clip (continued)

5. Twist the retention clip knobs a quarter of a turn to lock in place.
6. Verify the triangle marks on the retention clip knob and floor mat are aligned.

Figure 10.



1	Twist Knob
2	Knob in Locked Position
3	Align Triangle Marks

Floor Mat Installation During PDS

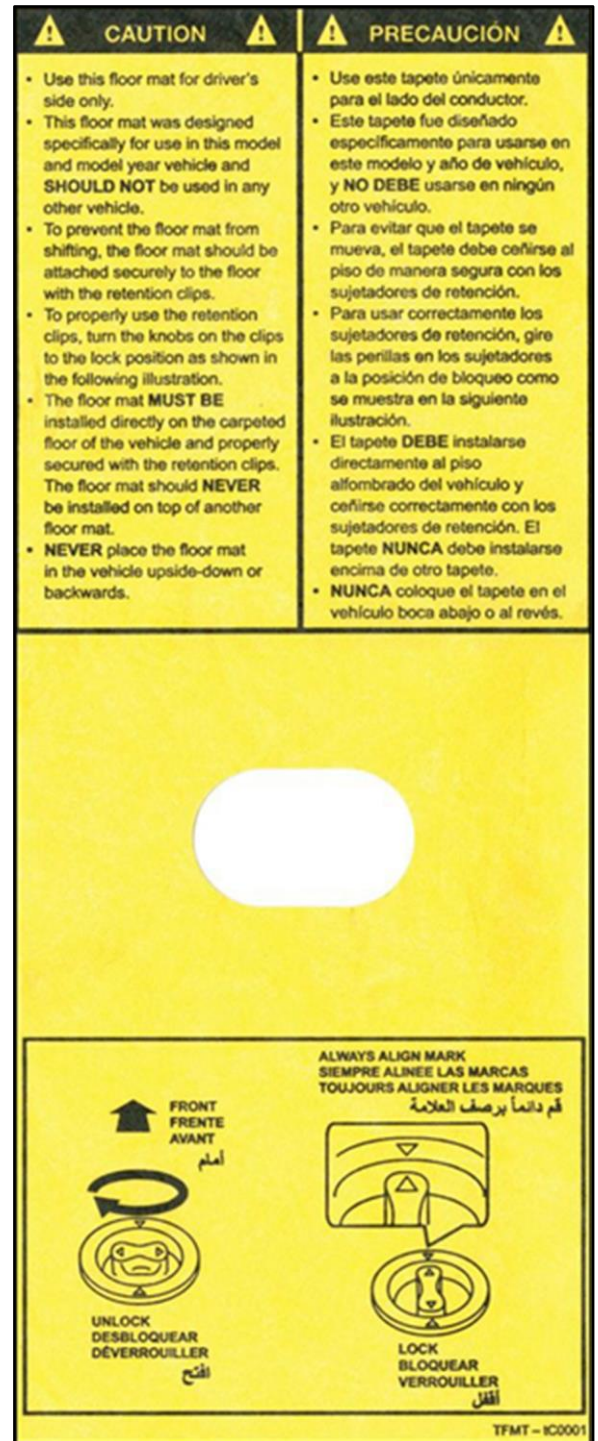
Installation Procedure: Knob Style With Locking Clip (continued)

7. Verify proper installation.

NOTE

If applicable, do NOT remove the yellow caution tag from the floor mat. ONLY the customer should remove the caution tag.

Figure 11.

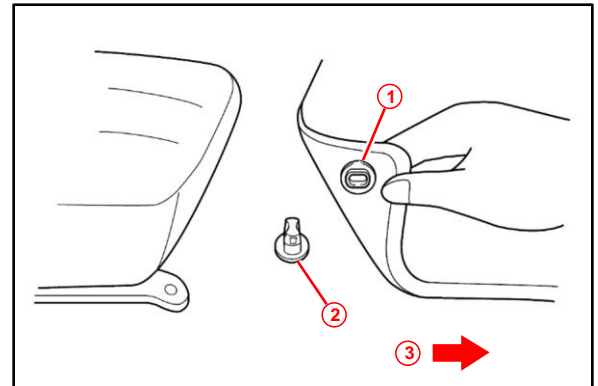


Floor Mat Installation During PDS

Installation Procedure: Pre-Installed Knob Style

1. Verify that the driver, and if applicable, passenger side and rear seat floor mats are for the correct model and model year they are being installed in.
2. Align the floor mat grommets with the retention knobs and place the floor mat grommets onto the retention knobs.

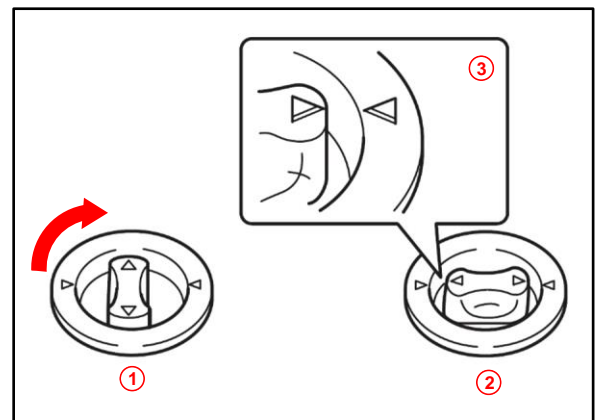
Figure 12.



1	Floor Mat Grommet
2	Retention Knob
3	Front of Vehicle

3. Twist the retention knobs a quarter of a turn to lock in place.
4. Verify the triangle marks on the retention knobs and floor mat are aligned.

Figure 13.



1	Twist Knob
2	Knob in Locked Position
3	Align Triangle Marks

Floor Mat Installation During PDS

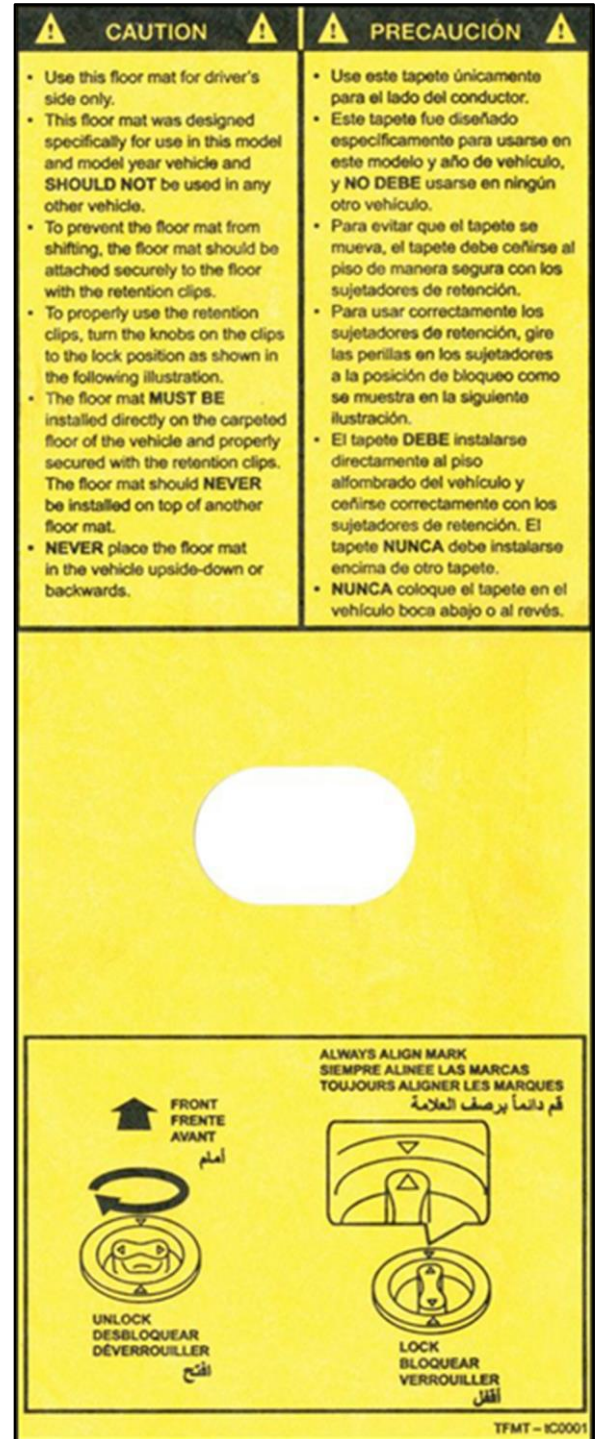
Installation Procedure: Pre-Installed Knob Style (continued)

5. Verify proper installation.

NOTE

If applicable, do NOT remove the yellow caution tag from the floor mat. ONLY the customer should remove the caution tag.

Figure 14.



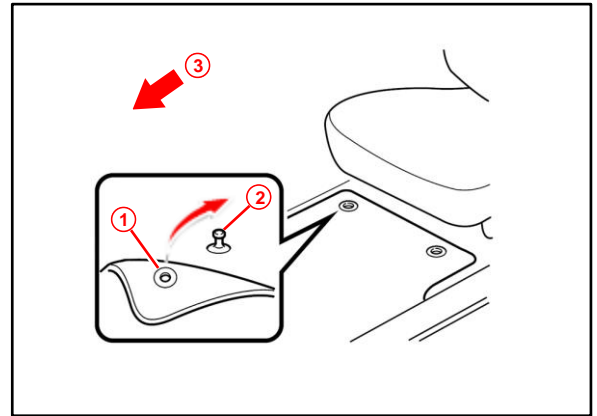
Floor Mat Installation During PDS

Installation Procedure: Pre-Installed Post Style

1. Verify that the driver, and if applicable, passenger side and rear seat floor mats are for the correct model and model year they are being installed in.

2. Align the floor mat grommets with the retention posts and press the floor grommets onto the retention posts until you hear and feel a click.

Figure 15.



1	Floor Mat Grommet
2	Retention Post
3	Front of Vehicle

3. Verify proper installation.

NOTE

Following installation, the floor mat grommets should be flush with the retention posts.