



# Technical Service Bulletin

SUBJECT: <b>TORQUE UPDATES: UNITS OF TIGHTENING TORQUE &amp; NUMERICAL VALUE FOR INTERIOR - SERVICE MANUAL REVISION</b>			No: <b>TSB-18-52A-002</b>
			DATE: <b>December 2018</b>
			MODEL: <b>See below</b>
<b>CIRCULATE TO:</b>	<input type="checkbox"/> GENERAL MANAGER	<input checked="" type="checkbox"/> PARTS MANAGER	<input checked="" type="checkbox"/> TECHNICIAN
<input checked="" type="checkbox"/> SERVICE ADVISOR	<input checked="" type="checkbox"/> SERVICE MANAGER	<input checked="" type="checkbox"/> WARRANTY PROCESSOR	<input type="checkbox"/> SALES MANAGER

## PURPOSE

This TSB updates the Interior section of the affected Service Manuals to correct the tightening torque for the Floor Console Assembly.

## AFFECTED VEHICLES

- 2011 - 2017 Lancer
- 2010 - 2017 Lancer Sportback
- 2008 - 2014 Lancer Evolution

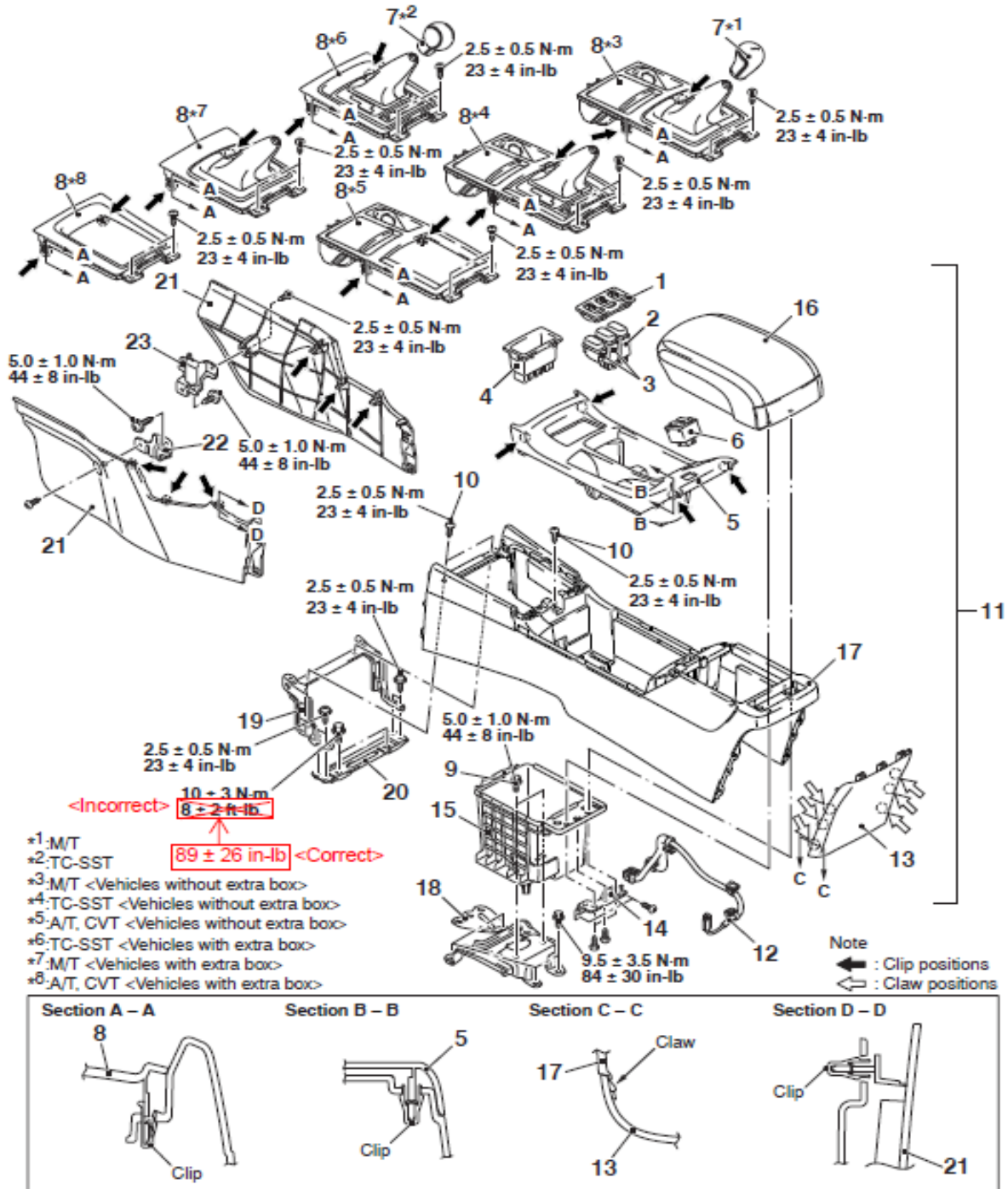
## AFFECTED SERVICE MANUAL

- 2010 Lancer Sportback Service Manual, Group 52A - Interior
- 2011-2017 Lancer/Lancer Sportback Service Manual, Group 52A - Interior
- 2008-2014 Lancer Evolution Service Manual, Group 52A - Interior



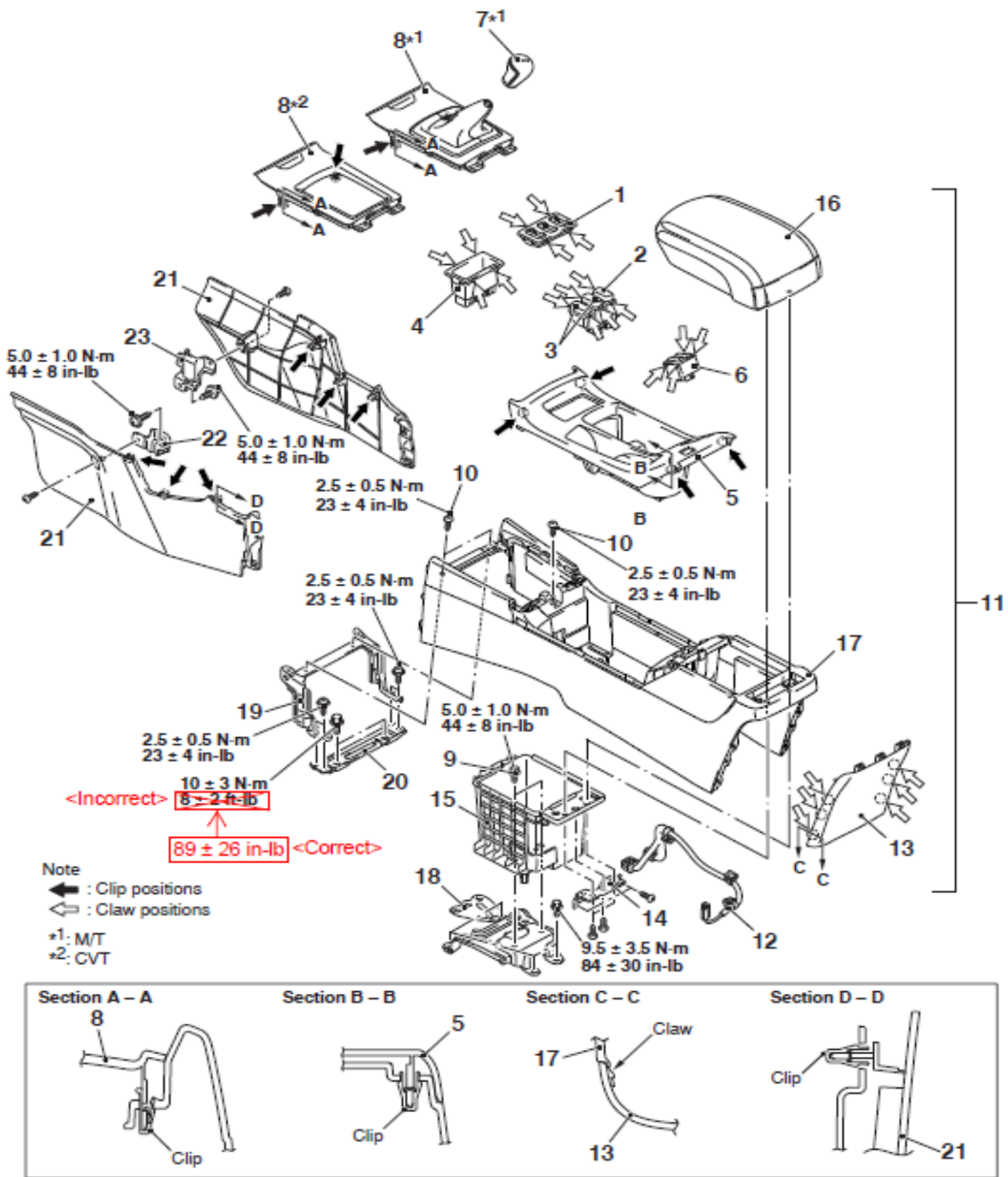
Please make the indicated changes to the 2011 - 2015 Lancer/Lancer Sportback Service Manual, Group 52A - Interior -> Floor Console Assembly -> Removal and Installation.

**REMOVAL AND INSTALLATION**



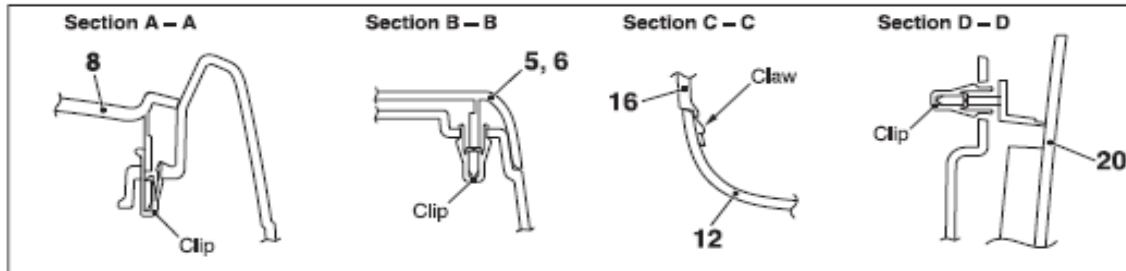
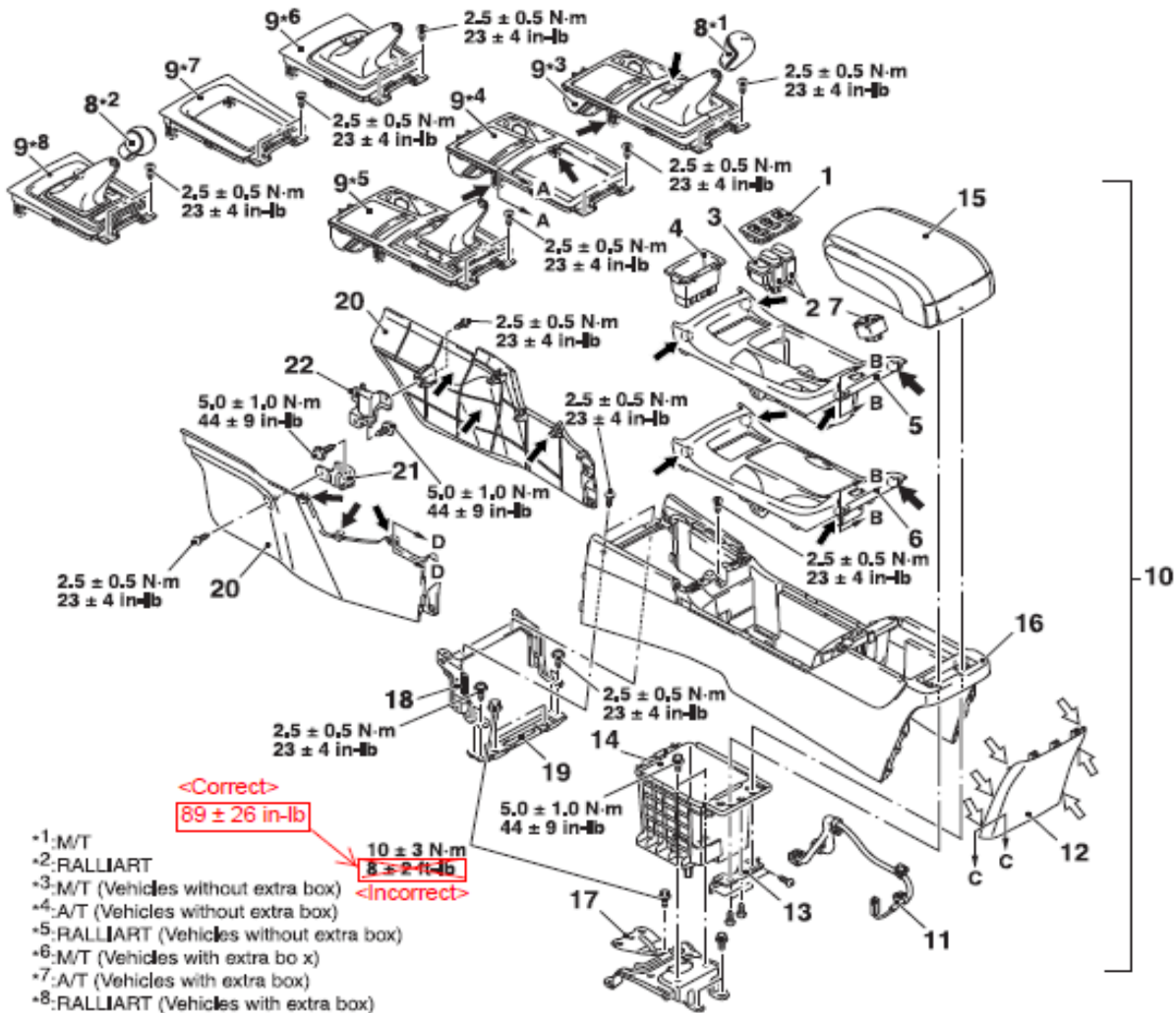
Please make the indicated changes to the 2016 - 2017 Lancer/Lancer Sportback Service Manual, Group 52A - Interior -> Floor Console Assembly -> Removal and Installation.

**REMOVAL AND INSTALLATION**



Please make the indicated changes to the 2010 Lancer Sportback Service Manual, Group 52A - Interior -> Floor Console Assembly -> Removal and Installation.

## REMOVAL AND INSTALLATION



AC901812AB

### Removal steps

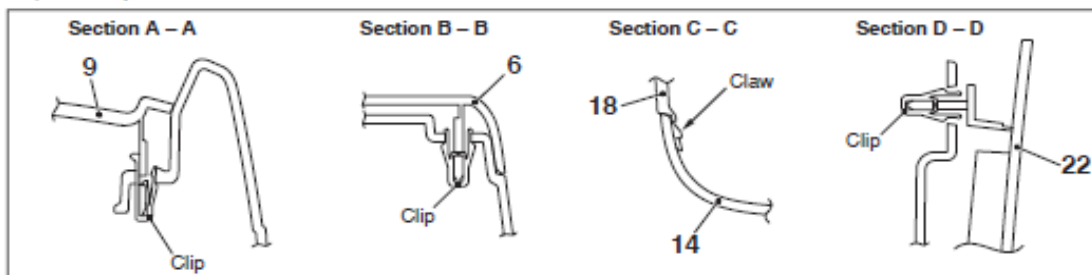
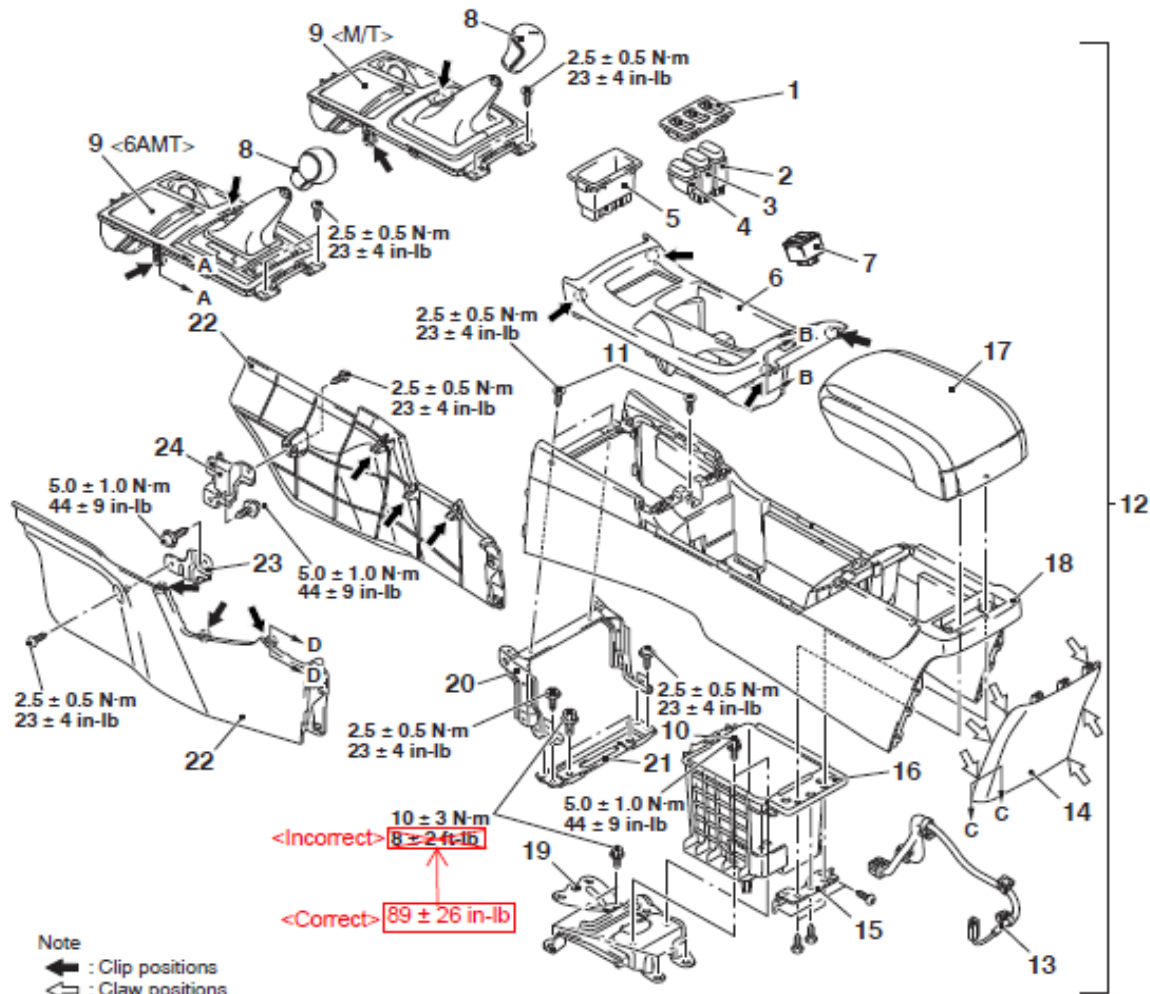
1. Floor console switch panel
2. Floor console plug
3. AFS control switch <Vehicles with AFS control switch>

### Removal steps

4. Floor console tray
5. Floor console box cup holder <Vehicles without cup holder lid>

Please make the indicated changes to the 2008 Lancer Evolution Service Manual, Group 52A - Interior -> Floor Console Assembly -> Removal and Installation.

### REMOVAL AND INSTALLATION



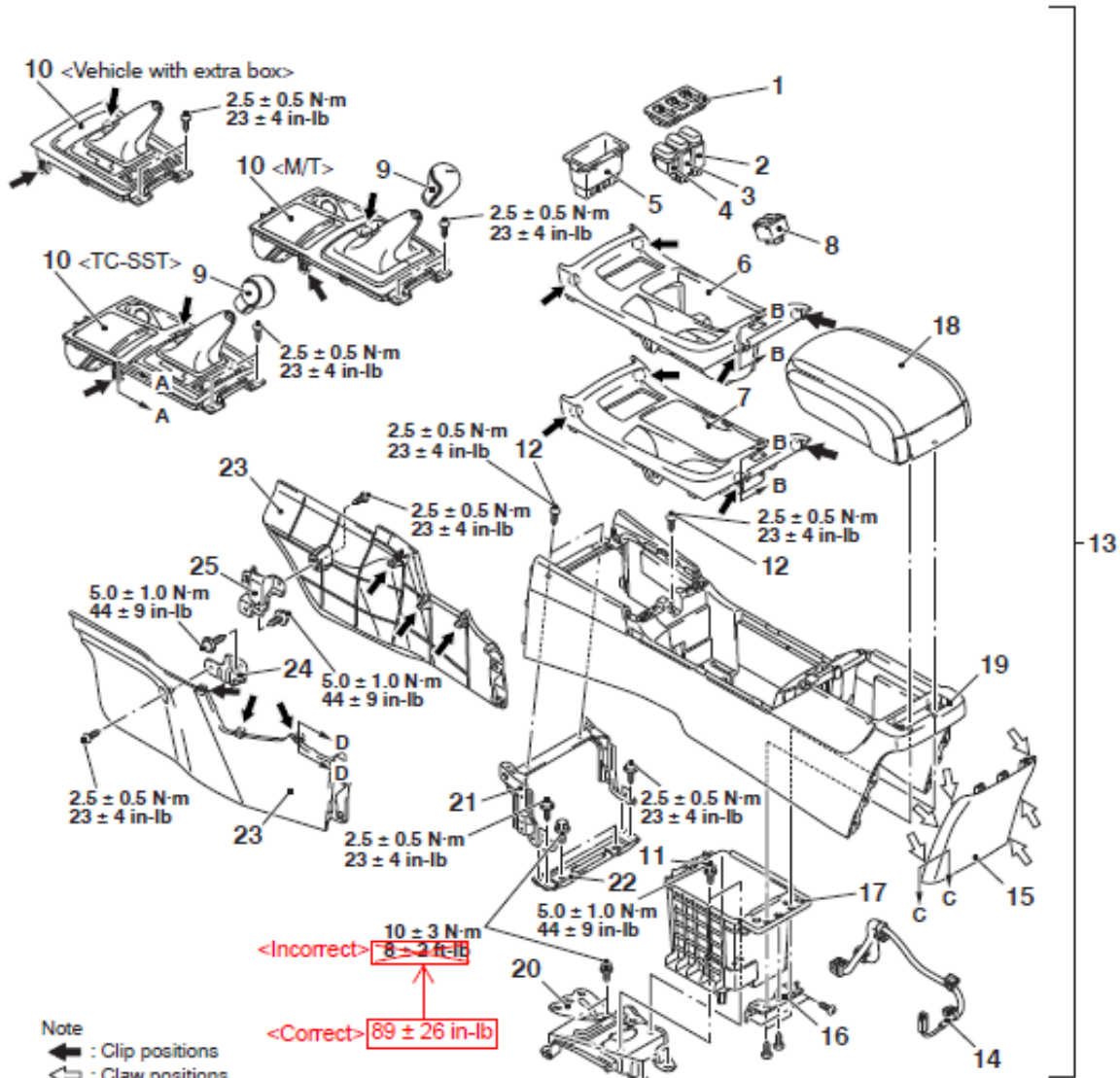
AC708396AB

- Removal steps**
1. Floor console switch panel
  2. AWC switch or Floor console plug  
<Option>

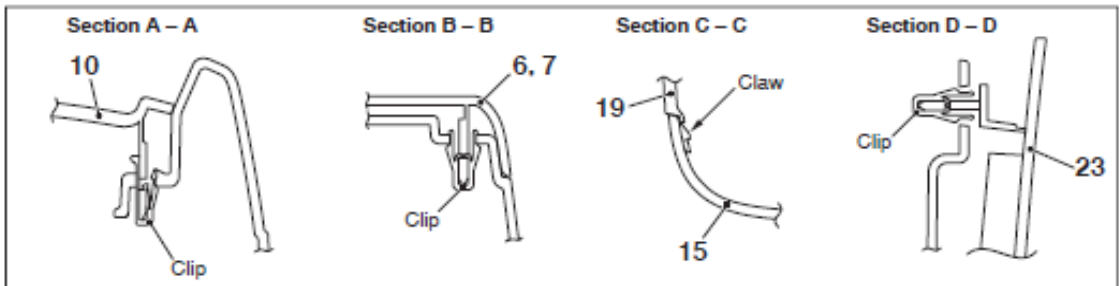
- Removal steps**
3. Floor console plug
  4. Floor console plug
  5. Floor console tray

Please make the indicated changes to the 2009 - 2013 Lancer Evolution Service Manual, Group 52A - Interior -> Floor Console Assembly -> Removal and Installation.

**REMOVAL AND INSTALLATION**



Note  
 → : Clip positions  
 ⇨ : Claw positions



Please make the indicated changes to the 2014 Lancer Evolution Service Manual, Group 52A - Interior -> Floor Console Assembly -> Removal and Installation.

### REMOVAL AND INSTALLATION

