



# Technical Service Bulletin

SUBJECT:		No: <b>TSB-18-42A-005</b>	
<b>TORQUE UPDATES: UNITS OF TIGHTENING TORQUE &amp; NUMERICAL VALUE FOR BODY - SERVICE MANUAL REVISION</b>		DATE: <b>December 2018</b>	
		MODEL: <b>2008-2014 Lancer Evolution</b>	
<b>CIRCULATE TO:</b>	<input type="checkbox"/> GENERAL MANAGER	<input checked="" type="checkbox"/> PARTS MANAGER	<input checked="" type="checkbox"/> TECHNICIAN
<input checked="" type="checkbox"/> SERVICE ADVISOR	<input checked="" type="checkbox"/> SERVICE MANAGER	<input checked="" type="checkbox"/> WARRANTY PROCESSOR	<input type="checkbox"/> SALES MANAGER

## PURPOSE

This TSB updates the Body section of the affected Service Manuals to correct the tightening torque for the Loose Panel.

## AFFECTED VEHICLES

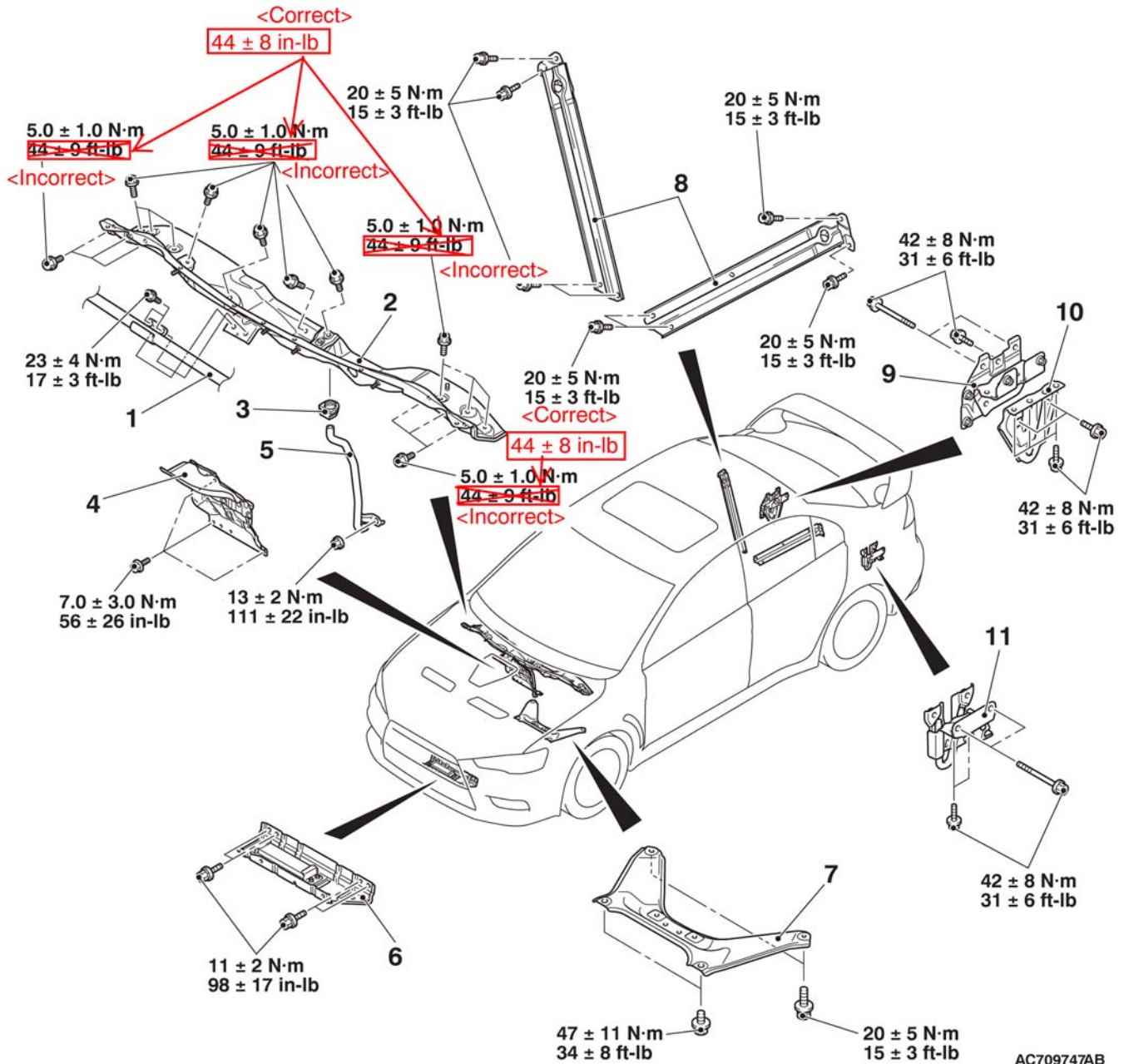
- 2008 - 2014 Lancer Evolution

## AFFECTED SERVICE MANUAL

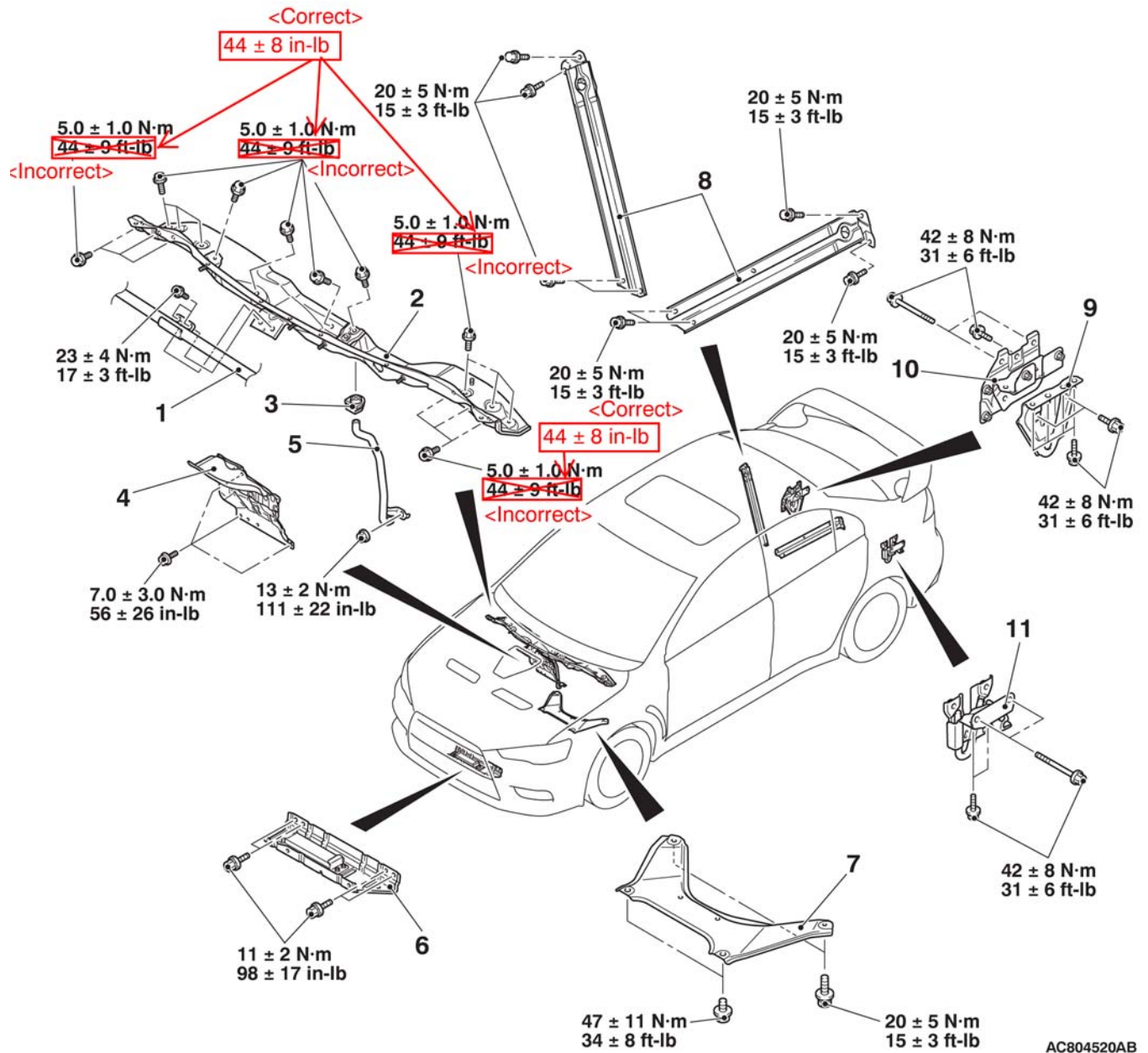
- 2008-2014 Lancer Evolution Service Manual, Group 42 - Body



Please make the indicated changes to the 2008 Lancer Evolution Service Manual, Group 42 - Body -> Body -> Loose Panel.



Please make the indicated changes to the 2009 Lancer Evolution Service Manual, Group 42 - Body -> Loose Panel.



Please make the indicated changes to the 2010 - 2014 Lancer Evolution Service Manual, Group 42 - Body -> Loose Panel.

