



Technical Service Bulletin

| | | | |
|--|---|--|--|
| SUBJECT: | | | No: TSB-18-37-001 |
| TORQUE UPDATES: UNITS OF TIGHTENING TORQUE & NUMERICAL VALUE FOR POWER STEERING - SERVICE MANUAL REVISION | | | DATE: December 2018 |
| | | | MODEL: See below |
| CIRCULATE TO: | <input type="checkbox"/> GENERAL MANAGER | <input checked="" type="checkbox"/> PARTS MANAGER | <input checked="" type="checkbox"/> TECHNICIAN |
| <input checked="" type="checkbox"/> SERVICE ADVISOR | <input checked="" type="checkbox"/> SERVICE MANAGER | <input checked="" type="checkbox"/> WARRANTY PROCESSOR | <input type="checkbox"/> SALES MANAGER |

PURPOSE

This TSB updates the Power Steering section of the affected Service Manuals to correct the tightening torque for the Power Steering Gear Box, Power Steering Control Unit (EPS-ECU), Steering Shaft, Power Steering Oil Pump Assembly and Power Steering Hoses.

AFFECTED VEHICLES

- 2008, 2011 - 2017 Lancer
- 2011 - 2017 Lancer Sportback
- 2008 & 2014 Lancer Evolution

AFFECTED SERVICE MANUAL

- 2008 Lancer Service Manual, Group 37 - Power Steering
- 2011-2017 Lancer/Lancer Sportback Service Manual, Group 37 - Power Steering
- 2008 & 2014 Lancer Evolution Service Manual, Group 37 - Power Steering



Please make the indicated changes to the 2008 Lancer Service Manual, Group 37 - Power Steering -> Power Steering Gear Box and Linkage.

REMOVAL AND INSTALLATION

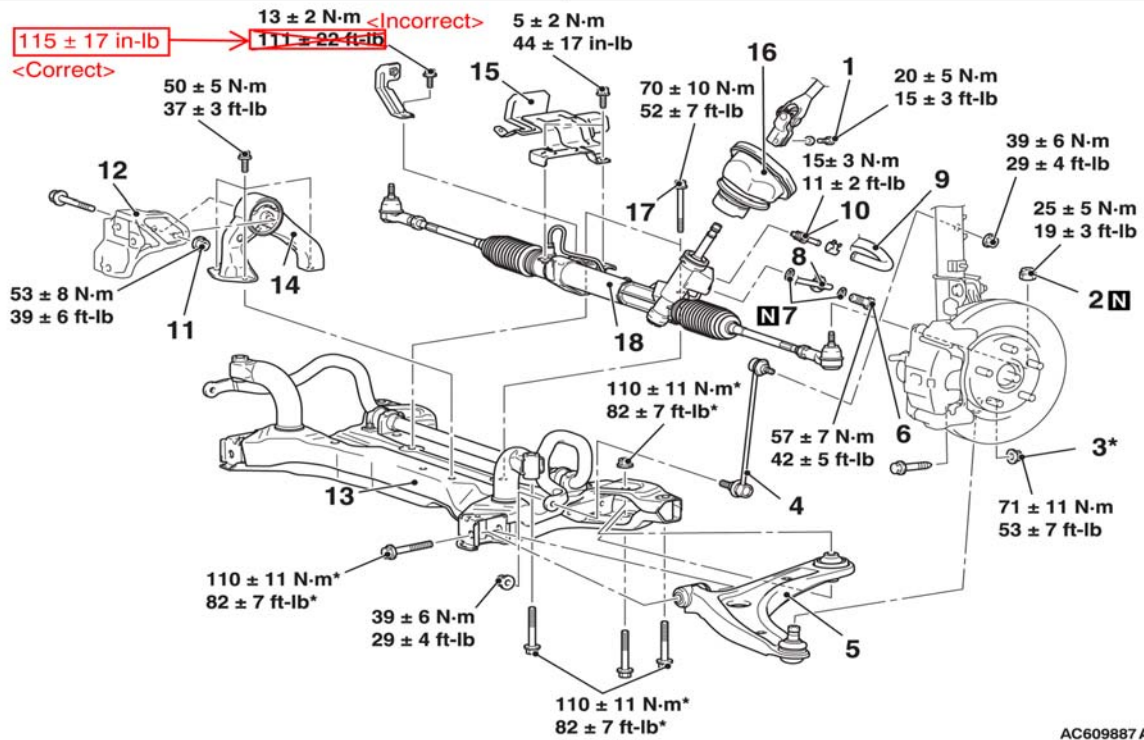
⚠ WARNING

Before removing the steering gear, refer to GROUP 52B, Service Precautions and Air Bag Module and Clock Spring. Center the front wheels. Failure to do so may damage the SRS clock spring and render the SRS system inoperative, risking serious injury.

⚠ CAUTION

The bolts and nuts marked with * are coated with the friction coefficient stabilizer. When removing these parts, make sure that they are free of damage, remove any dust and dirt on the bearing surfaces and the threads, and tighten to the specified torque.

| Pre-removal Operation | Post-installation Operation |
|--|--|
| <ul style="list-style-type: none"> Power Steering Fluid Draining (Refer to). Steering Wheel Assembly and Air Bag Module Removal (Refer to). Steering Shaft Cover Removal (Refer to). Engine Room Under Cover Front, Engine Room Side Cover, Front Floor Panel Rear Removal (Refer to GROUP 51 - Under Cover). Front Roll Stopper and Centermember Assembly Removal (Refer to GROUP 32 - Engine Roll Stopper and Centermember). | <ul style="list-style-type: none"> Front Roll Stopper and Centermember Assembly Installation (Refer to GROUP 32 - Engine Roll Stopper and Centermember). Engine Room Under Cover Front, Engine Room Side Cover, Front Floor Panel Rear Installation (Refer to GROUP 51 - Under Cover). Steering Shaft Cover Installation (Refer to). Steering Wheel Assembly and Air Bag Module Installation (Refer to). Power Steering Fluid Refilling and Bleeding (Refer to). |



AC609887 AB

- Removal steps**
- Steering gear and joint connecting bolt
 - Self-lock nut (Tie-rod end and knuckle connection)

- Removal steps**
- Flange nut (Lower arm and knuckle connection)
 - Stabilizer link
 - Lower arm assembly
 - Eye bolt
 - Gasket

<<A>>

Please make the indicated changes to the 2011 - 2015 Lancer/Lancer Sportback Service Manual, Group 37 - Power Steering -> Electric Power Steering (EPS) -> Electric Power Steering Control Unit (EPS-ECU).

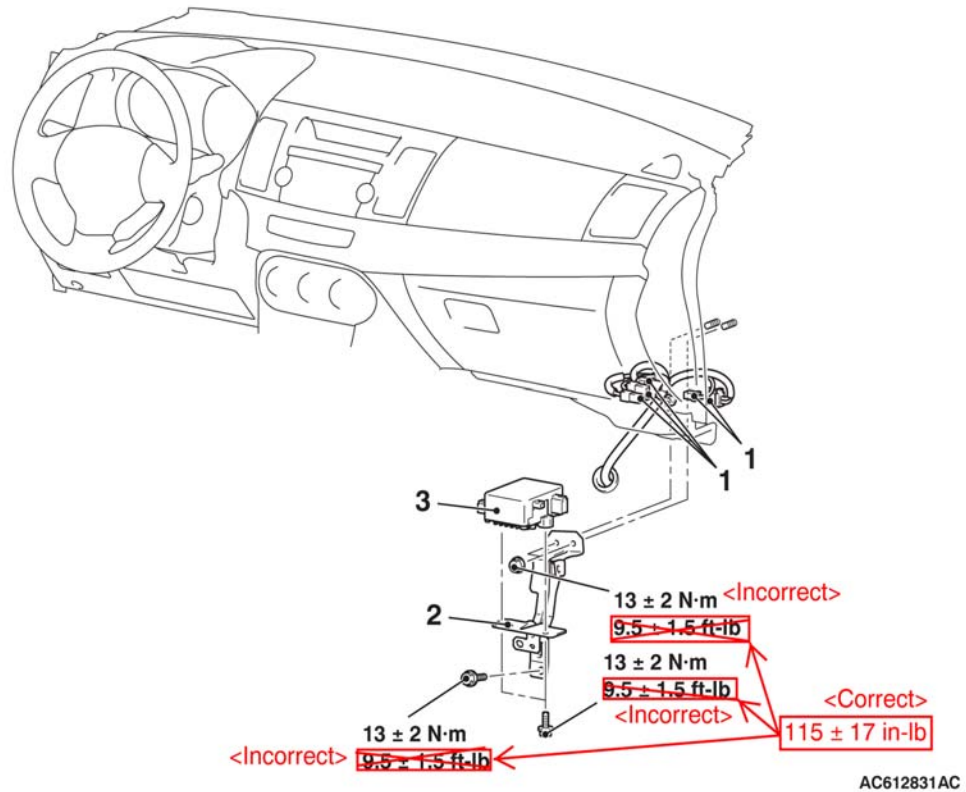
REMOVAL AND INSTALLATION

CAUTION

The electric power steering-ECU should be replaced together with the gear housing.

Pre-removal and Post-installation Operation

- Bottom Cover Removal and Installation (Refer to GROUP 52A - Glove Box).
- Cowl Side Trim Removal and Installation (Refer to GROUP 52A - Trim).



- >>A<< **Removal steps**
1. Electric power steering-ECU connector

- Removal steps**
2. Electric power steering-ECU bracket
 3. Electric power steering-ECU

INSTALLATION SERVICE POINT

>>A<< ELECTRIC POWER STEERING CONNECTOR

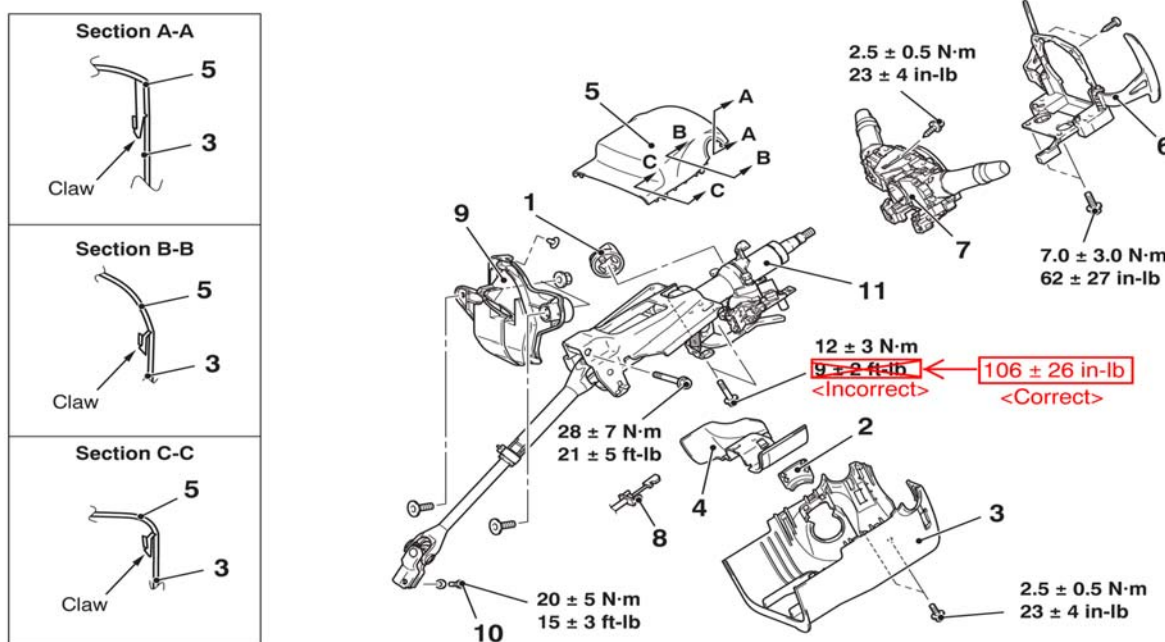
Please make the indicated changes to the 2008 Lancer Evolution Service Manual, Group 37 - Power Steering -> Steering Shaft -> Removal and Installation.

REMOVAL AND INSTALLATION

CAUTION

- Before removing the steering wheel assembly and driver's air bag module/knee air bag module, always refer to GROUP 52B – Service Precautions and Air bag Module and Clock Spring or Knee Air bag Module .)
- After installation, perform a calibration for the ASC-ECU to learn the steering wheel sensor neutral point. (Refer to GROUP 35C – On-vehicle Service, Steering Wheel Sensor Calibration .)

| Pre-removal Operation | Post-installation Operation |
|---|---|
| <ul style="list-style-type: none"> • Steering wheel at straight-ahead position check • Steering wheel assembly removal (Refer to .) • Instrument panel cover lower removal (Refer to GROUP 52A – Instrument Lower Panel .) <MR> • Knee air bag module removal (Refer to GROUP 52B – Driver's Knee Air Bag Module .) | <ul style="list-style-type: none"> • Instrument panel cover lower installation (Refer to GROUP 52A – Instrument Lower Panel .) <MR> • Steering wheel assembly installation (Refer to .) • Steering wheel straight-ahead position check |



Note: claw position is symmetrical

AC709222AB

<<A>>

Removal steps

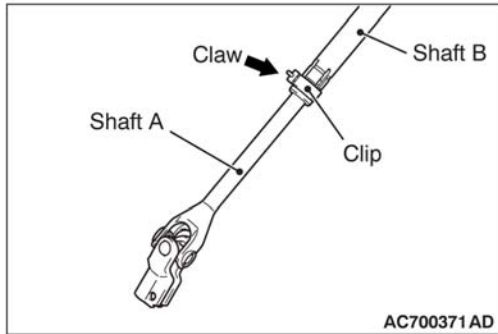
1. Knob cap <Vehicles with KOS>
2. Ignition key cover
3. Steering column lower cover
4. Steering column protector

Removal steps

- Receiver antenna module removal (Refer to GROUP 42B – Exterior Transmitter Antenna Assembly, Interior Transmitter Antenna Assembly, Receiver Antenna Module .) <Vehicles with KOS>
- WCM removal (Refer to GROUP 42C – WCM .) <Vehicles with WCM>
- 5. Steering column upper cover

<<C>> STEERING COLUMN SHAFT ASSEMBLY DISCONNECTION

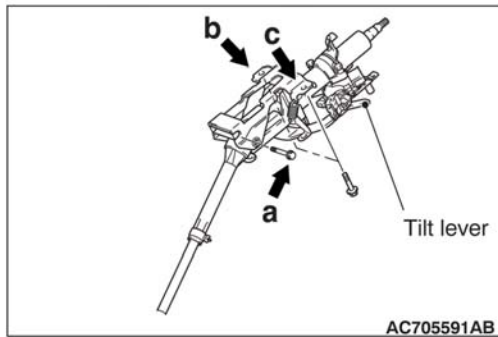
Disconnect the steering gear from the steering column shaft assembly while sliding shaft A to shaft B with the clip claw as shown in the figure being pinched.



INSTALLATION SERVICE POINT

>>A<< Steering column shaft assembly installation (1a)

1. Ensure that the tilt lever is in the lock position.
2. Temporarily tighten the mounting bolts in the order of a, b, and c, and then tighten them in the order of c, b, and a to the specified torque.



Tightening torque a: 28 ± 7 N·m (21 ± 5 ft-lb)

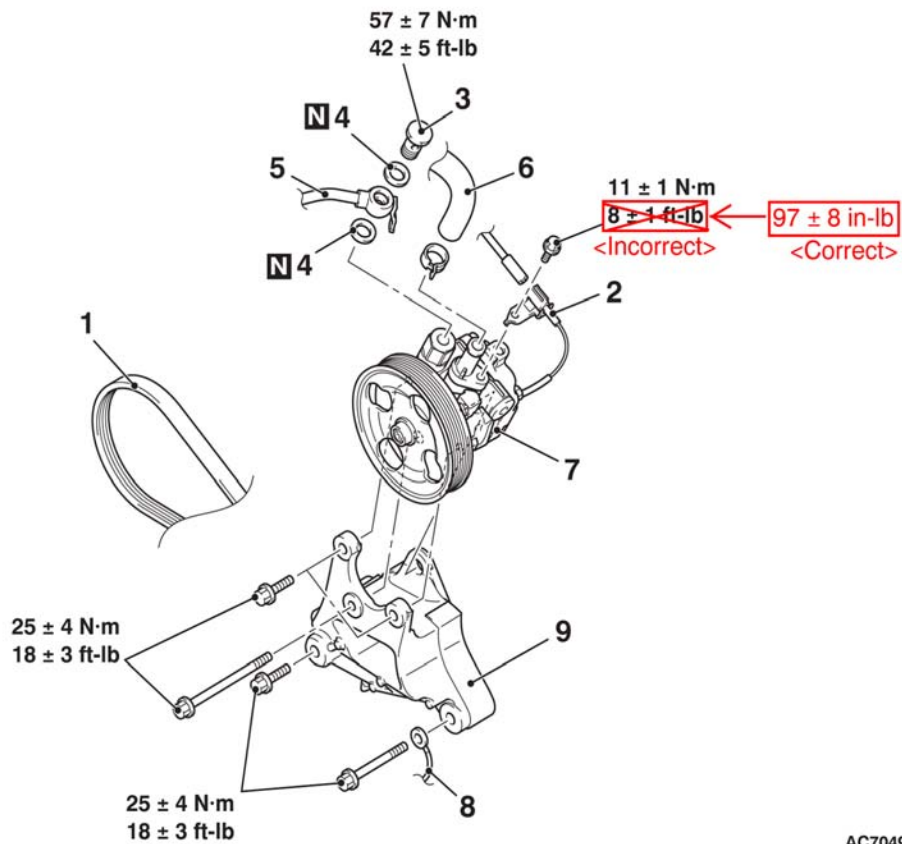
Tightening torque b,c: 12 ± 3 N·m (~~9 ± 2 ft-lb~~) <Incorrect>

(106 ± 26 in-lb) <Correct>

Please make the indicated changes to the 2008 Lancer Evolution Service Manual, Group 37 - Power Steering -> Power Steering Oil Pump Assembly -> Removal and Installation.

REMOVAL AND INSTALLATION

| Pre-removal Operation | Post-installation Operation |
|--|---|
| <ul style="list-style-type: none"> Power steering fluid draining (Refer to .) Engine upper cover removal (Refer to GROUP 11A - Camshaft .) Radiator condenser tank removal (Refer to GROUP 14 - Radiator .) | <ul style="list-style-type: none"> Radiator condenser tank installation (Refer to GROUP 14 - Radiator .) Engine upper cover installation (Refer to GROUP 11A - Camshaft .) Drive belt tension adjustment (Refer to GROUP 11A - Engine Adjustment, and Drive Belt Tension Check and Adjustment .) Power steering fluid refilling and bleeding (Refer to .) |



AC704977AB

Removal steps

- Generator and others belt (Refer to GROUP 11A - Crankshaft Pulley Removal and Installation).
- Pressure switch connector connection
- Eye bolt

>A<<

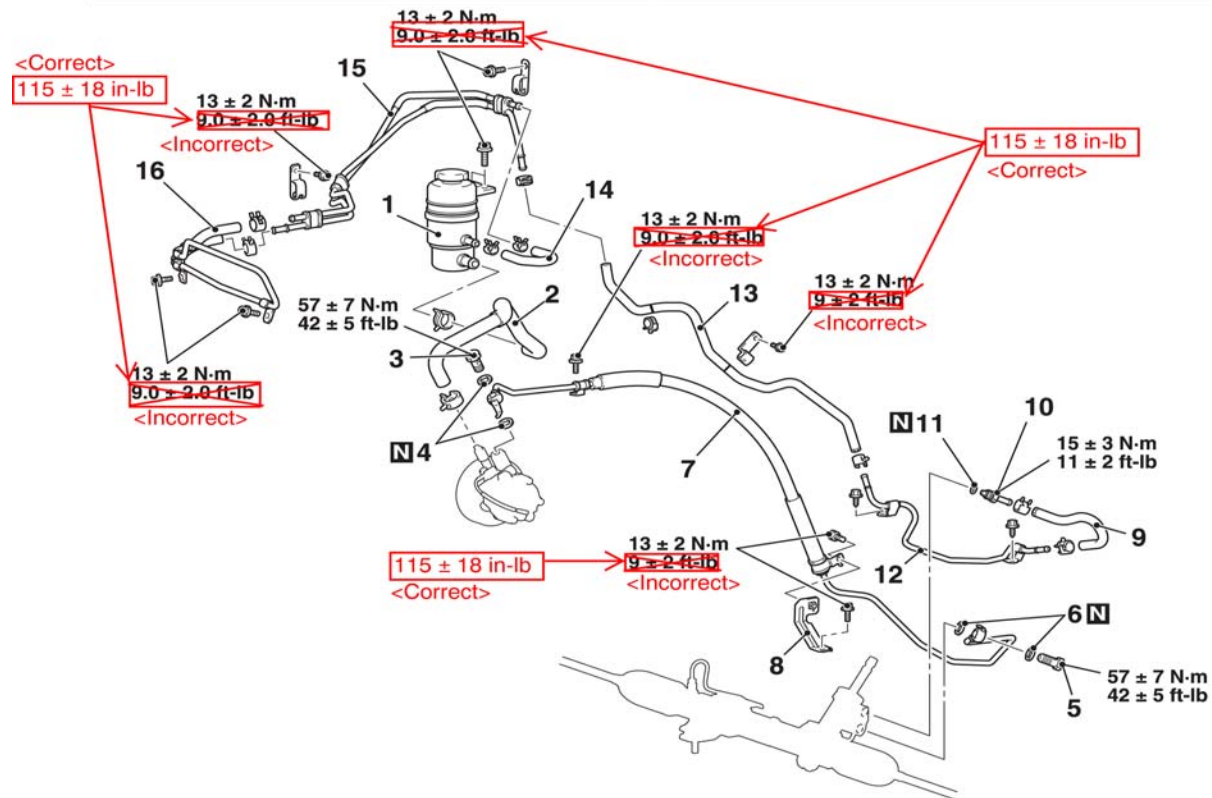
Removal steps

- Gasket
- Pressure hose assembly connection
- Suction hose connection
- Oil pump assembly
- Ground connection
- Oil pump bracket

Please make the indicated changes to the 2008 Lancer Evolution Service Manual, Group 37 - Power Steering -> Power Steering Hoses -> Removal and Installation.

REMOVAL AND INSTALLATION

| Pre-removal Operation | Post-installation Operation |
|---|---|
| <ul style="list-style-type: none"> • Power steering fluid draining (Refer to .) • Front bumper assembly removal (Refer to GROUP 51, Front Bumper Assembly and Radiator Grille.) • Headlight (RH) removal (Refer to GROUP 54A Headlight.) • Strut tower bar removal (Refer to GROUP 42A Strut Tower Bar.) • Engine upper cover removal (Refer to GROUP 11A - Camshaft.) | <ul style="list-style-type: none"> • Strut tower bar installation (Refer to GROUP 42A - Strut Tower Bar.) • Headlight (RH) installation (Refer to GROUP 54A - Headlight .) • Front bumper assembly installation (Refer to GROUP 51 - Front Bumper Assembly and Radiator Grille.) • Power steering fluid refilling and bleeding (Refer to .) • Engine upper cover installation (Refer to GROUP 11A - Camshaft.) |



AC708301AB

- Removal steps**
- >>D<<
1. Oil reservoir
 2. Suction hose
 3. Eye bolt
 4. Gasket
 5. Eye bolt
 6. Gasket
- >>C<<
7. Pressure hose
 8. Pressure hose bracket

- Removal steps**
- >>B<<
9. Return hose
 10. Return tube
 11. Gasket
- >>A<<
12. Return tube
 13. Return hose
 14. Return hose
 15. Return tube
- >>A<<
16. Cooler tube assembly

INSTALLATION SERVICE POINTS

>>A<< COOLER TUBE ASSEMBLY/RETURN TUBE ASSEMBLY

