



Technical Service Bulletin

SUBJECT:			No: TSB-18-16-001
TORQUE UPDATES: UNITS OF TIGHTENING TORQUE & NUMERICAL VALUE FOR ENGINE ELECTRICAL - SERVICE MANUAL REVISION			DATE: December 2018
			MODEL: See below
CIRCULATE TO:	<input type="checkbox"/> GENERAL MANAGER	<input checked="" type="checkbox"/> PARTS MANAGER	<input checked="" type="checkbox"/> TECHNICIAN
<input checked="" type="checkbox"/> SERVICE ADVISOR	<input checked="" type="checkbox"/> SERVICE MANAGER	<input checked="" type="checkbox"/> WARRANTY PROCESSOR	<input type="checkbox"/> SALES MANAGER

PURPOSE

This TSB updates the Engine Electrical section of the affected Service Manuals to correct the tightening torque of the generator assembly disassembly and assembly removal and installation.

AFFECTED VEHICLES

- 2009 - 2017 Lancer
- 2009 - 2017 Lancer Sportback
- 2008 - 2014 Lancer Evolution

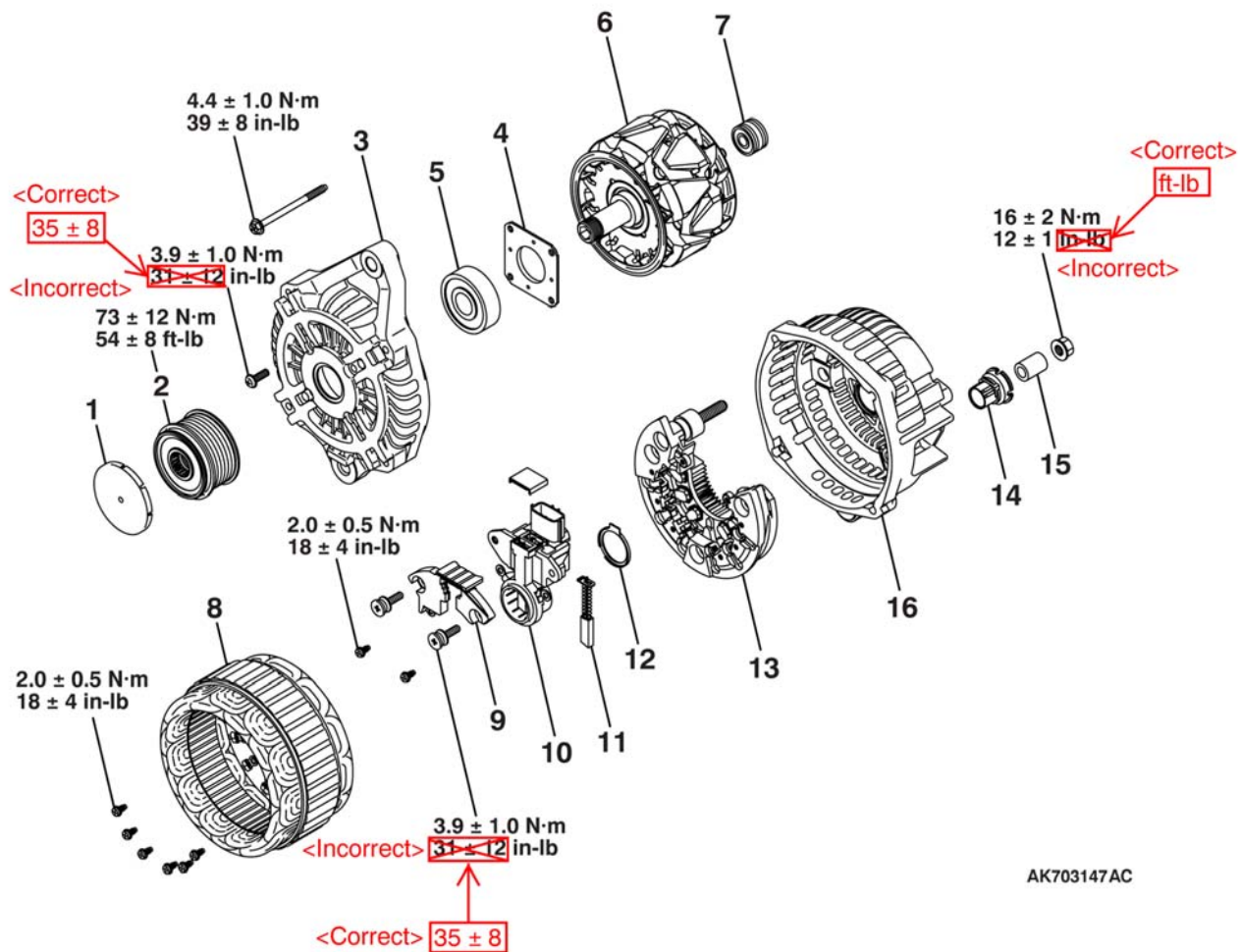
AFFECTED SERVICE MANUAL

- 2009 - 2010 Lancer Service Manual, Group 16 - Engine Electrical
- 2009 - 2010 Lancer Sportback Service Manual, Group 16 - Engine Electrical
- 2011 - 2017 Lancer/Lancer Sportback Service Manual, Group 16 - Engine Electrical
- 2008 - 2014 Lancer Evolution Service Manual, Group 16 - Engine Electrical



Please make the indicated changes to the 2009 - 2012, 2016 & 2017 Lancer, 2009 - 2014 Lancer Evolution 2016 & 2017 Lancer Sportback Service Manual, Group 16 - Engine Electrical -> Charging System -> Disassembly and Assembly.

DISASSEMBLY AND ASSEMBLY

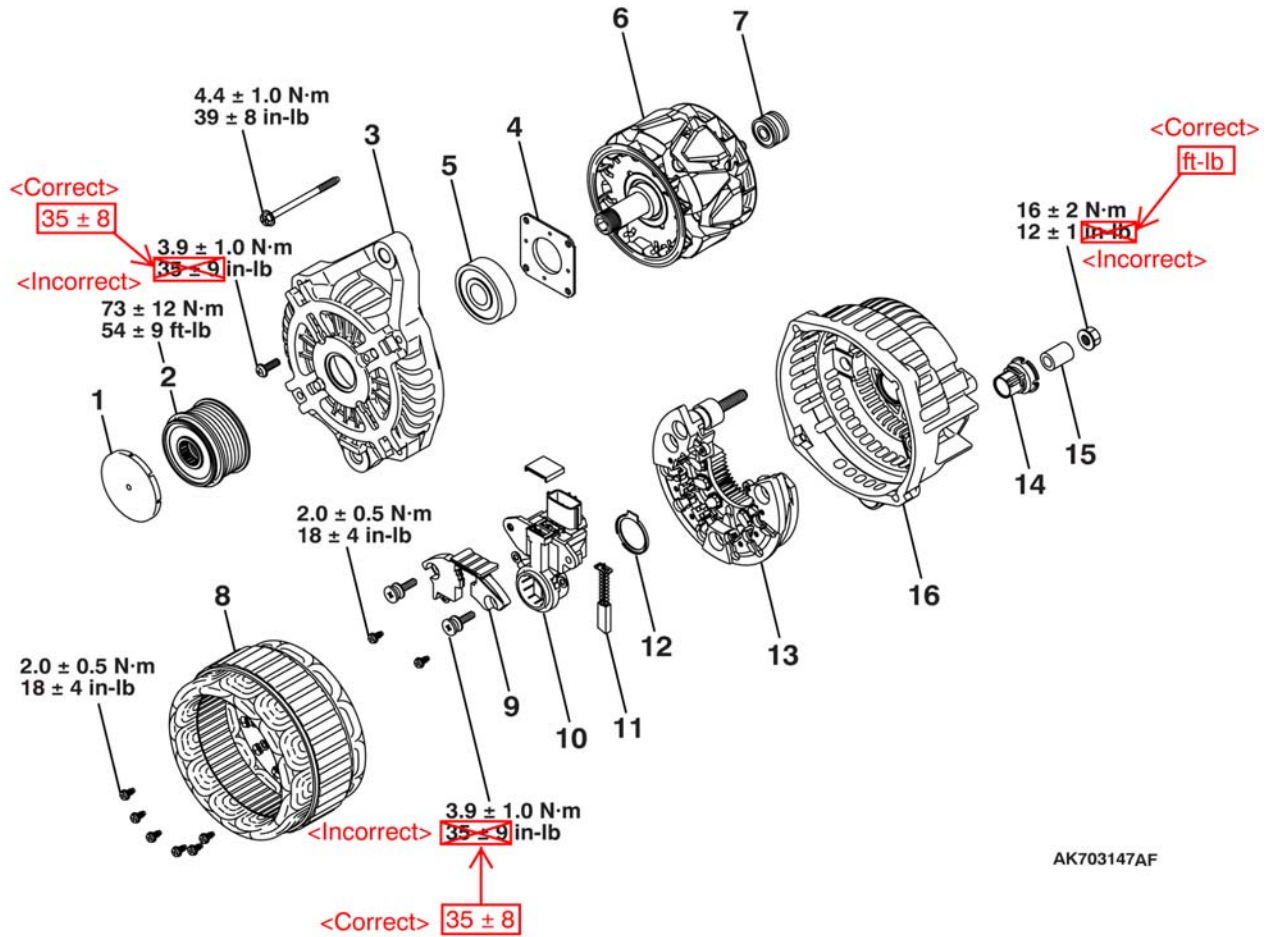


AK703147AC

Please make the indicated changes to the 2009 & 2010 Lancer Sportback Service Manual, Group 16 - Engine Electrical -> Charging System -> Disassembly and Assembly.

DISASSEMBLY AND ASSEMBLY

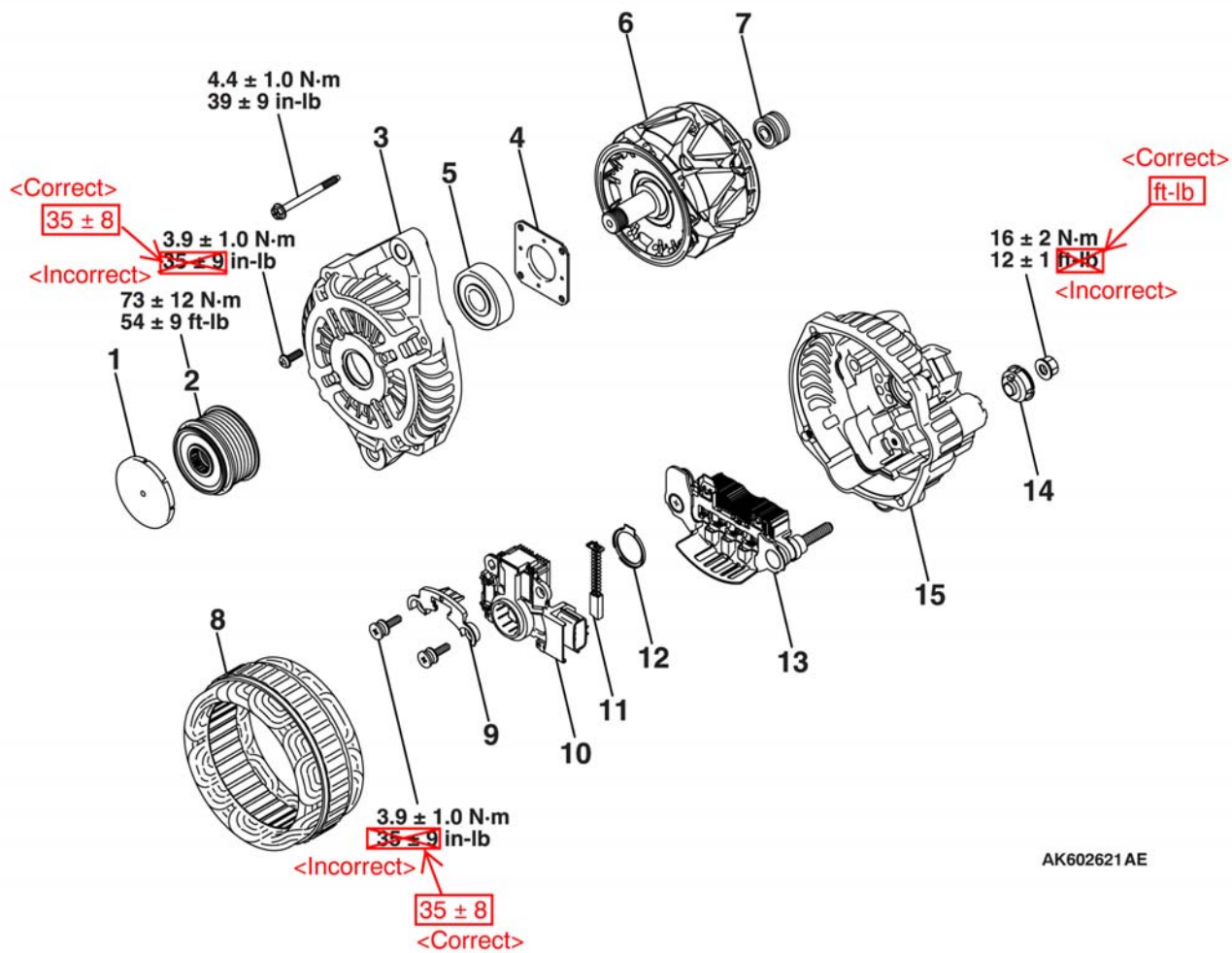
<2.0L ENGINE>



AK703147AF

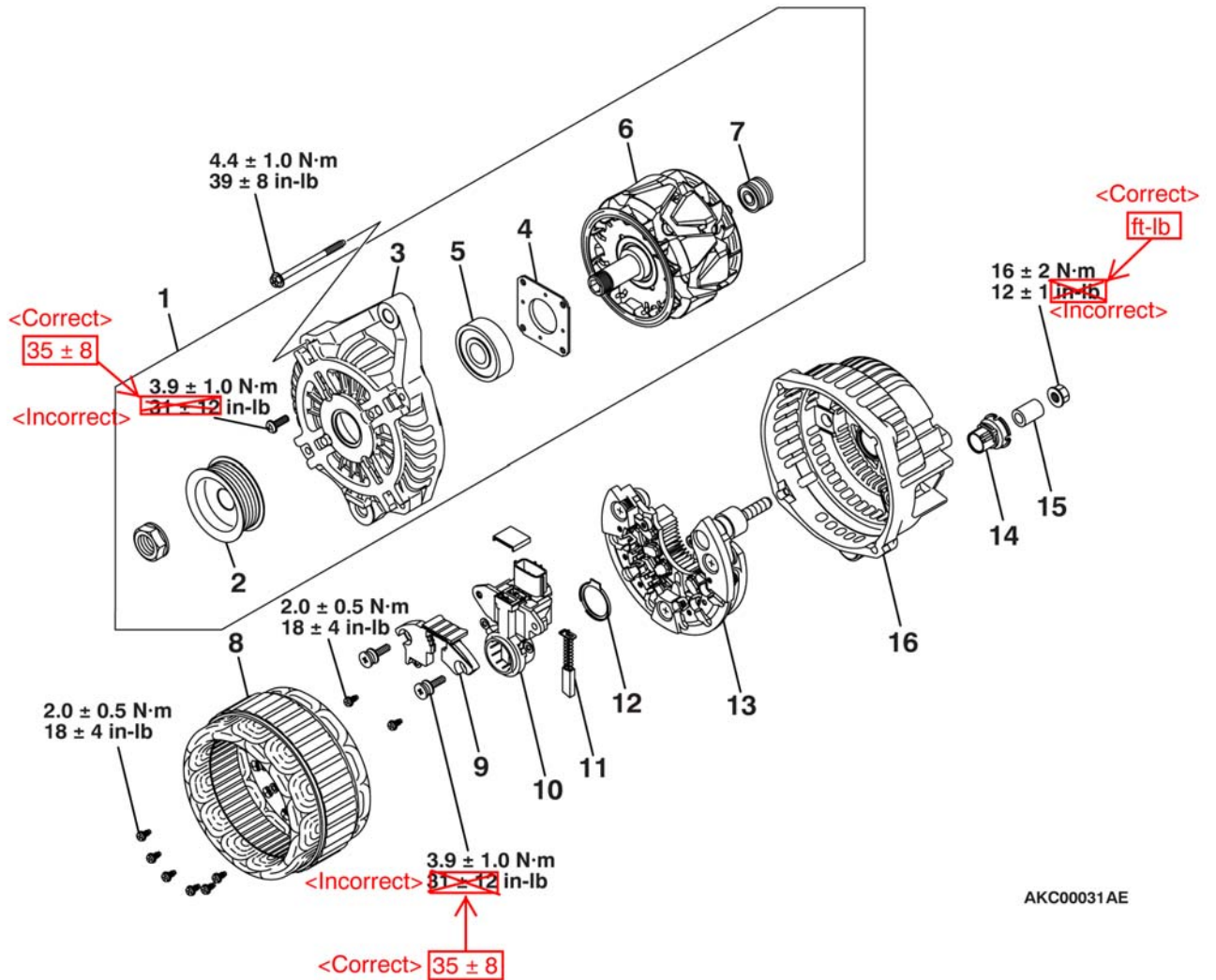
Please make the indicated changes to the 2009 & 2010 Lancer Sportback Service Manual, Group 16 - Engine Electrical -> Charging System -> Disassembly and Assembly.

<2.4L ENGINE>

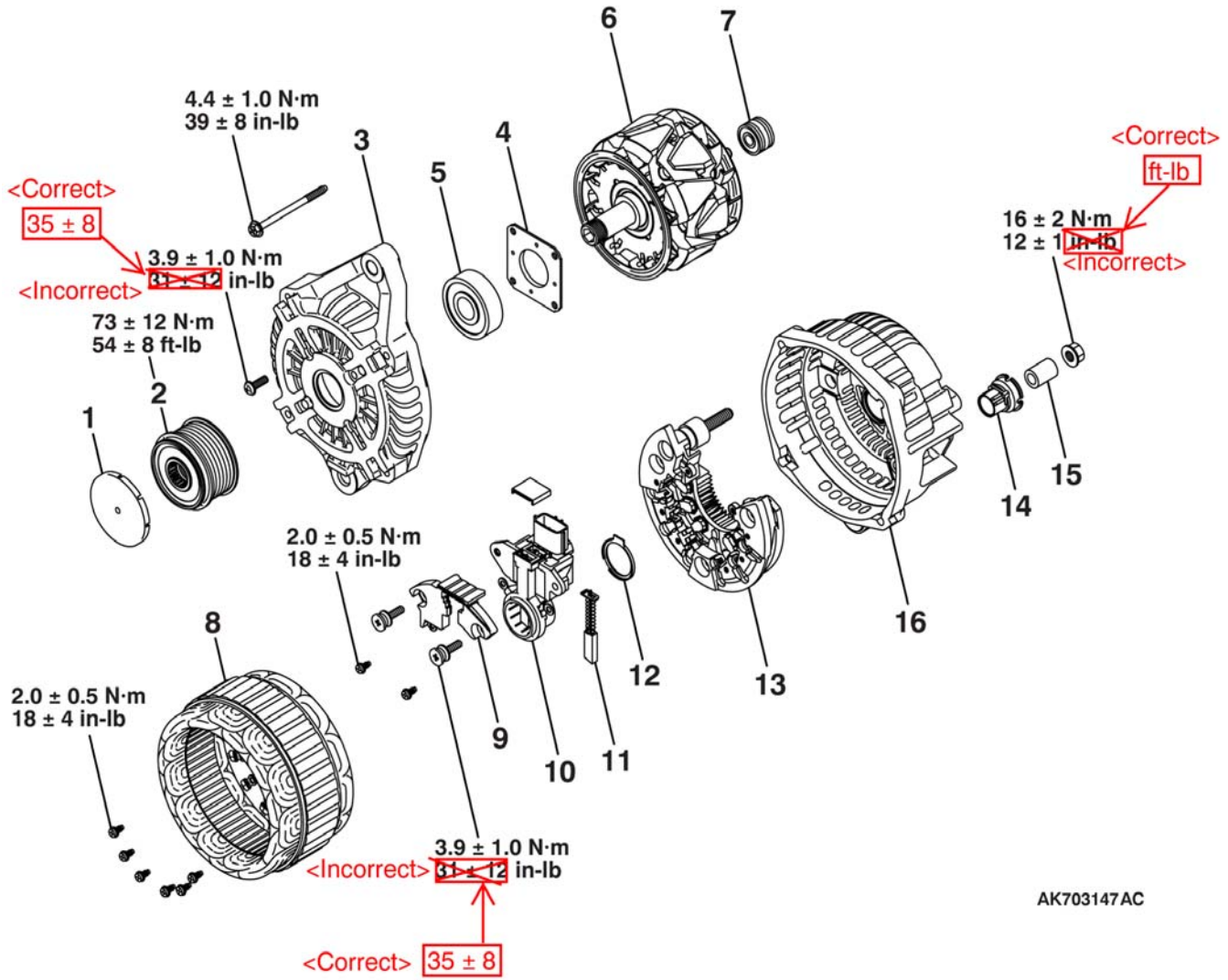


Please make the indicated changes to the 2013 - 2014 Lancer / Lancer Sportback Service Manual, Group 16 - Engine Electrical -> Charging System -> Disassembly and Assembly.

DISASSEMBLY AND ASSEMBLY



Please make the indicated changes to the 2013 - 2014 Lancer / Lancer Sportback Service Manual, Group 16 - Engine Electrical -> Charging System -> Disassembly and Assembly.



AK703147 AC