



# Technical Service Bulletin

SUBJECT:			No: <b>TSB-18-11-001</b>
<b>TORQUE UPDATES: UNITS OF TIGHTENING TORQUE &amp; NUMERICAL VALUE FOR ENGINE - SERVICE MANUAL REVISION</b>			DATE: <b>December 2018</b>
			MODEL: <b>See below</b>
<b>CIRCULATE TO:</b>	<input type="checkbox"/> GENERAL MANAGER	<input checked="" type="checkbox"/> PARTS MANAGER	<input checked="" type="checkbox"/> TECHNICIAN
<input checked="" type="checkbox"/> SERVICE ADVISOR	<input checked="" type="checkbox"/> SERVICE MANAGER	<input checked="" type="checkbox"/> WARRANTY PROCESSOR	<input type="checkbox"/> SALES MANAGER

## PURPOSE

This TSB updates the Engine section of the affected Service Manuals to correct the tightening torque for the Fastener Tightening Specifications and Oil Pump Chain Removal and Installation.

## AFFECTED VEHICLES

- 2009 - 2015 Lancer
- 2009 - 2015 Lancer Sportback
- 2008 - 2014 Lancer Evolution

## AFFECTED SERVICE MANUAL

- 2009 & 2010 Lancer Service Manual, Group 11 - Engine
- 2009-2010 Lancer Sportback Service Manual, Group 11 - Engine
- 2011 & 2015 Lancer/Lancer Sportback Service Manual, Group 11 - Engine
- 2008-2014 Lancer Evolution Service Manual, Group 11 - Engine



Please make the indicated changes to the 2009-2015 Lancer and 2011-2015 Lancer Sportback Service Manual, Group 11 - Engine -> Engine Overhaul -> Fastener Tightening Specifications.

<b>Intake manifold and fuel system</b>	
Oil dipstick guide bolt	10 ± 2 N·m (89 ± 17 in-lb)
Fuel return pipe bolt	5.5 ± 1.5 N·m (49 ± 12 in-lb)
Fuel pressure regulator bolt	9.0 ± 3.0 N·m (80 ± 26 in-lb)
Fuel rail bolt	12 ± 3 N·m (106 ± 26 <span style="border: 1px solid red; padding: 0 2px;">ft-lb</span> ) <span style="color: red;">&lt;Incorrect&gt;</span>
Intake manifold stay bolt	23 ± 6 N·m (17 ± 4 ft-lb)

in-lb <Correct>



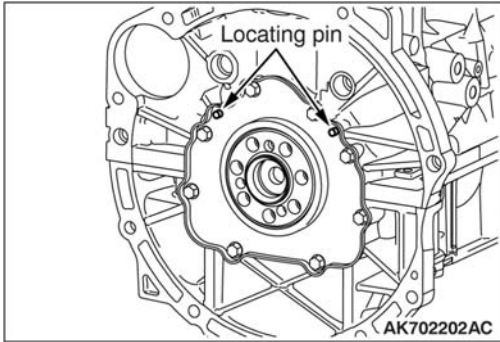
Please make the indicated changes to the 2008-2014 Lancer Evolution Service Manual, Group 11 - Engine -> Engine Overhaul -> Fastener Tightening Specifications.

<b>Intake manifold and fuel system</b>	
Oil dipstick guide bolt	10 ± 2 N·m (89 ± 17 in-lb)
Fuel pressure regulator bolt	9.0 ± 3.0 N·m (80 ± 26 in-lb)
Fuel rail bolt	12 ± 3 N·m (106 ± 26 <del>ft-lb</del> ) <Incorrect>
Intake manifold stay bolt	23 ± 6 N·m (17 ± 4 ft-lb)

in-lb <Correct>



Please make the indicated changes to the 2009-2015 Lancer, 2008-2014 Lancer Evolution, 2011-2015 Lancer Sportback, Service Manual, Group 11 - Engine -> Engine Overhaul -> Oil Pump Chain.

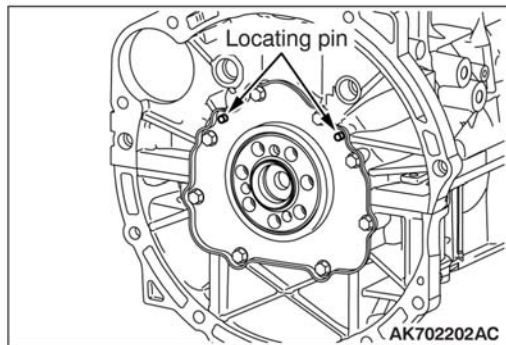


5. Install the rear oil seal case aligned with the locating pin and tighten it to the specified torque.

**Specified torque:  $10 \pm 2$  N·m ( $89 \pm 17$  ~~ft-lb~~)**

<Incorrect>  
~~ft-lb~~  
↑  
in-lb <Correct>

Please make the indicated changes to the 2009 & 2010 Lancer Sportback Service Manual, Group 11 - Engine -> Engine Overhaul -> Oil Pump Chain.



5. Install the rear oil seal case aligned with the locating pin and tighten it to the specified torque.

**Tightening torque:  $10 \pm 2$  N-m ( $89 \pm 17$  ~~ft-lb~~)**

<Incorrect>  
↑  
in-lb <Correct>