



# TRAIL KING Industries, Inc.

---

1200 Gehl Drive  
Yankton, SD 57078  
Phone: (605) 665-8415  
Fax: (605) 665-0810

2200 S. Ohlman Rd  
Mitchell, SD 57301-7064  
Phone: (800) 843-3324  
Fax: (605) 995-3749

2130 3<sup>rd</sup> Ave NW  
West Fargo, ND 58078  
Phone: (800) 762-5557  
Fax: (701) 282-3039

300 E. Norway Avenue  
Mitchell, SD 57301-7064  
Phone: (800) 843-3324  
Fax: (605) 996-4727

## TECHNICAL SERVICE BULLETIN

**DATE: 12/3/2018**

**TSB # TSB201803**

**RE: Tool Box Mounts**

**Model years: 2016 - 2018**

**This Technical Service Bulletin relates to all ACS/AACS models that had factory installed tool boxes. Model Numbers TK70/80/85ACS/AACS.**

**Trail King has inspected a sample of the Unit population, and observed in some instances cracking in the tool box mounts.**

**Where cracking is present, the applicable bracket should be replaced with a mount made of steel. This repair will be made to your customer at no charge.**

**The repair will take approximately 1 hour. Please inspect trailers in your respective territory and contact Trail King Material Hauling Customer Service for authorization for repair. Material Hauling Customer Service can be reached at 1-800-762-5557**

**Please see the Technical Service Bulletin attached for the instructions for the repair.**

**Ty Hanten**

**Director of Quality  
Trail King Industries Inc.  
Mitchell, SD 57301**

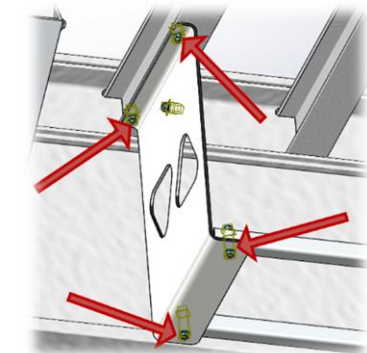
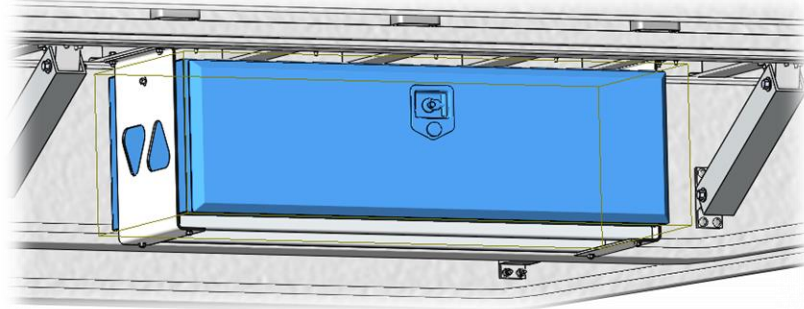


# Process to Change Toolbox Mount Brackets

## TRAIL KING Industries, Inc.

Below are the instructions for replacing the toolbox side mounting brackets.

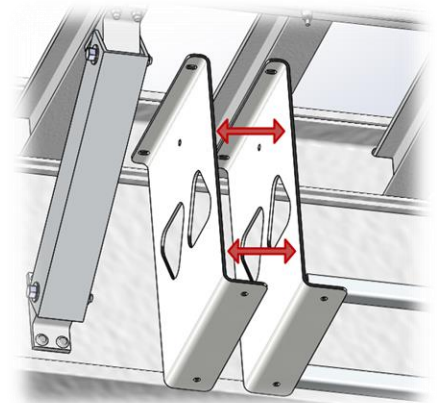
- Remove toolbox (highlighted in blue) from bracket assembly as shown to the right.



- Remove bolts from side mounting brackets as shown to the left. Repeat for both sides of toolbox mount.

to the right. Repeat for both sides of toolbox mount.

- Replace old side mount angles with new angles as shown



- Reinstall bolts on side mounting brackets as shown to the left. Repeat for both sides of toolbox mount.

- Reinstall toolbox into mounting brackets and onto the trailer as shown to the right.

