

December 19, 2018

Version 1

**2017-18 CR-V: Software Update with A/C Control Unit Replacement;
DTC P0300, P0301, P0302, P0303, P0304, or P0172****AFFECTED VEHICLES**

Year	Model	Trim	VIN Range
2017-18	CR-V	EX, EX-L, Touring	Check the iN VIN status for eligibility.

BACKGROUND

Under certain circumstances, the vehicle may experience driveability issues, which may result in DTCs P0300 (random misfire detected), P0301 (No. 1 cylinder misfire detected), P0302 (No. 2 cylinder misfire detected), P0303 (No. 3 cylinder misfire detected), P0304 (No. 4 cylinder misfire detected), or P0172 (fuel system too rich).

NOTE

Check the VIN of the vehicle to see if either 18-114 or 18-124 applies. If either one applies, disregard this bulletin.

POSSIBLE CAUSE

There is a problem with the ECU software.

CORRECTIVE ACTION

Reset the maintenance minder, and replace only the engine oil. Inspect and replace the A/C control unit and spark plugs if needed. Clear any DTCs, and update the PGM-FI and TCU software with the latest version. Reset the throttle position learned values, and do the PCM idle learn procedure.

CUSTOMER INFORMATION:The information in this bulletin is intended for use only by skilled technicians who have the proper tools, equipment, and training to correctly and safely maintain your vehicle. These procedures should not be attempted by "do-it-yourselfers," and you should not assume this bulletin applies to your vehicle, or that your vehicle has the condition described. To determine whether this information applies, contact an authorized Honda automobile dealer.

WARRANTY CLAIM INFORMATION

The normal warranty applies.

NOTE

DTC is required with claim submission

Operation Number	Description	Flat Rate Time	Defect Code	Symptom Code	Template ID	Failed Part Number
1245A6	Reset the maintenance minder. Update the PGM-FI and TCU software. Replace the oil, the A/C control unit , and do a throttle position reset and PCM idle learn procedure.	1.1 hrs	03214	09107	A18147A	37805-5PA-A85

Operation Number	Description	Flat Rate Time	Defect Code	Symptom Code	Template ID	Failed Part Number
1245A6	Reset the maintenance minder. Update the PGM-FI and TCU software. Replace the oil, the A/C control unit , and do a throttle position reset and PCM idle learn procedure.	1.1 hrs	03214	09107	A18147B	37805-5PA-A85
A	Replace spark plugs.	0.3 hr				

Operation Number	Description	Flat Rate Time	Defect Code	Symptom Code	Template ID	Failed Part Number
1245A7	Reset the maintenance minder. Update the PGM-FI and TCU software. Replace the oil, and do the throttle position reset and PCM idle learn procedure. (A/C control unit replacement not necessary.)	0.9 hr	03214	09107	A18147C	37805-5PA-A85

Operation Number	Description	Flat Rate Time	Defect Code	Symptom Code	Template ID	Failed Part Number
1245A7	Reset the maintenance minder. Update the PGM-FI and TCU software. Replace the oil, and do the throttle position reset and PCM idle learn procedure. (A/C control unit replacement not necessary.)	0.9 hr	03214	09107	A18147D	37805-5PA-A85
A	Replace spark plugs.	0.3 hr				

Skill Level: Repair Technician

PARTS INFORMATION

Part Name	Part Number	Quantity
Drain Plug Washer (14 mm)	94109-14000	1
Auto Air Conditioner CPU Assembly (A/C Control Unit)	79600-TLA-A62	1

Part Name	Part Number	Quantity
Spark Plug	12290-5PA-A01	4

MATERIAL INFORMATION

Part Name	Part Number	Quantity
0W-20 Quarts	08798-9063	4

SOFTWARE INFORMATION

NOTE

Unnecessary or incorrect repairs resulting from a failure to update the i-HDS are not covered under warranty.

i-HDS Software Version: **1.004.053 or later**

J2534 Software Information:

- PC Application Version **1.1.0.6 or later**
- Database update **30-OCT-2018 or later**

Before beginning the repair, make sure that both the i-HDS and J2534 software are updated as listed above.

Do only the update listed in this service bulletin.

To update the software you must use the MVCI or the DST-i interface in conjunction with the J2534 Rewrite PC application on the i-HDS.

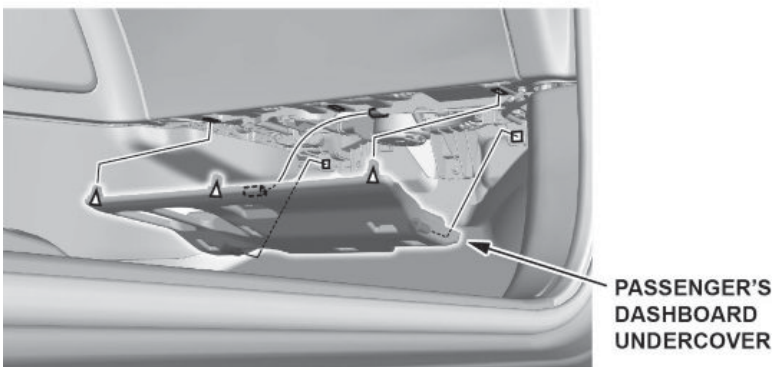
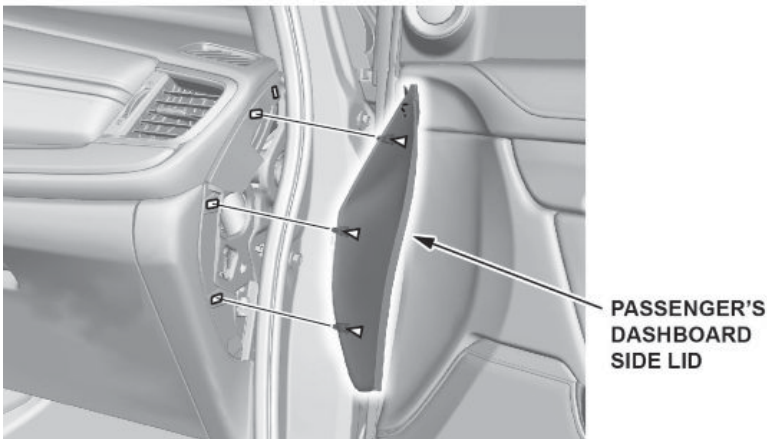
For more information about updating the i-HDS, the MVCI, and vehicle systems, refer to Service Bulletin 01-023, *Updating Control Units/Modules*.

Year/Model	Software System	Program ID (or later)	Program P/N (or later)
2017 CR-V (2WD)	PGM-FI	PA3060	37805-5PA-306
2017 CR-V (AWD)	PGM-FI	PA3080	37805-5PA-308
2018 CR-V (2WD)	PGM-FI	PAA690	37805-5PA-A69
2018 CR-V (AWD)	PGM-FI	PAA890	37805-5PA-A89
2017-18 CR-V (2WD)	TCU	RHA040	28101-5RH-A04
2017-18 CR-V (AWD)	TCU	RGA040	28101-5RG-A04

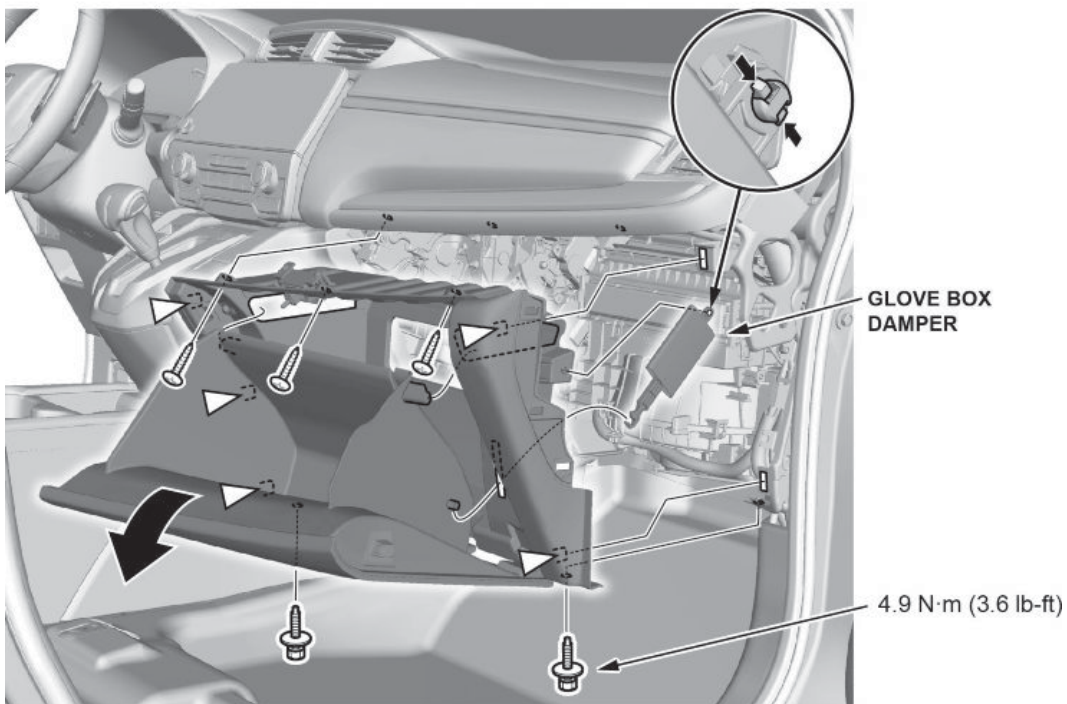
REPAIR PROCEDURE

If misfire or fuel system too rich DTCs are set, follow the procedure below.

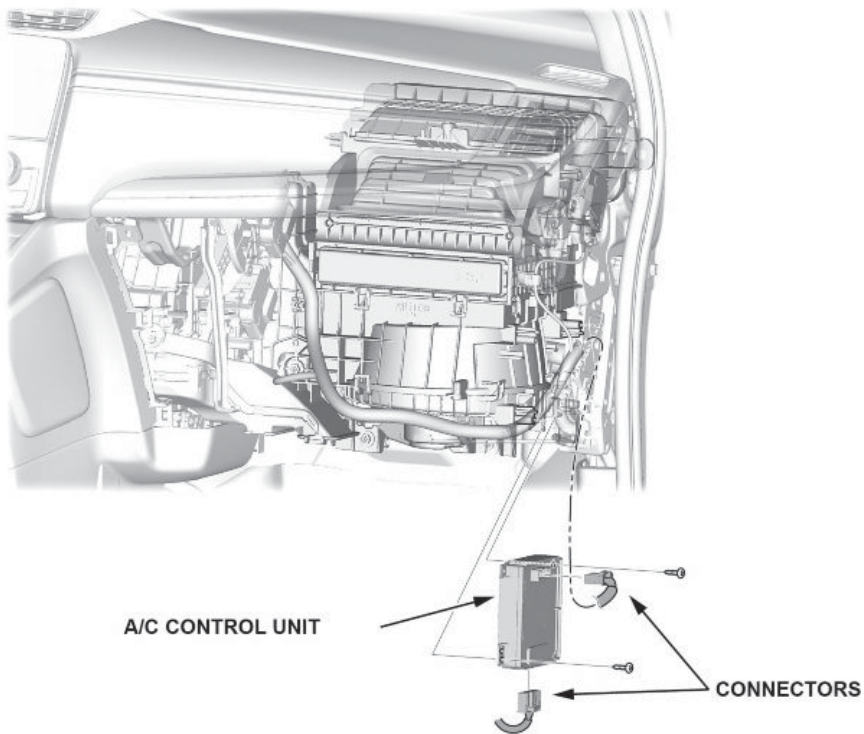
1. Reset the maintenance minder.
2. Drain and refill the engine oil. Do not replace the oil filter.
3. Connect the i-HDS and click on the **Body Electrical**. From there, select **HVAC** and open **Data List/Snapshot** to check if the A/C control unit has been replaced. One of three options will appear; **Not Complete**, **Completed**, or **Not Applicable**.
 - If it reads **Completed** or **Not Applicable**, skip to step 5.
 - If it reads **Not Complete**, go to step 4.
4. Replace the A/C control unit.
 - 4.1. Remove the passenger's dashboard side lid and the dashboard undercover.



4.2. Remove the glove box.



4.3. Remove the A/C control unit and replace with the new unit.



4.4. Install all parts in reverse order.

4.5. Run the self-diagnostics procedure with the i-HDS to make sure there are no problems in the system.

5. Check to see if the PGM-FI and TCU software has been installed.
 - If so, skip to step 8.
 - If not, go to step 6.
6. Update the PGM-FI and TCM software using the i-HDS J2534 rewrite software with the MVCI or DST-i. Refer to Service Bulletin 01-023, *Updating Control Units/Modules*.
7. Reset the throttle position learned values, then do the PCM idle learn procedure. Refer to the service information for additional instructions.

NOTE

For more information on the PCM idle learn procedure, see the *Tech2Tech*® video, "A Look at PCM Idle Learn".

8. Inspect the spark plugs.



- If the spark plugs are OK, the procedure is complete. Continue with normal troubleshooting.
 - If the spark plugs are fouled, go to step 9.
9. Replace the spark plugs per service information and check for stored DTCs.

NOTE

Make sure to write down the stored DTCs on the R.O.

- If the applicable DTCs do not return, the procedure is complete.
- If the applicable DTCs return, this bulletin does not apply. Continue with normal troubleshooting.

END