

December 21, 2018

Version 1

Product Update: 2016-18 Civic: Software Update with A/C Control Unit Replacement; DTC P0300, P0301, P0302, P0303, P0304, or P0172**AFFECTED VEHICLES**

Year	Model	Trim	VIN Range
2016	Civic	EX, EX-L, Touring (2-Door, 4-Door)	Check the iN VIN status for eligibility.
2017	Civic	EX, Touring, Si (2-Door, 4-Door)	Check the iN VIN status for eligibility.
2017	Civic	LX, LX With Honda Sensing, EX, Sport, EX-L, Sport Touring (5-Door)	Check the iN VIN status for eligibility.
2018	Civic	EX, Touring, Si (2-Door)	Check the iN VIN status for eligibility.
2018	Civic	EX, EX With Honda Sensing, EX-T, EX-A, Si (4-Door)	Check the iN VIN status for eligibility.
2018	Civic	LX, LX With Honda Sensing, EX, EX With Honda Sensing, Sport, EX-L, Sport Touring (5-Door)	Check the iN VIN status for eligibility.

BACKGROUND

Under certain circumstances, the vehicle may experience driveability issues which may result in DTCs P0300 (random misfire detected), P0301 (No. 1 cylinder misfire detected), P0302 (No. 2 cylinder misfire detected), P0303 (No. 3 cylinder misfire detected), P0304 (No. 4 cylinder misfire detected), or P0172 (fuel system too rich).

CUSTOMER NOTIFICATION

Owners of affected vehicles will be sent a notification of this campaign.

Do an iN VIN status inquiry to make sure the vehicle is shown as eligible.

Some vehicles affected by this campaign may be in your new or used vehicle inventory. Repair these vehicles before they are sold.

CUSTOMER INFORMATION: The information in this bulletin is intended for use only by skilled technicians who have the proper tools, equipment, and training to correctly and safely maintain your vehicle. These procedures should not be attempted by "do-it-yourselfers," and you should not assume this bulletin applies to your vehicle, or that your vehicle has the condition described. To determine whether this information applies, contact an authorized Honda automobile dealer.

CORRECTIVE ACTION

Reset the maintenance minder, and replace only the engine oil. Inspect and replace the A/C control unit. Clear any DTCs, and update the PGM-FI and TCU software with the latest version. Reset the throttle position learned values, and do the PCM idle learn procedure.

WARRANTY CLAIM INFORMATION

Use this warranty information if your dealership participates in the bulk oil program.

Operation Number	Description	Flat Rate Time	Defect Code	Symptom Code	Template ID	Failed Part Number
1245A8	Reset the maintenance minder. Update the PGM-FI and TCU software. Replace the engine oil, the A/C control unit, and do the throttle position reset and PCM idle learn procedure.	1.1 hrs	6DV00	B3P00	A18137A	37805-5BA-A51

Use this warranty information if your dealership does not participate in the bulk oil program.

Operation Number	Description	Flat Rate Time	Defect Code	Symptom Code	Template ID	Failed Part Number
1245A8	Reset the maintenance minder. Update the PGM-FI and TCU software. Replace the engine oil, the A/C control unit, and do the throttle position reset and PCM idle learn procedure.	1.1 hrs	6DV00	B3P00	A18137B	37805-5BA-A51

Use this warranty information if your dealership participates in the bulk oil program.

Operation Number	Description	Flat Rate Time	Defect Code	Symptom Code	Template ID	Failed Part Number
1245A9	Reset the maintenance minder. Update the PGM-FI and TCU software. Replace the engine oil, and do the throttle position reset and PCM idle learn procedure. (A/C control unit replacement not necessary)	0.9 hr	6DV00	B3P00	A18137C	37805-5BA-A51

Skill Level: Repair Technician

Use this warranty information if your dealership does not participate in the bulk oil program.

Operation Number	Description	Flat Rate Time	Defect Code	Symptom Code	Template ID	Failed Part Number
1245A9	Reset the maintenance minder. Update the PGM-FI and TCU software. Replace the engine oil, and do the throttle position reset and PCM idle learn procedure. (A/C control unit replacement not necessary)	0.9 hr	6DV00	B3P00	A18137D	37805-5BA-A51

Skill Level: Repair Technician

PARTS INFORMATION

NOTE

A/C control unit different based on transmission used in vehicle.

Part Name	Part Number	Quantity
Drain Plug Washer (14 mm)	94109-14000	1
Auto Air Conditioner CPU Assembly (A/C control unit) (Automatic Climate Control)	79610-TBA-A51	1
Auto Air Conditioner CPU Assembly (A/C control unit) (Dual-Zone Automatic Climate Control)	79610-TBC-A51	1

MATERIAL INFORMATION

Part Name	Part Number	Quantity
0W-20 (Bulk Oil Participants) (Gallons)	FS020-BAS-N0L	1
0W-20 (Non-Bulk Oil Participants) (Quarts)	08798-9063	4

SOFTWARE INFORMATION

NOTE

Unnecessary or incorrect repairs resulting from a failure to update the i-HDS are not covered under warranty.

i-HDS Software Version: **1.004.060 or later**

J2534 Software Information:

- PC Application Version **1.1.0.6 or later**
- Database update **12-DEC-2018 or later**

Before beginning the repair, make sure that both the i-HDS and J2534 software are updated as listed above.

Do only the update listed in this service bulletin.

To update the software, you must use the MVCI or the DST-i interface in conjunction with the J2534 Rewrite PC application on the i-HDS.

For more information about updating the i-HDS, the MVCI, and vehicle systems, refer to service bulletin 01-023, *Updating Control Units/Modules*.

Year/Model	Software System	Program ID (or later)	Program P/N (or later)
2016 Civic (EX 2-Door, 4-Door)	PGM-FI	AAA580	37805-5AA-A580
	TCU	5CGA080	28101-5CG-A080
2016 Civic (Touring 2-Door, 4-Door)	PGM-FI	AAA680	37805-5AA-A680
	TCU	5CGA080	28101-5CG-A080
2016 Civic (EX 2-Door, 4-Door)	PGM-FI	AAL590	37805-5AA-L590
	TCU	5CGA080	28101-5CG-A080
2016 Civic (Touring 2-Door, 4-Door)	PGM-FI	AAL690	37805-5AA-L690
	TCU	5CGA080	28101-5CG-A080
2017 Civic (EX 2-Door, 4-Door) (M/T)	PGM-FI	AAA070	37805-5AA-A070
2017 Civic (EX 2-Door, 4-Door) (CVT)	PGM-FI	AAA580	37805-5AA-A580
	TCU	5CGA080	28101-5CG-A080
2017 Civic (EX 2-Door, 4-Door)	PGM-FI	AAL590	37805-5AA-L590
	TCU	5CGA080	28101-5CG-A080
2017 Civic (Touring 2-Door, 4-Door)	PGM-FI	AAA680	37805-5AA-A680
	TCU	5CGA080	28101-5CG-A080
2017 Civic (Touring 2-Door, 4-Door)	PGM-FI	AAL690	37805-5AA-L690
	TCU	5CGA080	28101-5CG-A080
2017 Civic (Si 2-Door, 4-Door) (M/T)	PGM-FI	AMA050	37805-5AM-A050

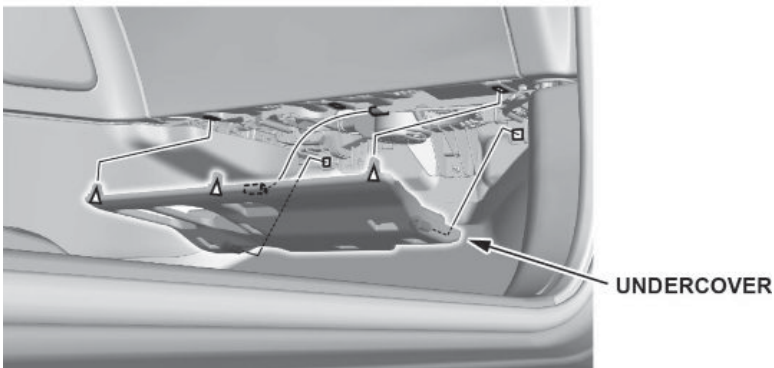
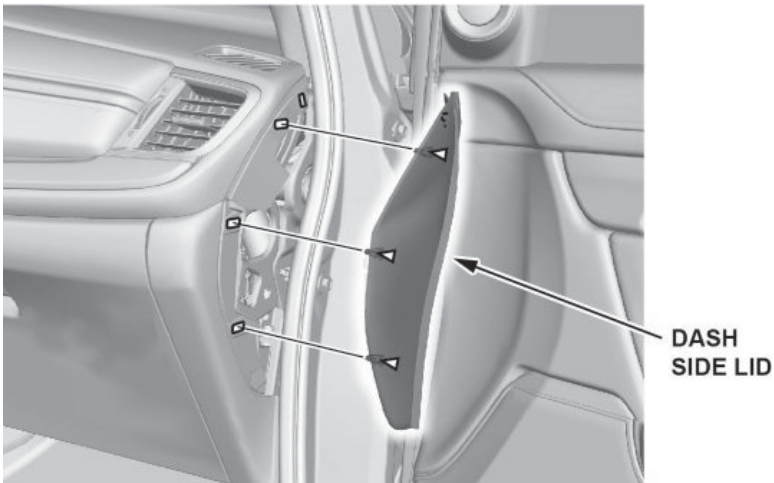
Year/Model	Software System	Program ID (or later)	Program P/N (or later)
2017 Civic (LX 5-Door) (M/T)	PGM-FI	AMA040	37805-5AN-A040
2017 Civic (LX 5-Door) (CVT)	PGM-FI	ANA540	37805-5AN-A540
	TCU	CKA040	28101-5CK-A040
2017 Civic (LX w/Honda Sensing 5-Door)	PGM-FI	ANA750	37805-5AN-A750
	TCU	CKA150	28101-5CK-A150
2017 Civic (LX 5-Door)	PGM-FI	ANL540	37805-5AN-L540
	TCU	CKA040	28101-5CK-A040
2017 Civic (EX, EX-L 5-Door)	PGM-FI	AN9540	37805-5AN-9540
	TCU	CKA040	28101-5CK-A040
2017 Civic (EX, EX-L 5-Door)	PGM-FI	ANB540	67805-5AN-B540
	TCU	CKA040	28101-5CK-A040
2017 Civic (Sport 5-Door) (M/T)	PGM-FI	ANA150	37805-5AN-A150
2017 Civic (Sport 5-Door) (CVT)	PGM-FI	ANA640	37805-5AN-A640
	TCU	CKC040	28101-5CK-C040
2017 Civic (Sport 5-Door)	PGM-FI	ANL640	37805-5AN-L640
	TCU	CKC040	28101-5CK-C040
2017 Civic (Sport Touring 5-Door)	PGM-FI	ANA850	37805-5AN-A850
	TCU	CKC150	28101-5CK-C150
2018 Civic (Si 2-Door, 4-Door) (M/T)	PGM-FI	AMA050	37805-5AM-A050
2018 Civic (EX 2-Door) (EX-T 4-Door) (M/T)	PGM-FI	AAA110	37805-5AA-A110
2018 Civic (EX 2-Door) (EX-T 4-Door) (CVT)	PGM-FI	AAA720	37805-5AA-A720
	TCU	GCA820	28101-5CG-A820
2018 Civic (EX 2-Door) (EX-T 4-Door)	PGM-FI	AAL720	37805-5AA-L720
	TCU	GCA820	28101-5CG-A820
2018 Civic (Touring 2-Door) (EX-T w/ Honda Sensing 4-Door)	PGM-FI	AAA820	37805-5AA-A820
	TCU	GCA820	28101-5CG-A820
2018 Civic (Touring 2-Door) (EX-T w/ Honda Sensing 4-Door)	PGM-FI	AAL820	37805-5AA-L820
	TCU	GCA820	28101-5CG-A820

Year/Model	Software System	Program ID (or later)	Program P/N (or later)
2018 Civic (EX-A 4-Door)	PGM-FI	BAA510	37805-5BA-A510
	TCU	GCA820	28101-5CG-A820
2018 Civic (EX-A 4-Door)	PGM-FI	BAL410	37805-5BA-L410
	TCU	GCA820	28101-5CG-A820
2018 Civic (EX w/ Honda Sensing 4-Door)	PGM-FI	AJA620	37805-5AJ-A620
	TCU	GCA820	28101-5CG-A820
2018 Civic (EX w/ Honda Sensing 4-Door)	PGM-FI	AJL620	37805-5AJ-L620
	TCU	GCA820	28101-5CG-A820
2018 Civic (EX Navigation 4-Door)	PGM-FI	AJA520	37805-5AJ-A520
	TCU	GCA820	28101-5CG-A820
2018 Civic (EX Navigation 4-Door)	PGM-FI	AJL520	37805-5AJ-L520
	TCU	GCA820	28101-5CG-A820
2018 Civic (LX 5-Door) (M/T)	PGM-FI	ANA040	37805-5AN-A040
2018 Civic (LX 5-Door) (CVT)	PGM-FI	ANA540	37805-5AN-A540
	TCU	CKA040	28101-5CK-A040
2018 Civic (LX 5-Door)	PGM-FI	ANL540	37805-5AN-L540
	TCU	CKA040	28101-5CK-A040
2018 Civic (LX w/ Honda Sensing 5-Door)	PGM-FI	ANA750	37805-5AN-A750
	TCU	CKA150	28101-5CK-A150
2018 Civic (LX w/ Honda Sensing 5-Door)	PGM-FI	ANL750	37805-5AN-L750
	TCU	CKA150	28101-5CK-A150
2018 Civic (EX, EX-L 5-Door)	PGM-FI	AN9540	37805-5AN-9540
	TCU	CKA040	28101-5CK-A040
2018 Civic (EX, EX-L 5-Door)	PGM-FI	ANB540	37805-5AN-B540
	TCU	CKA040	28101-5CK-A040
2018 Civic (EX w/ Honda Sensing 5-Door)	PGM-FI	ANA950	37805-5AN-A950
	TCU	CKA150	28101-5CK-A150
2018 Civic (EX w/ Honda Sensing 5-Door)	PGM-FI	ANA950	37805-5AN-L950
	TCU	CKA150	28101-5CK-A150
2018 Civic (Sport 5-Door) (M/T)	PGM-FI	ANA150	37805-5AN-A150

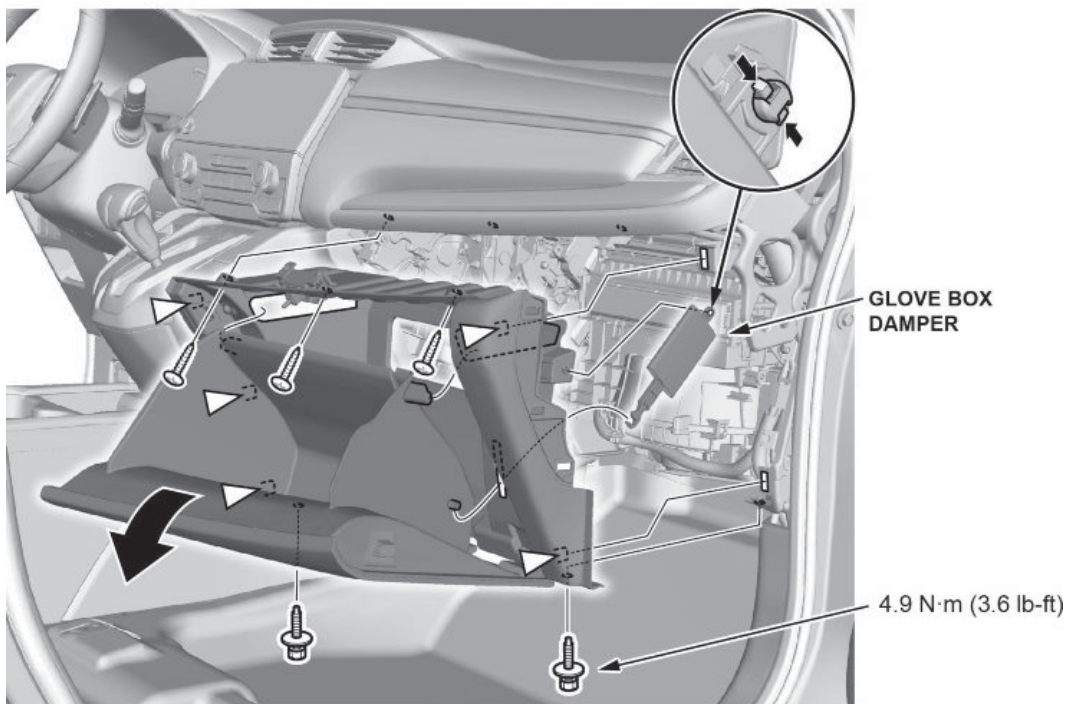
Year/Model	Software System	Program ID (or later)	Program P/N (or later)
2018 Civic (Sport 5-Door) (CVT)	PGM-FI	ANA640	37805-5AN-A640
	TCU	CKC040	28101-5CK-C040
2018 Civic (Sport 5-Door)	PGM-FI	ANL640	37805-5AN-L640
	TCU	CKC040	28101-5CK-C040
2018 Civic (Sport Touring 5-Door)	PGM-FI	ANA950	37805-5AN-A950
	TCU	CKC150	28101-5CK-C150
2018 Civic (Sport Touring 5-Door)	PGM-FI	ANL850	37805-5AN-L850
	TCU	CKC150	28101-5CK-C150

REPAIR PROCEDURE

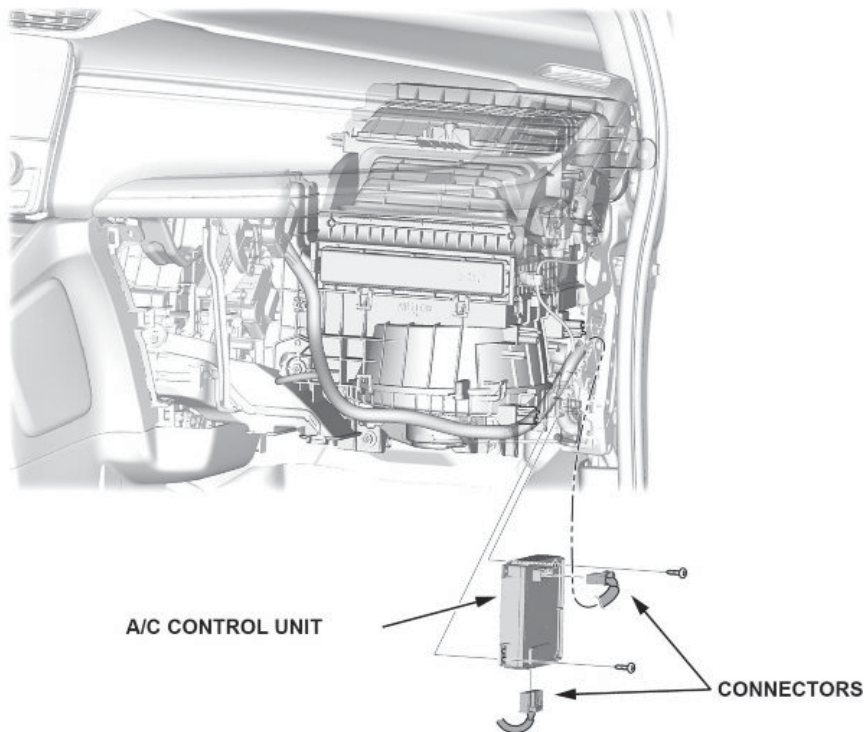
1. Reset the maintenance minder.
2. Drain and refill the engine oil. Do not replace the oil filter.
3. Connect the i-HDS and click on the **Body Electrical**. From there, select **HVAC** and open **Data List/Snapshot** to check if the A/C control unit has been replaced. One of three options will appear; **Not Complete**, **Completed**, or **Not Applicable**.
 - If it reads **Completed** or **Not Applicable**, skip to step 5.
 - If it reads **Not Complete**, go to step 4.
4. Replace the A/C control unit.
 - 4.1. Remove the dash side lid and the undercover.



4.2. Remove the glove box.



4.3. Remove and replace the A/C control unit.



4.4. Install all parts in the reverse order of removal.

4.5. Run the HVAC self-diagnostics procedure with the i-HDS to make sure there are no problems in the system.

5. Use the i-HDS to update the PGM-FI and TCU software.
6. Update the PGM-FI and TCM software using the i-HDS J2534 rewrite software with the MVCI or DST-i. Refer to Service Bulletin 01-023, *Updating Control Units/Modules*.
7. Reset the throttle position learned values see then do the PCM idle learn procedure. Refer to the service information for additional instructions.

NOTE

For more information on the PCM idle learn procedure, see *Tech2Tech* video, "A Look at PCM Idle Learn".

END