

Subject <b>Exhaust Manifold Stud and Nut Not Missing, DO NOT attempt to add one.</b>		Market USA
Service Category Engine/Hybrid System	Section Intake/Exhaust	
Applicability Camry, Avalon (2GR-FKS)		

**APPLICABLE VEHICLES**

2018-2019	Camry	2019	Avalon
-----------	-------	------	--------

**CONDITION**

On 2018-2019 model year Camry and 2019 model year Avalon, equipped with the 2GR-FKS engine, technicians may observe that the bank 1 (rear) exhaust manifold may be “missing” a stud and nut. The repair manual shows that, as per design intent, the exhaust manifold is NOT missing a stud and nut.

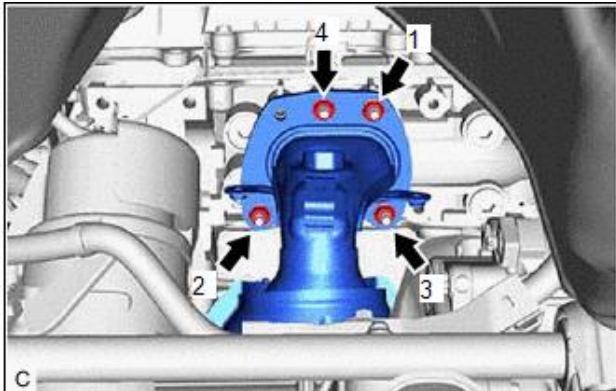


Figure 1. Repair manual – Confirms part only has 4 bolts.



Figure 2. Vehicle view – Bolt from factory not included, as per intent.

**RECOMMENDATIONS**

**DO NOT ADD** a stud and nut to the location shown above, as this is per design intent.

**LINK REFERENCES**

This Tech Tip does not contain any link references