

2019 IS300/IS350 Pre-Delivery Service (PDS)

Service Category General

Section Pre-Delivery Service

Market USA



Applicability

YEAR(S)	MODEL(S)	ADDITIONAL INFORMATION
2019	IS300, IS350	

Introduction

This bulletin contains the vehicle specific pre-delivery services for 2019 model year IS300 and IS350 vehicles. Additionally, refer to the applicable Pre-Delivery Service (PDS) Check Sheet for services to be performed.

Warranty Information

OP CODE	DESCRIPTION	TIME	OFF	T1	T2
N/A	Not Applicable to Warranty	-	-	-	-

Procedures

- Front License Plate and Mounting Bracket Installation 2
- D/C Cut Fuse Installation 4
- Front Emergency Towing Eyelet Removal 5
- Towing Eyelet Hole Cover Installation 6
- Front Wheel Opening Extension Pad Installation 6

2019 IS300/IS350 Pre-Delivery Service (PDS)

Front License Plate and Mounting Bracket Installation

The front license plate mounting bracket and two self-tapping screws for the 2019 model year IS300 and IS350 are stored in the luggage compartment of the vehicle at the assembly plant. For states that require a front license plate, install the bracket and bolts on the bumper cover during PDS according to the following procedure.

1. Align holes "A" of the mounting bracket with the dimples on the front bumper cover. Mark the location of holes "B" on the front bumper cover.

NOTE

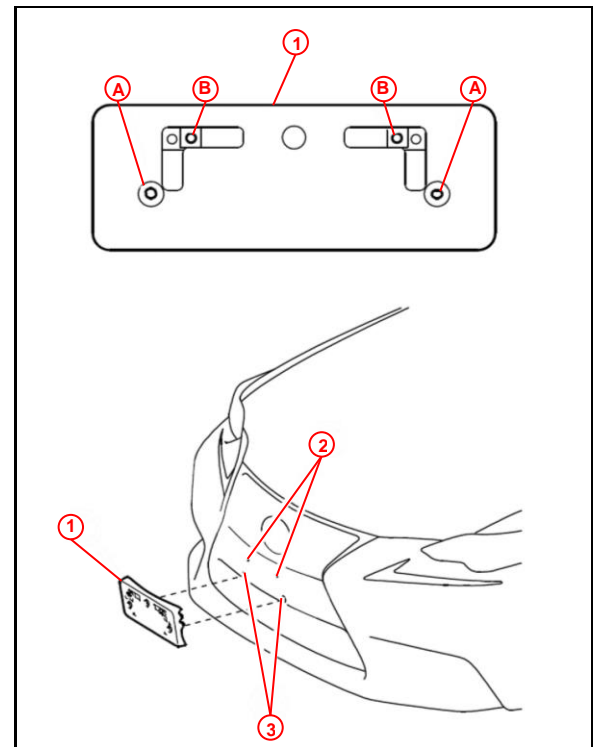
- Holes "A" are used to install the mounting bracket onto the radiator grille.
- Holes "B" are used to install the front license plate onto the mounting bracket.

2. Drill two relief holes with a diameter of 10 mm (0.39 in.) at the marks on the front bumper cover (holes "B" location) to prevent the license plate retaining bolt ends from contacting the cover.

NOTICE

Do NOT drill into the dimples on the front bumper cover.

Figure 1.



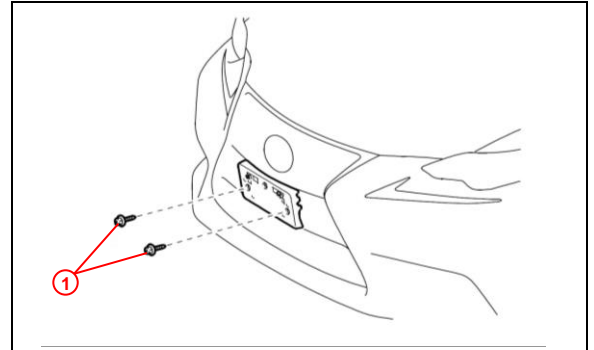
1	Mounting Bracket
2	Mark and Drill Holes
3	Dimple

2019 IS300/IS350 Pre-Delivery Service (PDS)

Front License Plate and Mounting Bracket Installation (continued)

3. Install the mounting bracket to the front bumper cover at holes "A" using the two supplied self-tapping screws.

Figure 2.



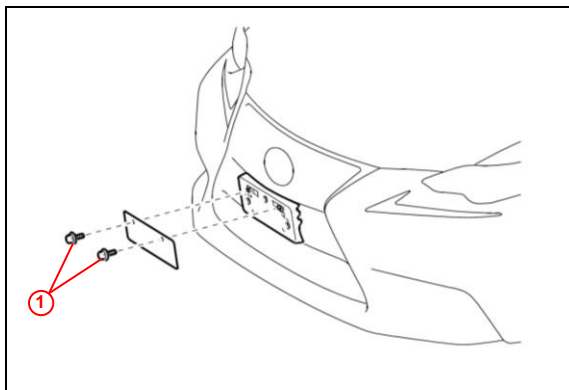
1	Self-tapping Screw
----------	---------------------------

4. Install the front license plate to the mounting bracket at holes "B" using two non-corroding bolts with the following dimensions:

Nominal Length: 15.0 mm (0.59 in.)

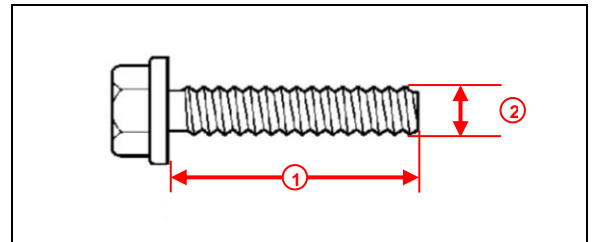
Diameter: 6.0 mm (0.24 in.)

Figure 3.



2	Bolt
----------	-------------

Figure 4.



1	Nominal Length
2	Diameter

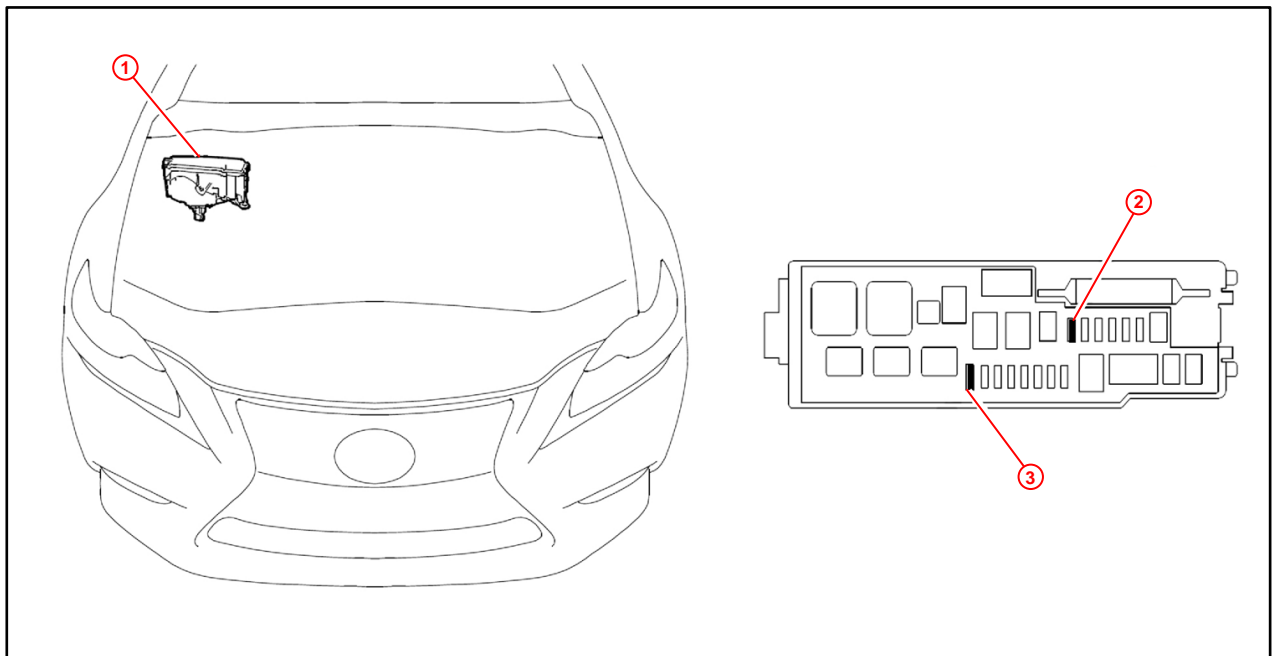
2019 IS300/IS350 Pre-Delivery Service (PDS)

D/C Cut Fuse Installation

To minimize battery discharge during transportation and storage, the D/C cut fuse (30A) has been removed at the assembly plant and temporarily stored in the blank space of the relay block in the engine compartment.

During PDS, remove the D/C cut fuse (30A) from the blank space of the relay block in the engine compartment and install it in the location shown.

Figure 5.



1	Relay Block
2	Install D/C Cut Fuse (30A) (Original Location)

3	Remove This D/C Cut Fuse
----------	---------------------------------

NOTE

- Removing the D/C cut fuse cuts OFF power sources relating to the DOME and MPX-B.
- While the vehicle is stored at the dealership, disconnect the negative (-) battery terminal to prevent battery discharge. Refer to Service Bulletin No. [L-SB-0108-17](#), *Battery Maintenance During PDS*.

2019 IS300/IS350 Pre-Delivery Service (PDS)

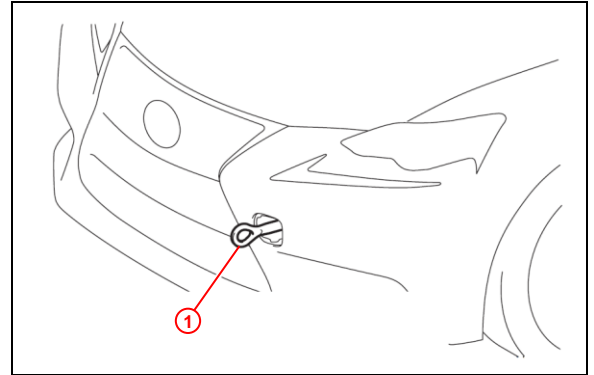
Front Emergency Towing Eyelet Removal

1. Remove the front emergency towing eyelets from the front bumper by turning them counterclockwise.

HINT

If it is difficult to loosen the front emergency towing eyelets, use a steel bar.

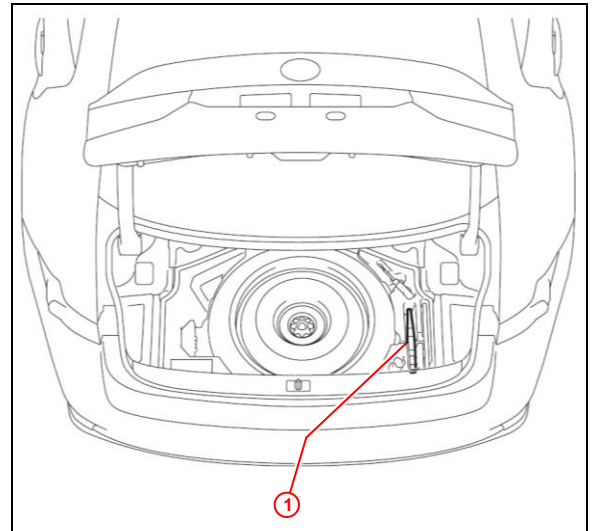
Figure 6.



1	Front Emergency Towing Eyelet
----------	--------------------------------------

2. Place the removed front emergency towing eyelet into the tool tray in the luggage compartment.

Figure 7.



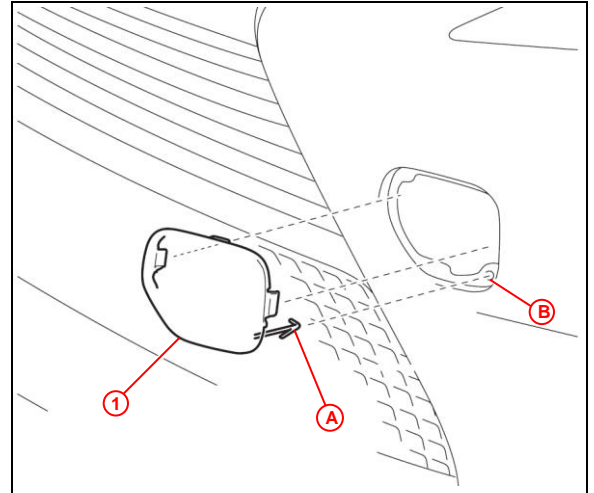
1	Front Emergency Towing Eyelet
----------	--------------------------------------

2019 IS300/IS350 Pre-Delivery Service (PDS)

Front Emergency Towing Eyelet Hole Cover Installation

1. Install the front emergency towing eyelet hole covers, which are stored in the glove compartment, onto the front bumper.
 - A. Insert the arrow-shaped tab of the front emergency towing eyelet hole cover "A" into the eyelet hole tab "B" as shown.
 - B. Install the front emergency towing eyelet hole cover to the hole of the front bumper.

Figure 8.



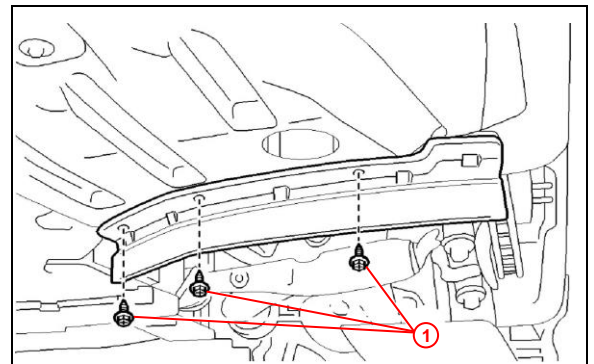
A	Arrow-Shaped Tab
B	Eyelet Hole Tab
1	Front Emergency Towing Eyelet Hole Cover

Front Wheel Opening Extension Pad Installation

The front wheel opening extension pad set (right and left front wheel opening extension pads, six self-tapping screws) is loaded in the luggage compartment at the assembly plant to avoid damage in transit.

Install the left and right front wheel opening extension pads with the supplied self-tapping screws.

Figure 9.



1	Self-tapping Screw
----------	--------------------