

Whine Noise From Rear of Vehicle

Service Category Drivetrain

Section Axle/Differential

Market USA

Toyota Supports
 ASE Certification 

Applicability

YEAR(S)	MODEL(S)	ADDITIONAL INFORMATION
2016 - 2018	Tacoma	Body Type(s): D CAB

REVISION NOTICE

August 8, 2018 Rev1:

- **Applicability has been updated to include 2018 model year Tacoma vehicles.**
- **The Production Change Information section has been added and the Parts Information section has been updated.**

Any previous printed versions of this bulletin should be discarded.

Introduction

Some 2016 – 2018 model year Tacoma Double Cab 4WD vehicles equipped with a BD22 rear differential may exhibit a whine noise from the rear of the vehicle. This condition may occur while driving around 50 mph at constant speed, slight acceleration, or slight deceleration and may be caused by rear differential vibration transferring through the chassis and body. Follow the Repair Procedure in this bulletin to address this condition.

Production Change Information

This bulletin applies to vehicles produced **BEFORE** the Production Change Effective VINs shown below.

MODEL	DRIVETRAIN	PLANT	PRODUCTION CHANGE EFFECTIVE VIN
Tacoma	4WD	TMMTX	5TFCZ5AN#HX138107
			5TFDZ5BN#HX033284
		TMMBC	3TMCZ5AN#JM145307
			3TMDZ5BN#JM042762

Whine Noise From Rear of Vehicle

Warranty Information

OP CODE	DESCRIPTION	TIME	OFFP	T1	T2
SU1701	Install Pad and Dynamic Damper	1.0	51229-04010	91	99
Combo A	R & R Leaf Spring Assy (Both Sides)*	1.0	48210-04710 48220-04350 48210-04840 48220-04480		

*ONLY applicable to long wheelbase.

APPLICABLE WARRANTY

- This repair is covered under the Toyota Basic Warranty. This warranty is in effect for 36 months or 36,000 miles, whichever occurs first, from the vehicle's in-service date.
- Warranty application is limited to occurrence of the specified condition described in this bulletin.

Parts Information

YEAR	WHEELBASE	T/M	GRADE	PART NUMBER		PART NAME	QTY
				PREVIOUS	NEW		
2016 – 2017	Long (127.4 in.)	MT	TRD Pro	48210-04810	48210-04850	Spring Assy, Rear RH	1
				48220-04450	48220-04490	Spring Assy, Rear LH	1
			All Except TRD Pro	48210-04710	48210-04600	Spring Assy, Rear RH	1
				48220-04350	48220-04240	Spring Assy, Rear LH	1
		AT	TRD Off-road, TRD Pro	48210-04840	48210-04870	Spring Assy, Rear RH	1
				48220-04480	48220-04510	Spring Assy, Rear LH	1
		MT	All	N/A	51229-04010	Damper, Frame Dynamic	2
		AT	TRD Off-road, TRD Pro				
		MT	All				
		AT	TRD Off-road, TRD Pro		62555-04070	Pad, Pillar, No.5	2
MT	All	52216-04040	52216-04010	Stopper, Cab Mounting Cushion	2		
AT	TRD Off-road, TRD Pro	52216-04020					

Whine Noise From Rear of Vehicle

Parts Information (continued)

YEAR	WHEELBASE	T/M	GRADE	PART NUMBER		PART NAME	QTY
				PREVIOUS	NEW		
2016 – 2017	Super Long (140.6 in.)	MT	All	N/A	51229-04010	Damper, Frame Dynamic	2
		AT	TRD Off-road, TRD Pro				
		MT	All		62555-04070	Pad, Pillar, No.5	2
		AT	TRD Off-road, TRD Pro				
		MT	All	52216-04040	52216-04010	Stopper, Cab Mounting Cushion	2
		AT	TRD Off-road, TRD Pro	52216-04020			
2018	Long/Super Long	MT	All	N/A	51229-04010	Damper, Frame Dynamic	2
		AT	TRD Off-road, TRD Pro				
		MT	All	52216-04040	52216-04010	Stopper, Cab Mounting Cushion	2
		AT	TRD Off-road, TRD pro	52216-04020			

Repair Procedure

1. Confirm the condition exists.

Does the vehicle exhibit a whine noise from the rear of the vehicle while driving around 50 mph at constant speed, slight acceleration, or slight deceleration?

- **YES** — Continue to step 2.
- **NO** — This bulletin does NOT apply. Continue diagnosis using the applicable Repair Manual.

Whine Noise From Rear of Vehicle

Repair Procedure (continued)

2. Install the No. 5 pillar pad to the C pillar.
 - A. Fold down the seat and seat back for adequate space during the repair.

Figure 1.



- B. Remove the RH and LH luggage compartment side tray, rear door scuff plate, rear door weatherstrip, and the quarter trim lower panel.

Refer to TIS, applicable model and model year Repair Manual:

- [2016](#) / [2017](#) / [2018](#) Tacoma:
Vehicle Interior – Interior Panels/Trim – “Interior: Roof Headlining (for Double Cab): Removal”

- C. Remove the rear seat outer belt assembly.

Refer to TIS, applicable model and model year Repair Manual:

- [2016](#) / [2017](#) / [2018](#) Tacoma:
Vehicle Interior – Seat Belt – “Seat Belt: Rear Seat Outer Belt Assembly (for Double Cab): Removal”

Whine Noise From Rear of Vehicle

Repair Procedure (continued)

- D. Install the No. 5 pillar pad on the bottom of the C pillar to the RH and LH sides.

NOTE

Hold the belt with tape to prevent the belt from retracting.

Figure 2. Installation Area



Figure 3. No. 5 Pillar Pad Installed



- E. Reinstall ALL components.

Refer to TIS, applicable model and model year Repair Manual:

- [2016](#) / [2017](#) / [2018](#) Tacoma:
Vehicle Interior – Interior Panels/Trim – “Interior Roof Headlining (for Double Cab): Installation”
- [2016](#) / [2017](#) / [2018](#) Tacoma:
Vehicle Interior – Seat Belt – “Seat Belt: Rear Seat Outer Belt Assembly (for Double Cab): Installation”

Whine Noise From Rear of Vehicle

Repair Procedure (continued)

F. Torque the seat belt bolts.

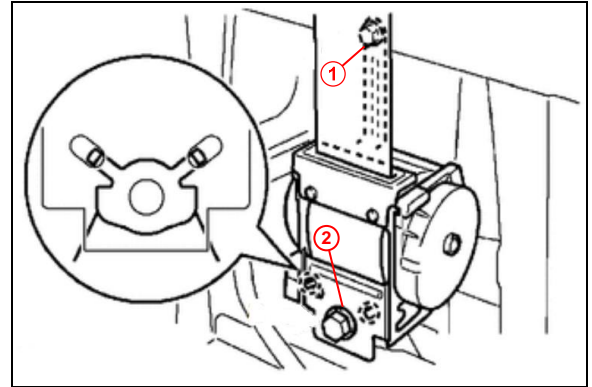
Bolt A

Torque: 12.5 N*m (127 kgf*cm, 9 ft*lbf)

Bolt B

Torque: 42 N*m (428 kgf*cm, 31 ft*lbf)

Figure 4.



1	Bolt A
2	Bolt B

3. Install the frame dynamic damper.

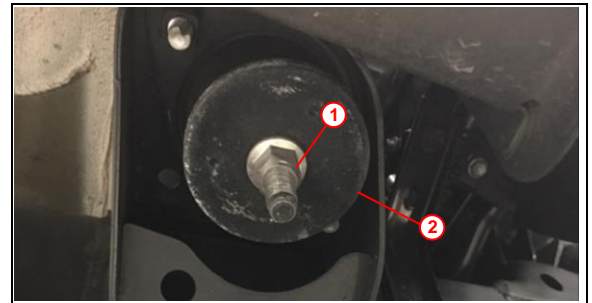
A. Remove the No. 3 nut cab mount (17 mm) and LH and RH cab mounting cushion stopper.

Figure 5.



1	No. 3 Cab Mount
----------	------------------------

Figure 6.



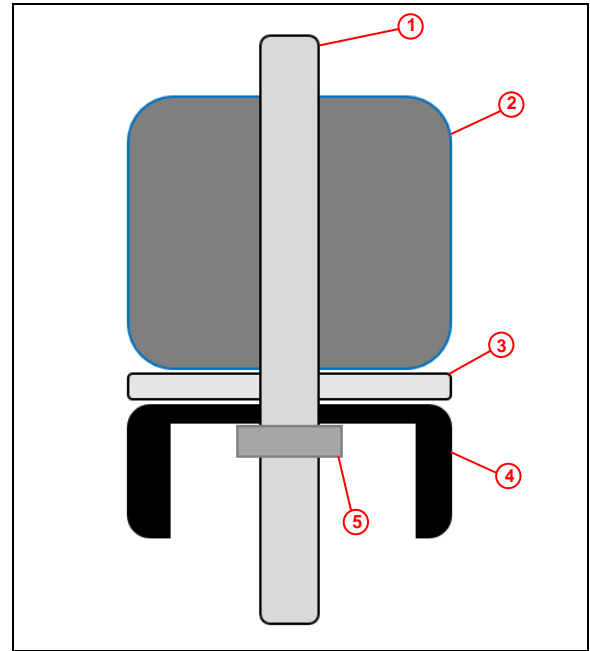
1	No. 3 Nut Cab Mount
2	Cab Mounting Cushion Stopper

Whine Noise From Rear of Vehicle

Repair Procedure (continued)

- B. Install the NEW cab mounting cushion stopper and the NEW frame dynamic damper to the RH and LH cab mount.
- C. Retighten the cab mount nut.
Torque: 45 N*m (459 kgf*cm, 33 ft*lbf)

Figure 7.



1	Body Mounting Bolt
2	No. 3 Cushion Sub-assy Cab Mounting
3	Cab Mounting Cushion Stopper
4	Frame Dynamic Damper
5	Lock Nut

- 4. Is the vehicle long wheelbase?
 - **YES** — Continue to substep 4A to replace the rear spring assembly.
 - **NO** — Rear spring assembly replacement is NOT required for super long wheelbase. Go to step 5.
- A. Remove the LH and RH rear spring assembly.
Refer to TIS, applicable model and model year Repair Manual:
 - [2016](#) / [2017](#) / [2018](#) Tacoma:
Suspension – Rear Suspension – “Suspension: Rear Leaf Spring: Removal”
- B. Install the NEW LH and RH rear spring assembly.
Refer to TIS, applicable model and model year Repair Manual:
 - [2016](#) / [2017](#) / [2018](#) Tacoma:
Suspension – Rear Suspension – “Suspension: Rear Leaf Spring: Installation”
- 5. Warm up and test-drive the vehicle to confirm the condition is addressed.