



Technical Journal

TITLE:

**Front brake pads, early or uneven wear on right side on
16" and 16.5" brakes**

REF NO: TJ 33250.4.1	ISSUING DEPARTMENT: Technical Service	CAR MARKET: United States and Canada	
PARTNER: 3 US 7510 Volvo Car USA		ISSUE DATE: 2018-07-24	STATUS DATE: 2018-07-27
FUNC GROUP: 5115	FUNC DESC: Brake pad; brake pad kit	Page 1 of 7	

“Right first time in Time”

Attachment

File Name	File Size
TJ-509075.pdf	0.7612 MB

Vehicle Type

Type	Eng	Eng Desc	Sales	Body	Gear	Steer	Model Year	Plant	Chassis range	Struc Week Range
124							2007-2016		-	200605-999952
134							2011-2018		-	201020-999952
135							2008-2010		-	200720-999952
138							2016-9999		-	201345-999952
155							2015-2018		-	201035-999952

CSC Customer Symptom Codes

Code	Description
B6	Brakes/Unusual noise/Front

VST Operation Number

VST Operation Number	Description
98704-2	Brake shield replace acc. to TJ33250



DTC Diagnostic Trouble Codes

Rows beginning with * are modified

Note! If using a printed copy of this Technical Journal, first check for the latest online version.

Text

DESCRIPTION:

*If early or uneven wear occur on the right side front brake pads (mainly inner pad), then follow advice under Service.

Concerned vehicles are equipped with 16" and 16.5" FNR front brake system, and can be identified with VDN code RE01 or RE03.

SERVICE:

*If symptom is confirmed and the car is equipped with 16" and 16.5" FNR front brake system (VDN code RE01 or RE03) then replace brake dust shield PN 32217664 on the right side.

Note: Do not replace the left side dust shield.

Note: Also replace brake pads and if front brake disc has been damaged by scoring marks, then also replace the brake discs.

VEHICLE REPORT:

Yes, please submit a Vehicle Report if the service solution described in this TJ has no effect. Use concern area "Vehicle Report" and sub concern area "Support not needed", use function group 5115.

To view TJ attachment continue to next page. This TJ has one attachment.



Volvo Car Customer Service

TJ Instruction VCC-509075-1

Title	Brake shield	Page	1 (5)
Action	Product fix	Operation number:	98704-2

Issue	Date	Reason
1	2017-12	First issue

Materials

Materials	Qty.	Part No.	Notes
Protecting plate	1.0	32217664	

Affected vehicles

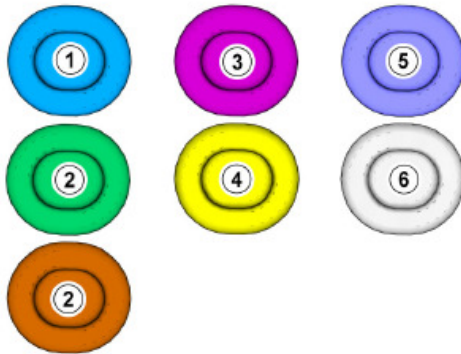
Model year	Model
2011, 2012, 2013, 2014, 2015, 2016, 2017	S60 (11-)
2014, 2015, 2016, 2017	S60L
2007, 2008, 2009, 2010, 2011, 2012, 2013, 2014, 2015, 2016	S80 (07-)
2011, 2012, 2013, 2014, 2015, 2016, 2017	V60
2008, 2009, 2010, 2011, 2012, 2013, 2014, 2015, 2016	V70 (08-)

Removal

Note! Removal steps in this procedure may contain installation details.

Color symbols

Note! Removal steps in this procedure may contain installation details.

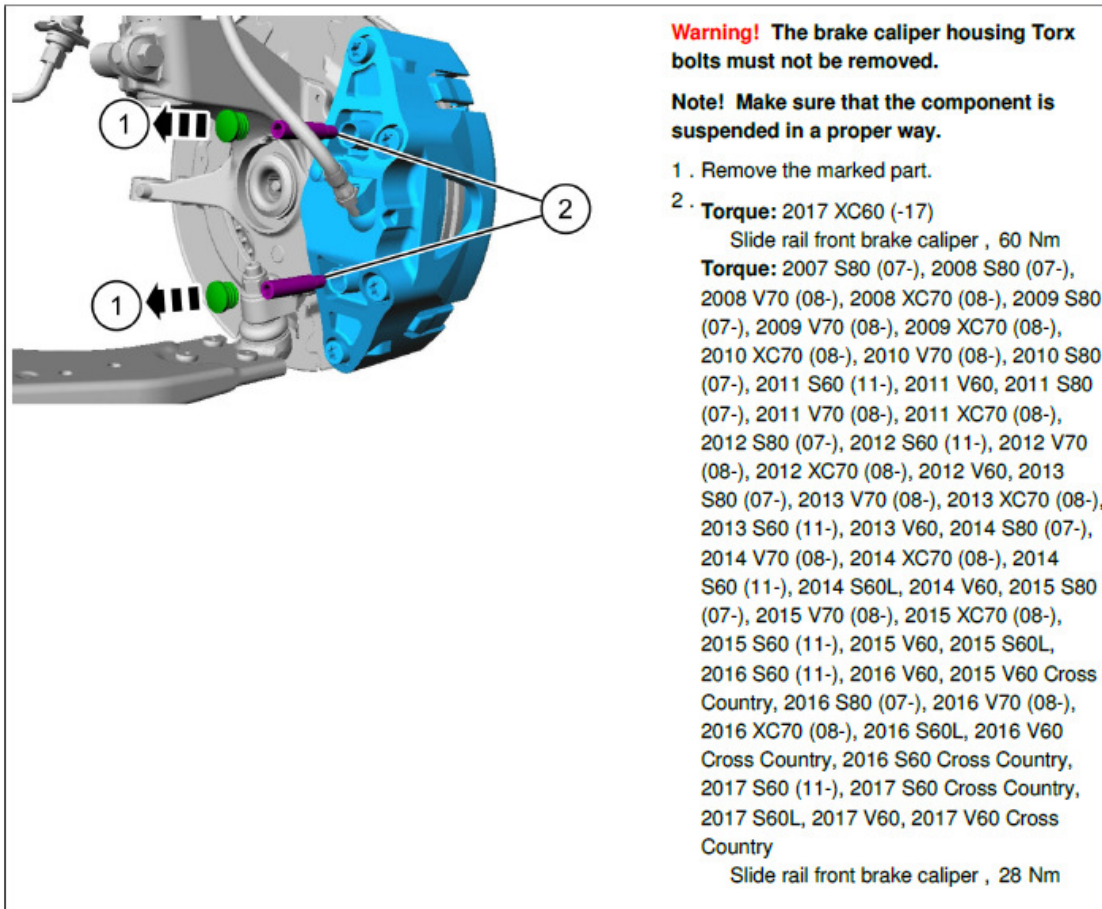
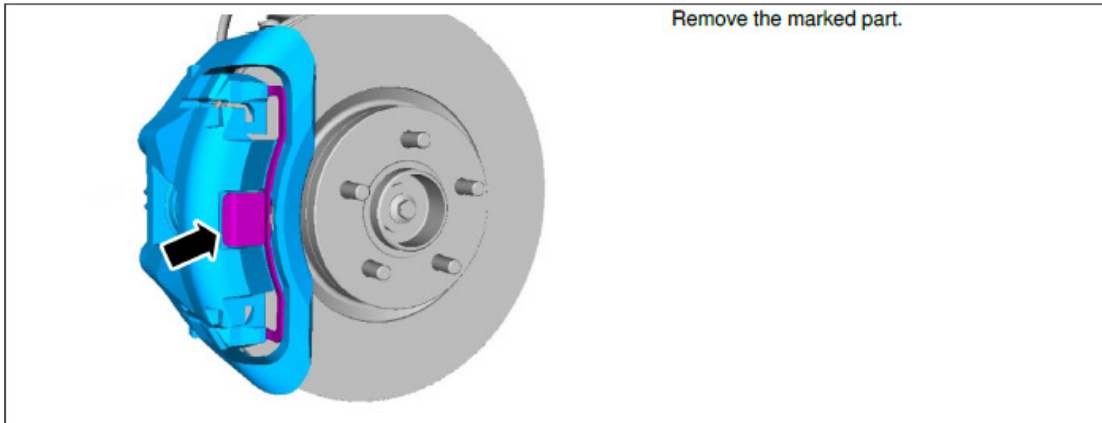


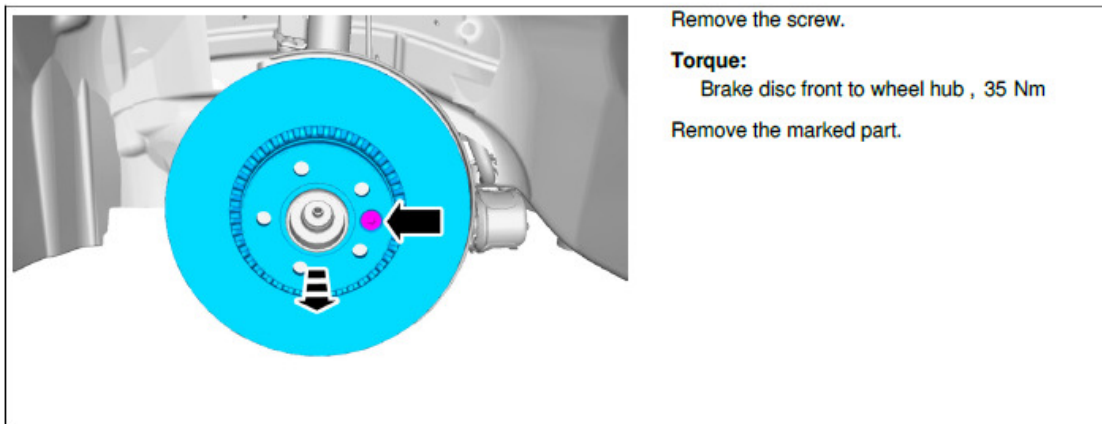
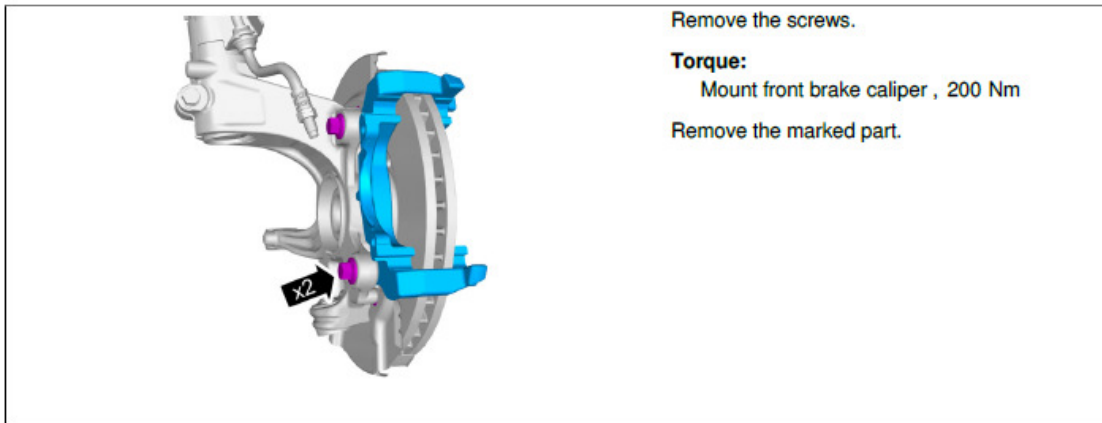
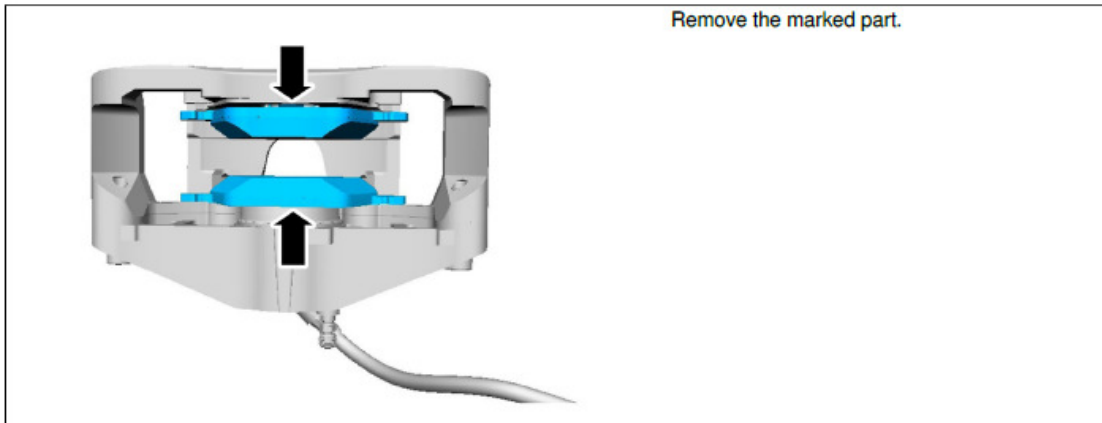
Note! This colour chart displays (in colour print and electronic version) the importance of the different colours used in the images of the method steps.

- 1 . Used for focused component, the component with which you will do something.
- 2 . Used as extra colors when you need to show or differentiate additional parts.
- 3 . Used for attachments that are to be removed/installed. May be screws, clips, connectors, etc.
- 4 . Used when the component is not fully removed from the vehicle but only hung to the side.
- 5 . Used for standard tools and special tools.
- 6 . Used as background color for vehicle components.

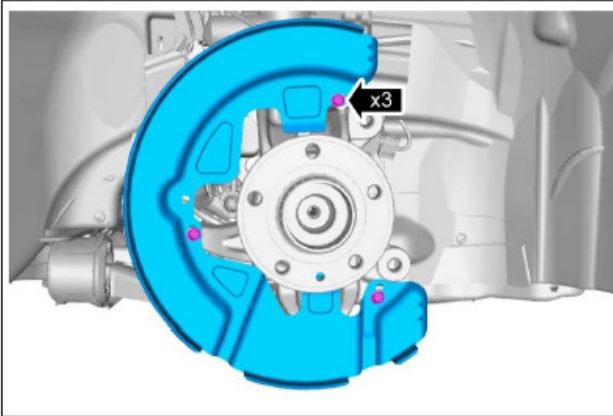
On both sides.

Remove the front wheels , refer to:
 Removal, replacement and installation
 7 - Springs and wheels
 77 - Wheels, tyres, hubs
 771 - wheel and wheel trim





Applies to the right-hand side



Remove the screws.

Torque:

M6 , 10 Nm

Remove the marked part.
The part is not to be reused.

Installation

To install, reverse the removal procedure.