



LTB01148NAS3

TECHNICAL BULLETIN

20 JUL 2018

© Jaguar Land Rover North America, LLC

NOTE: The information in Technical Bulletins is intended for use by trained, professional Technicians with the knowledge, tools, and equipment required to do the job properly and safely. It informs these Technicians of conditions that may occur on some vehicles, or provides information that could assist in proper vehicle service. The procedures should not be performed by 'do-it-yourselfers'. If you are not a Retailer, do not assume that a condition described affects your vehicle. Contact an authorized Land Rover service facility to determine whether this bulletin applies to a specific vehicle.

INFORMATION

This reissue replaces all previous versions. Please destroy all previous versions.

Changes are highlighted in blue

SECTION:

204-02: Rear suspension

SUBJECT/CONCERN:

Knocking Noise From The Rear Of The Vehicle

AFFECTED VEHICLE RANGE:

MODEL:	MODEL YEAR:	VIN:	ASSEMBLY PLANT:	APPLICABILITY:

MODEL:	MODEL YEAR:	VIN:	ASSEMBLY PLANT:	APPLICABILITY:
Discovery (LR)	2017	000532-042732	Solihull	Vehicles Without: Adaptive Damping

MARKETS:

NORTH AMERICA

CONDITION SUMMARY:

SITUATION:

A knocking noise may be evident from the rear of the vehicle.

CAUSE:

This may be caused by a cracked rear left and/or right shock absorber top mount.

ACTION:

Should a customer express this concern, follow the appropriate Workshop Procedure below.

PARTS:

PART NUMBER	DESCRIPTION	QUANTITY
LR095866	Mount	2
LR038196	Bolt	2
LR034277	Nut	2
LR034227	Nut	6
LR034276	Gasket	2
LR116654	Nut	2

TOOLS:

Refer to Workshop Manual for any required special tools.

WARRANTY:**NOTES:**

- Repair procedures are under constant review, and therefore times are subject to change; those quoted here must be taken as guidance only. Always refer to JLR claims submission system to obtain the latest repair time.
- The JLR Claims Submission System requires the use of causal part numbers. Labor only claims must show the causal part number with a quantity of zero.

DESCRIPTION	SRO	TIME (HOURS)	CONDITION CODE	CAUSAL PART
Top mount - Rear shock absorber - Pair - Inspect	64.30.51.01	0.6	04	LR095866
Top mount - Rear shock absorber - Without 7 seats - Pair - Replace	64.30.51	2.1	04	LR095866
Top mount - Rear shock absorber - With 7 seats - Pair - Replace	64.30.51.50	1.7	04	LR095866

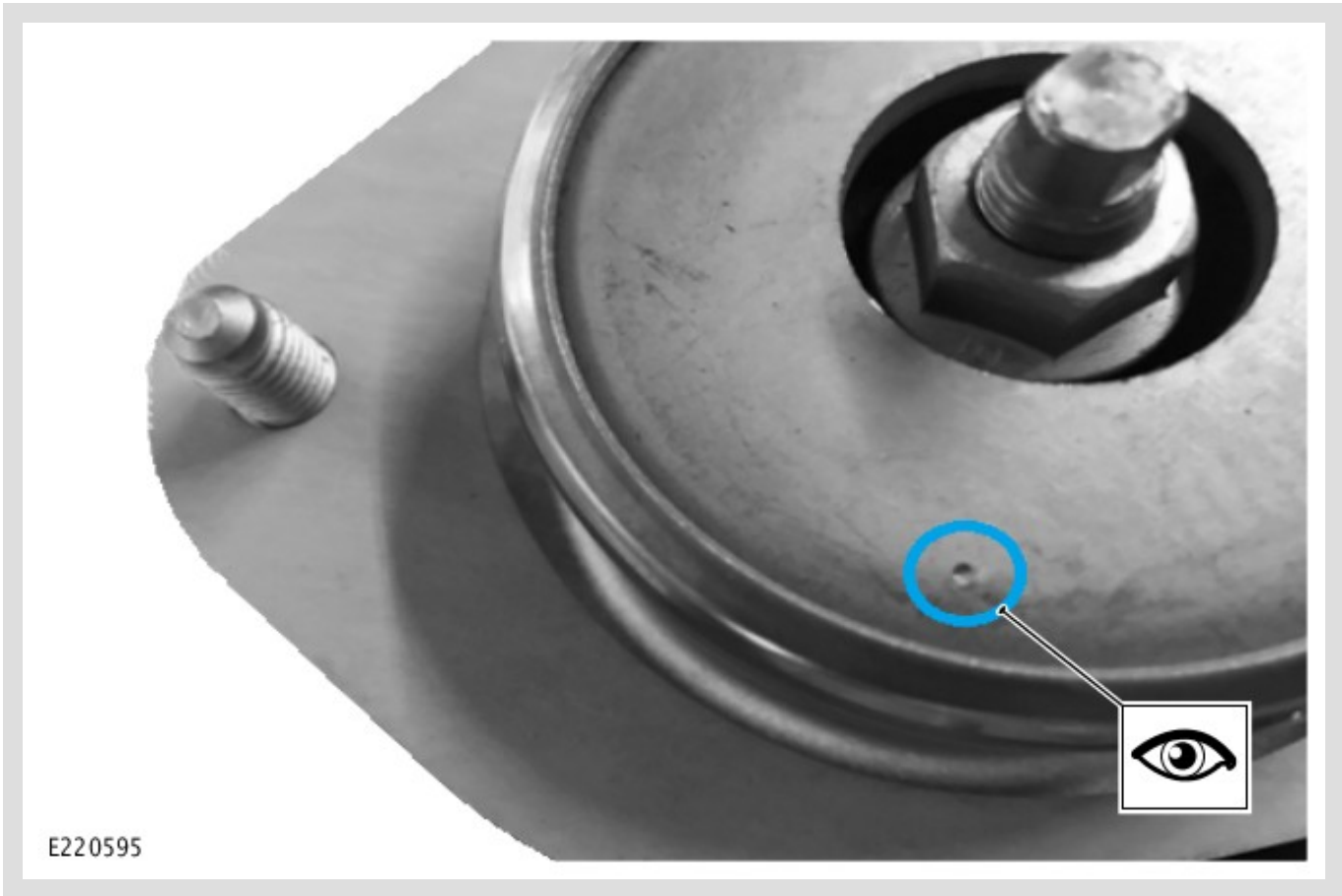
NOTE:

Normal Warranty procedures apply.

SERVICE INFORMATION:**CAUTION:**

Do not install a part that does not have a 'dot' punch mark.

1



The new top mount is identified with a 'dot' punch mark on the top plate.

WORKSHOP PROCEDURE: VEHICLES WITH: 7 SEATS

1

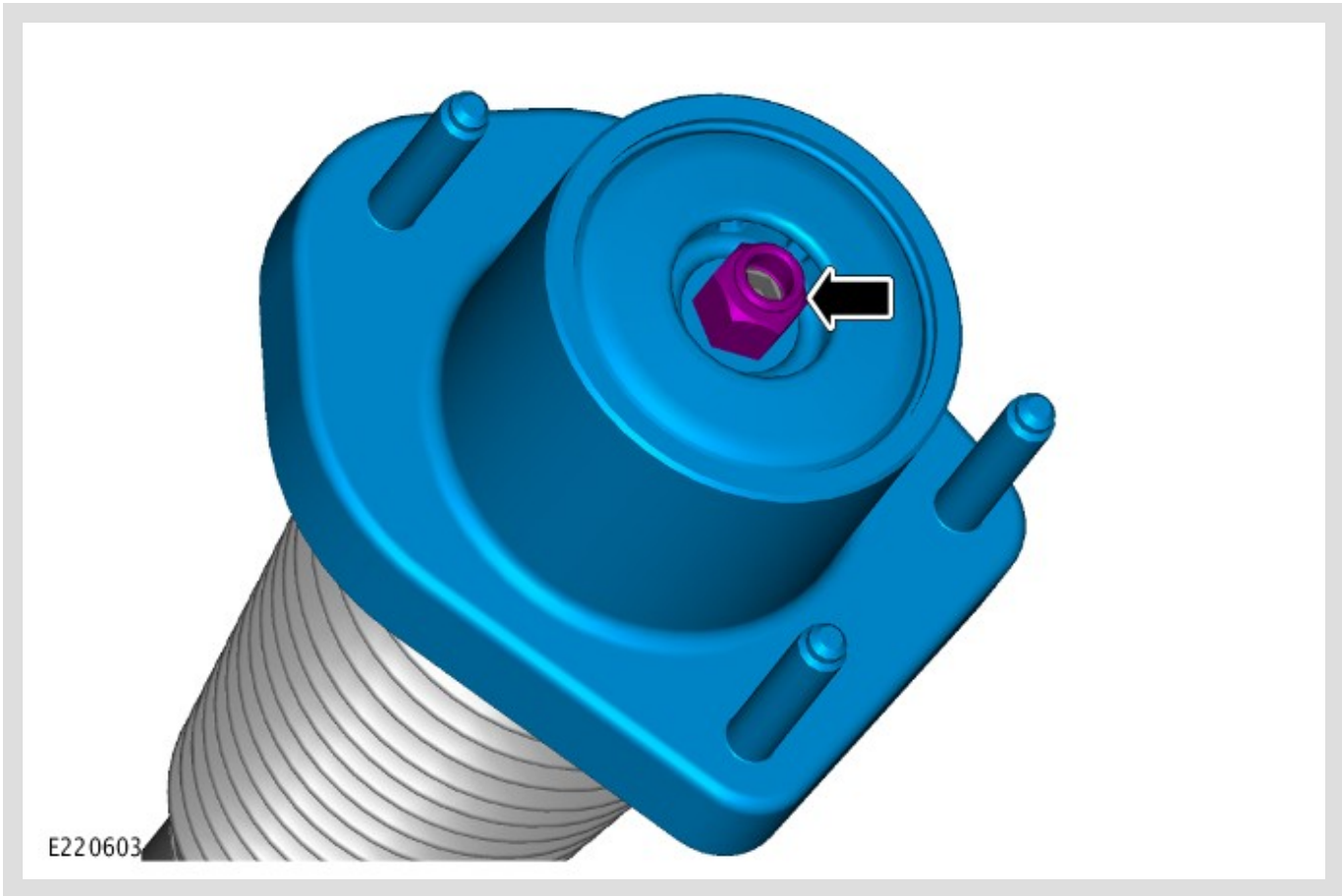


Inspect the rear shock absorber top mount (see TOPIx Workshop Manual section 204-02: Rear suspension - Removal and installation - Rear shock absorber - Vehicles with: 7 seats [steps 1-7]).

- If the top mount is damaged as shown, go to Step 2.
- If the top mount is not damaged, do not continue with this Workshop Procedure.
 - Continue diagnosis (see TOPIx Workshop Manual section 204-02: Rear suspension - Description and Operation) as a separate claim.

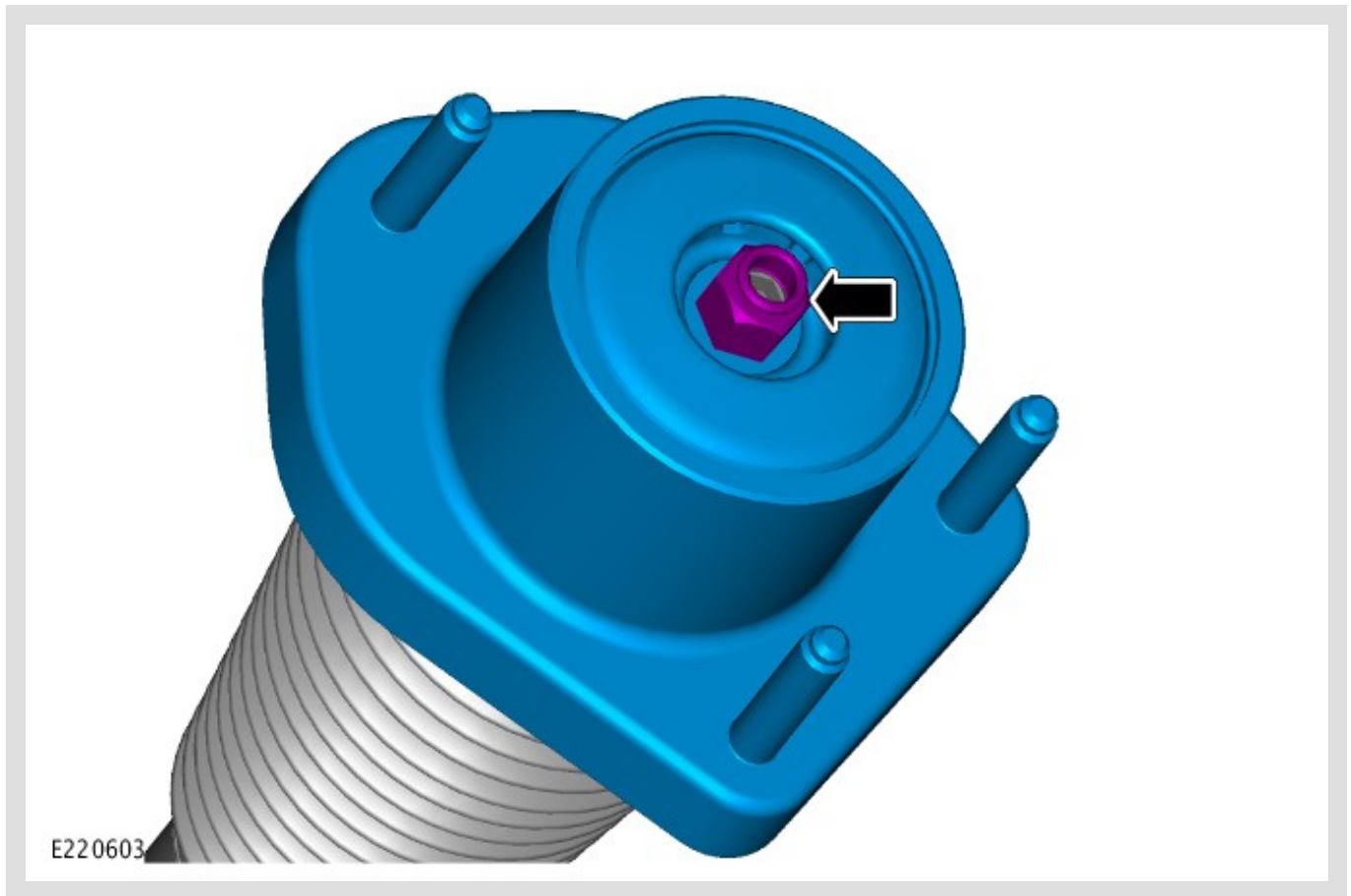
2 Remove the rear left shock absorber (see TOPIx Workshop Manual section 204-02: Rear suspension - Removal and installation - Rear shock absorber - Vehicles with: 7 seats [steps 7-11]).

3



Remove the rear left shock absorber top mount.

4



Install the new rear left shock absorber top mount.

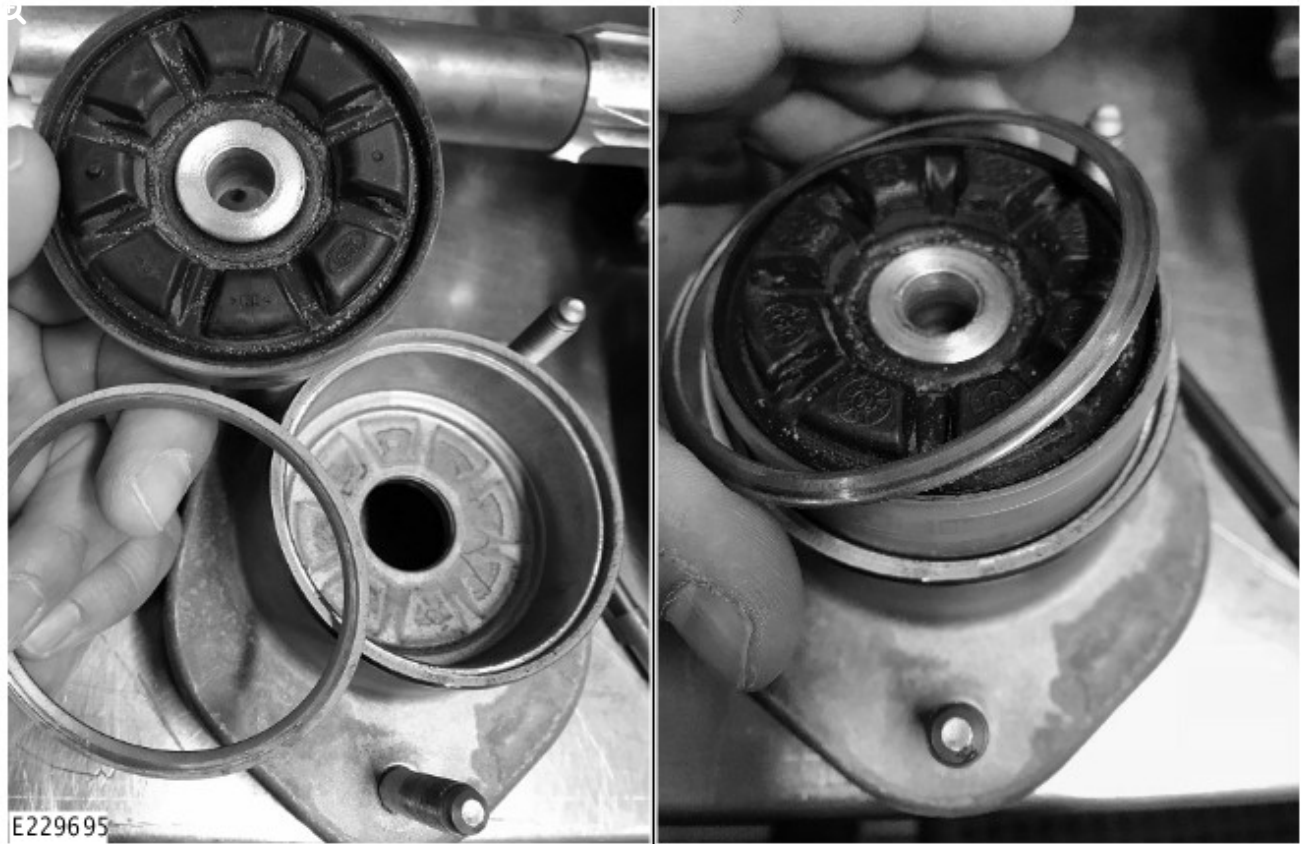
- Torque: **32 Nm**

5 Install the rear left shock absorber (see TOPIx Workshop Manual section 204-02: Rear suspension - Removal and installation - Rear shock absorber - Vehicles with: 7 seats **steps 1-13 only**).

6 Repeat steps 1-5 for the rear right shock absorber.

WORKSHOP PROCEDURE: VEHICLES WITHOUT: 7 SEATS

1

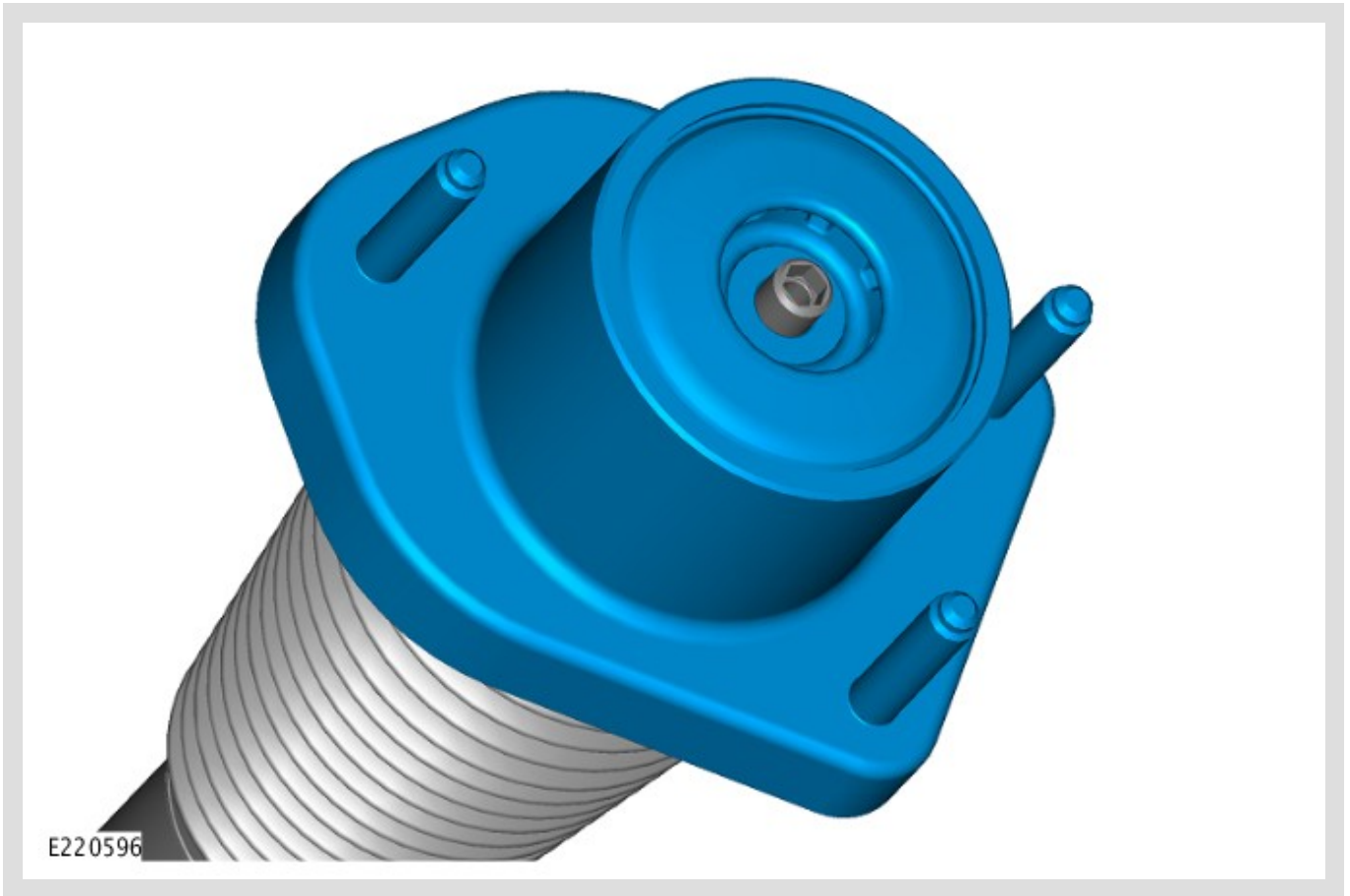


Inspect the rear shock absorber top mount (see TOPIx Workshop Manual section 204-02: Rear suspension - Removal and installation - Rear shock absorber - Vehicles without: 7 seats [steps 1-13]).

- If the top mount is damaged as shown, go to Step 2.
- If the top mount is not damaged, do not continue with this Workshop Procedure.
 - Continue diagnosis (see TOPIx Workshop Manual section 204-02: Rear suspension - Description and Operation) as a separate claim.

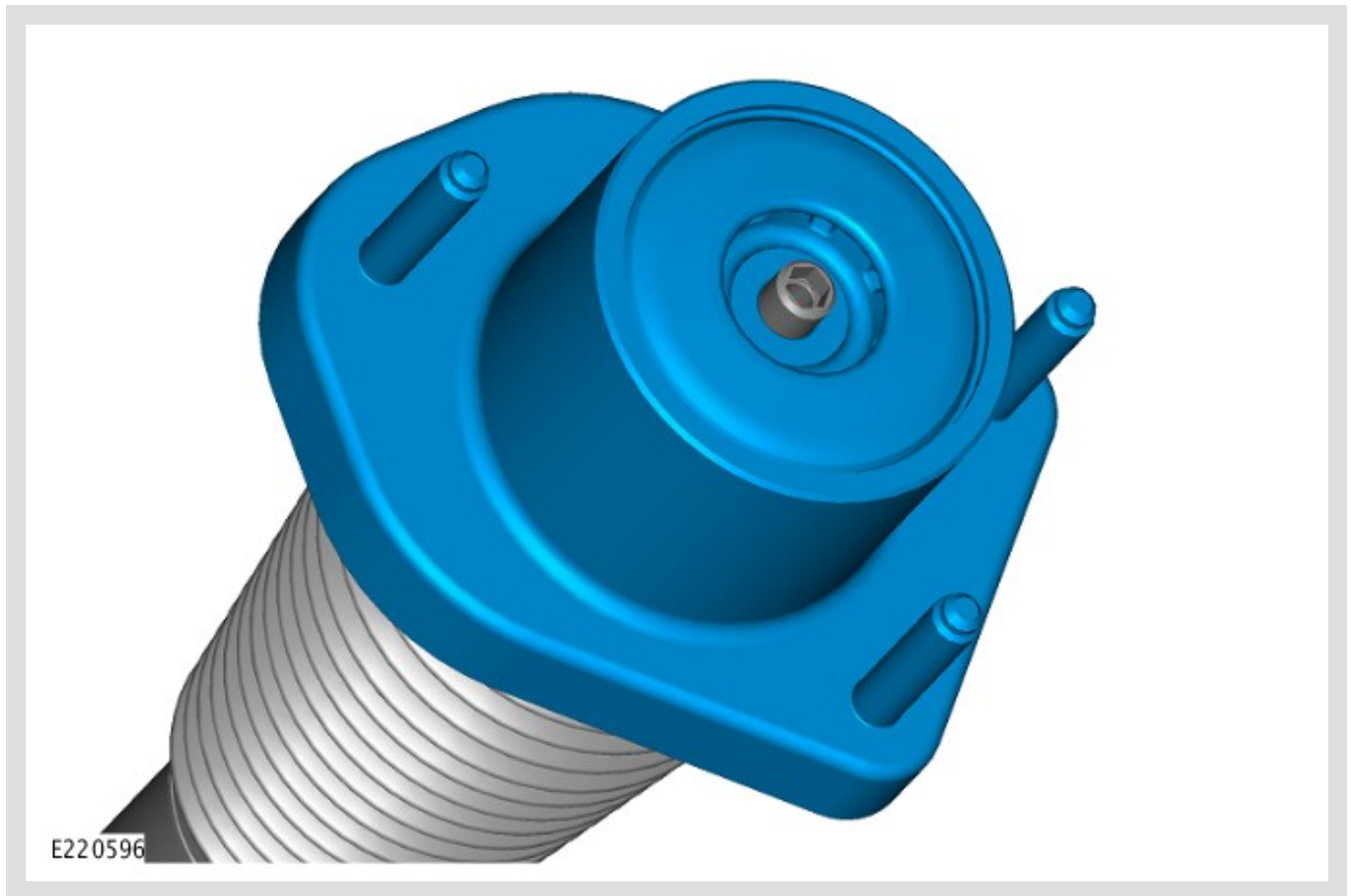
2 Remove the rear left shock absorber (see TOPIx Workshop Manual section 204-02: Rear suspension - Removal and installation - Rear shock absorber - Vehicles without: 7 seats [steps 13-18 only]).

3



Remove the rear left shock absorber top mount.

4



Install the new rear left shock absorber top mount.

5 Install the rear left shock absorber (see TOPIx Workshop Manual section 204-02: Rear suspension - Removal and installation - Rear shock absorber - Vehicles without: 7 seats [steps 3-24 only]).

6 Repeat steps 1-5 for the rear right shock absorber.