

TPI SERVICE BULLETIN



Model: Aventador Date: 06 July 2018
Model Year: All Group: TPI_LB73X.02.18
VIN Range: All TPI Description: Felts Application

Object

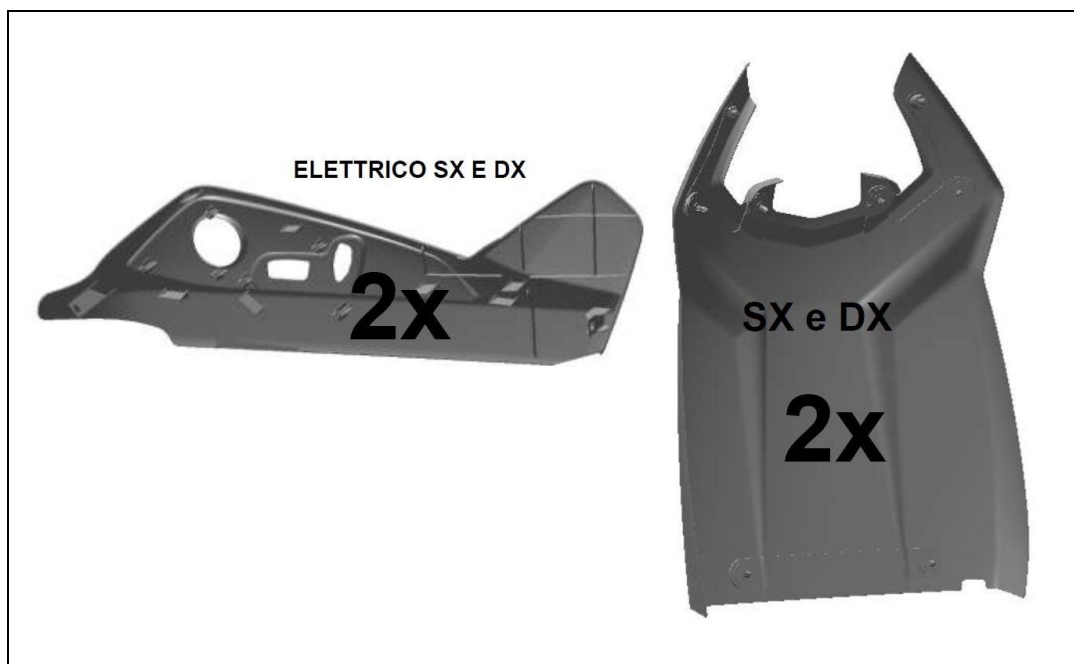
Information bulletin for the correct assembly of anti-noise felts on Lamborghini Aventador.

Information to the field

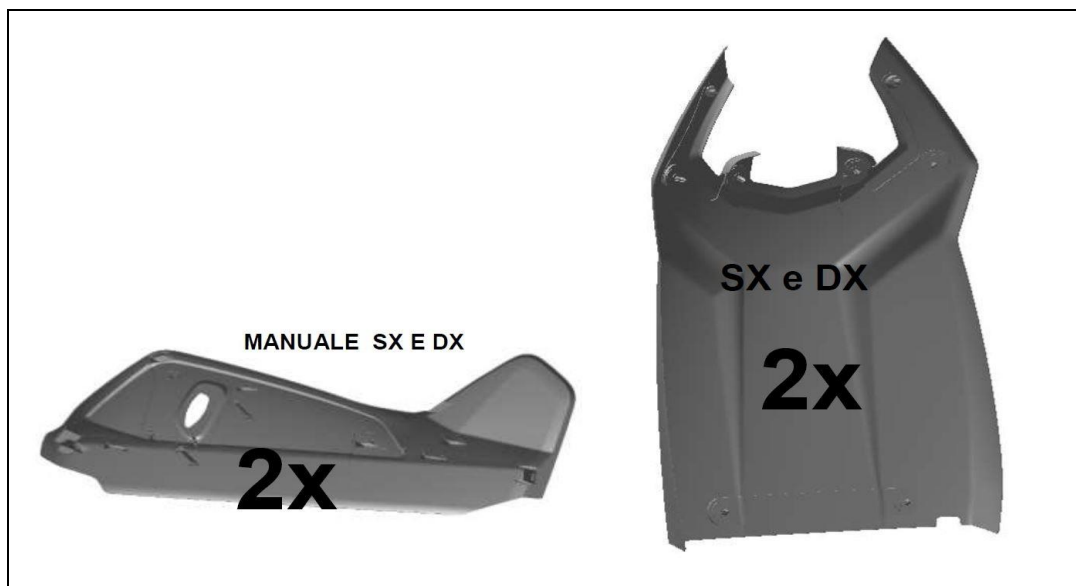
We inform the Lamborghini network that, in case of high noise of the seats Aventador equipped with carbon package (seat comfort full electric and standard), it is possible to solve the problem through the application of felts In certain areas. This noise is due to the rubbing on the skin of components such as the seatback panel and the seat control side panel.

Below are the components involved according to the seat version:

Automatic:



Manual:



General information

In order to carry out the assembling of the felts on the various components, it is necessary to dismantle the seat from the car, the backrest and the side cover.

For the dismantling of these parts see the following references which refer to the workshop manual according to the type of seat fitted (manual or automatic):

Manual

Workshop Manual → Chapter 08-Body → 82-Front seat → B-Complete seat (manual version).

Workshop Manual → Chapter 08-Body → 82-Front seat → G-Seatback panel.

Workshop Manual → Chapter 08-Body → 82-Front seat → N-Manual seat control side panel.

Automatic

Workshop Manual → Chapter 08-Body → 82-Front seat → C-Complete seat (automatic version).

Workshop Manual → Chapter 08-Body → 82-Front seat → G-Seatback panel.

Workshop Manual → Chapter 08-Body → 82-Front seat → J-Automatic seat control side panel.

Technical information

Necessary materials

Adhesive Felt tape width 35 mm 052000004.

Adhesive Felt tape width 20 mm length 900 mm code 533867910 A.

Application on seatback panel

Apply the adhesive felt 052000004 in the areas indicated in the figure 1 and following the distances in figure 2.

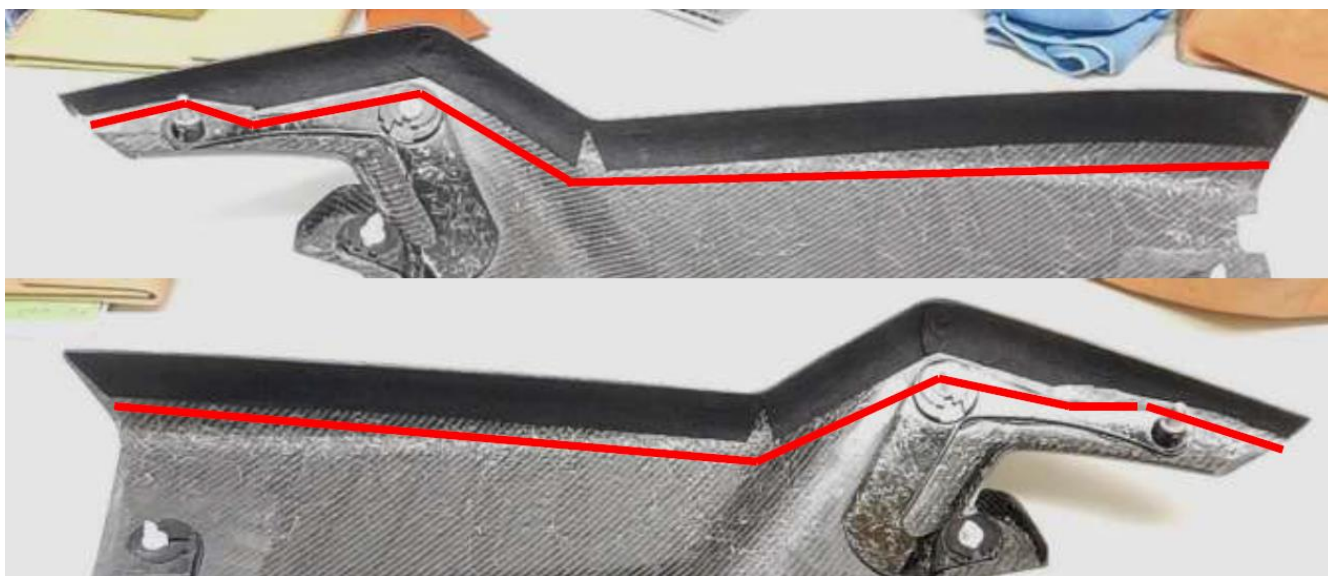


Figure 1

Rev.01	<i>The information and procedures published below are strictly confidential and intended exclusively for authorized operators and individuals. All copyrights are the property of Automobili Lamborghini S.p.A based on copyright law. The company reserves the right to make updates and modifications. The reprinting, reproduction, forwarding to unauthorized people and/or to third parties and partial or entire translation thereof are prohibited without written authorization from Automobili Lamborghini S.p.A.</i>	3/6
--------	--	-----

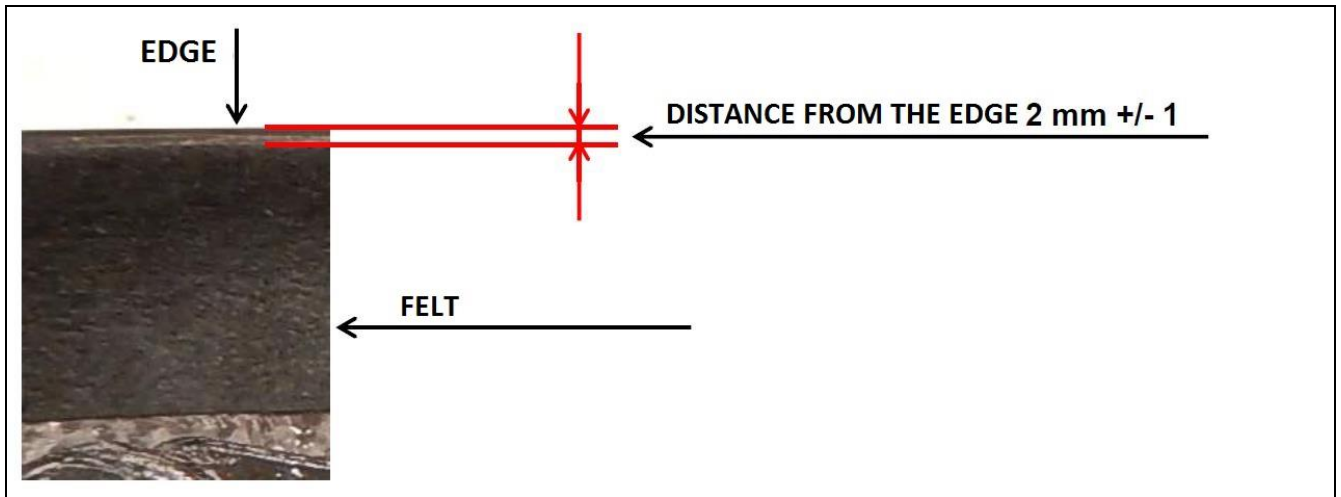


Figure 2

Application on seat control side panel (both automatic and manual version)

Apply felt width 20 mm code 533867910 A as shown in Figure 3.

Then insert strips of 35 mm code 052000004 like in Figure 4 and 5.

Important observe the distances described in Figure 6.

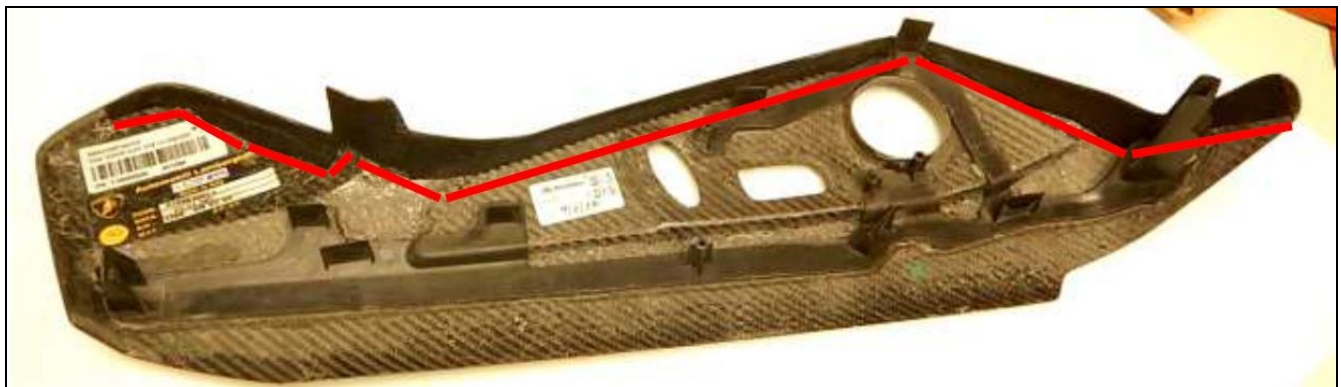


Figure 3

Rev.01	<p><i>The information and procedures published below are strictly confidential and intended exclusively for authorized operators and individuals. All copyrights are the property of Automobili Lamborghini S.p.A based on copyright law. The company reserves the right to make updates and modifications. The reprinting, reproduction, forwarding to unauthorized people and/or to third parties and partial or entire translation thereof are prohibited without written authorization from Automobili Lamborghini S.p.A.</i></p>	4/6
--------	---	-----



Figure 4



Figure 5

Rev.01	<p><i>The information and procedures published below are strictly confidential and intended exclusively for authorized operators and individuals. All copyrights are the property of Automobili Lamborghini S.p.A based on copyright law. The company reserves the right to make updates and modifications. The reprinting, reproduction, forwarding to unauthorized people and/or to third parties and partial or entire translation thereof are prohibited without written authorization from Automobili Lamborghini S.p.A.</i></p>	5/6
--------	---	-----

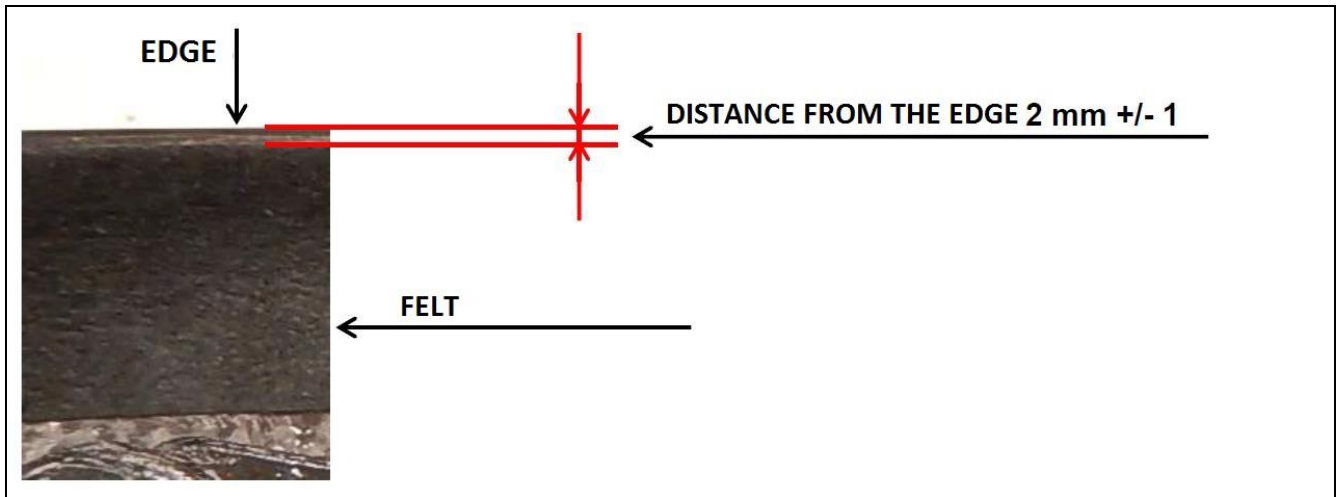


Figure 6

For any further information do not hesitate to contact your Area Manager or service.department@lamborghini.com.

Rev.01	<i>The information and procedures published below are strictly confidential and intended exclusively for authorized operators and individuals. All copyrights are the property of Automobili Lamborghini S.p.A based on copyright law. The company reserves the right to make updates and modifications. The reprinting, reproduction, forwarding to unauthorized people and/or to third parties and partial or entire translation thereof are prohibited without written authorization from Automobili Lamborghini S.p.A.</i>	6/6
--------	--	-----