



LTB01151NAS2

TECHNICAL BULLETIN

25 OCT 2018

© Jaguar Land Rover North America, LLC

NOTE: The information in Technical Bulletins is intended for use by trained, professional Technicians with the knowledge, tools, and equipment required to do the job properly and safely. It informs these Technicians of conditions that may occur on some vehicles, or provides information that could assist in proper vehicle service. The procedures should not be performed by 'do-it-yourselfers'. If you are not a Retailer, do not assume that a condition described affects your vehicle. Contact an authorized Land Rover service facility to determine whether this bulletin applies to a specific vehicle.

INFORMATION

This reissue replaces all previous versions. Please destroy all previous versions.

Changes are highlighted in blue

SECTION:

418-02: Wiring Harness

SUBJECT/CONCERN:

Interference/Screech/Popping Noise During A Bluetooth® Call

AFFECTED VEHICLE RANGE:

MODEL:	MODEL YEAR:	VIN:
Discovery Sport (LC)	2017 Onwards	633943 Onwards
Range Rover Evoque (LV)	2017 Onwards	168185 Onwards

MARKETS:

NORTH AMERICA

CONDITION SUMMARY:

SITUATION:

During a Bluetooth® call, an interference/screech/popping noise may be heard.

CAUSE:

This may be caused by electrical interference from the body electrical wiring harness when the climate seats are operated, an auto Stop/Start event occurs, and/or the active driveline is operational.

ACTION:

Should a customer express this concern, follow the Workshop Procedure below.

PARTS:

PART NUMBER	DESCRIPTION	QUANTITY
LR113831	Overlay wiring harness - InControl Touch - Discovery Sport (L550)	1
LR113830	Overlay wiring harness - InControl Touch Pro - Discovery Sport (L550)	1
LR061047	Microphone	1
LR083490	Tape	1
LR080344	Bolt(s) - Seatbelt Mounting - Seat	2
KYG500410	Bolt(s) - Seatbelt Mounting - Body	2
LR067428	Bolt(s) - Seat Mounting	8
LR122983	Overlay wiring harness - InControl Touch - Range Rover Evoque (L538)	1
LR122982	Overlay wiring harness - InControl Touch Pro - Range Rover Evoque (L538)	1
LR006101	Trim Panel Clips - Range Rover Evoque (L538; 5-Door)	4
LR094454	Trim Panel Clips - Range Rover Evoque (L538; 3-Door, Folding Top)	4

TOOLS:

Refer to Workshop Manual for any required special tools.

WARRANTY:

NOTES:

- Repair procedures are under constant review, and therefore times are subject to change; those quoted here must be taken as guidance only. Always refer to JLR claims submission system to obtain the latest repair time.
- The JLR Claims Submission System requires the use of causal part numbers. Labor only claims must show the causal part number with a quantity of zero.

DESCRIPTION	SRO	TIME (HOURS)	CONDITION CODE	CAUSAL PART
Install wiring overlay harness - InControl Touch - Discovery Sport (L550)	87.02.56	3.1	42	LR061047
Install wiring overlay harness - InControl Touch Pro - Discovery Sport (L550)	87.01.56	2.8	42	LR061047
Install wiring overlay harness - InControl Touch - Range Rover Evoque (L538; Folding Top)	87.02.56	3.5	42	LR061047
Install wiring overlay harness - InControl Touch - Range Rover Evoque (L538; 3-Door, 5-Door)	87.02.56	2.9	42	LR061047
Install wiring overlay harness - InControl Touch Pro - Range Rover Evoque (L538; Folding Top)	87.01.56	3.7	42	LR061047
Install wiring overlay harness - InControl Touch Pro - Range Rover Evoque (L538; 3-Door, 5-Door)	87.01.56	3.5	42	LR061047

NOTE:

Normal Warranty procedures apply.

WORKSHOP PROCEDURE 'A' - DISCOVERY SPORT (L550) VEHICLES ONLY:

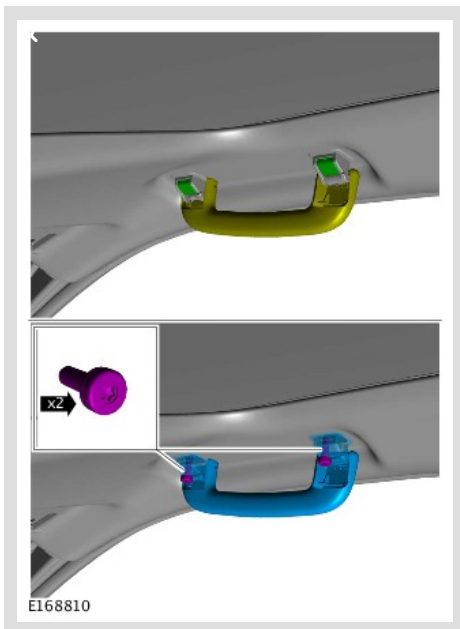
△ NOTES:

- Removal steps in this procedure may contain installation details.
- Parts may be shown removed for clarity.

- 1 Remove front row left and right seats (see TOPIx Workshop Manual section 501-10: Seating - Removal and Installation - Front Row Seat).
- 2 Remove the B-pillar lower trim pieces (see TOPIx Workshop Manual section 501-05: Interior Trim and Ornamentation - Removal and Installation - B-Pillar Lower Trim Panel).
- 3 Remove the floor console upper section (see TOPIx Workshop Manual section 501-12: Instrument Panel and Console - Removal and Installation - Floor Console Upper Section).
- 4 Remove the overhead console (see TOPIx Workshop Manual section 501-12: Instrument Panel and Console - Removal and Installation - Overhead Console).
- 5 Remove the front A-pillar trim panels (see TOPIx Workshop Manual section 501-05: Interior Trim and Ornamentation - Removal and Installation - A-Pillar Trim Panel).

6 △ NOTE:

This step must be completed on both sides of the vehicle.

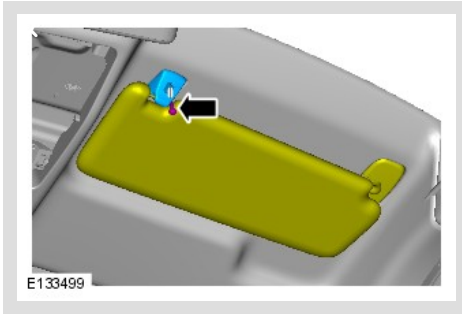


Remove the fasteners.

- **Torque: 6 Nm**

7 △ NOTE:

This step must be completed on both sides of the vehicle.



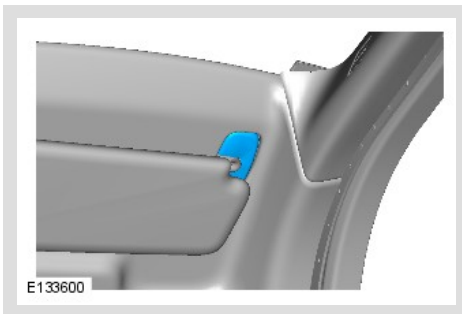
Remove the sun visor mount.

- Torque:6 Nm

8

⚠ NOTE:

This step must be completed on both sides of the vehicle.

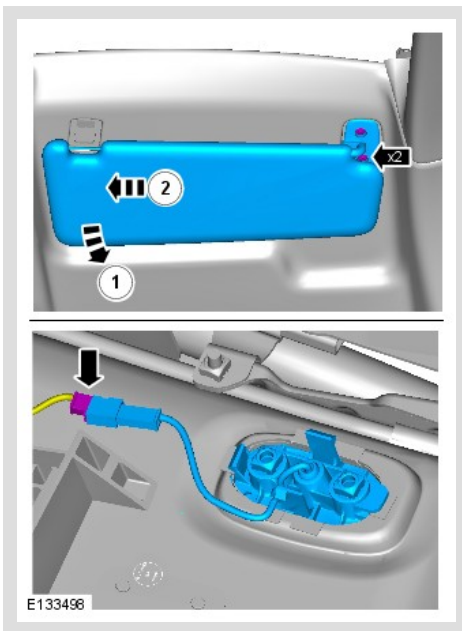


Remove the trim.

9

⚠ NOTE:

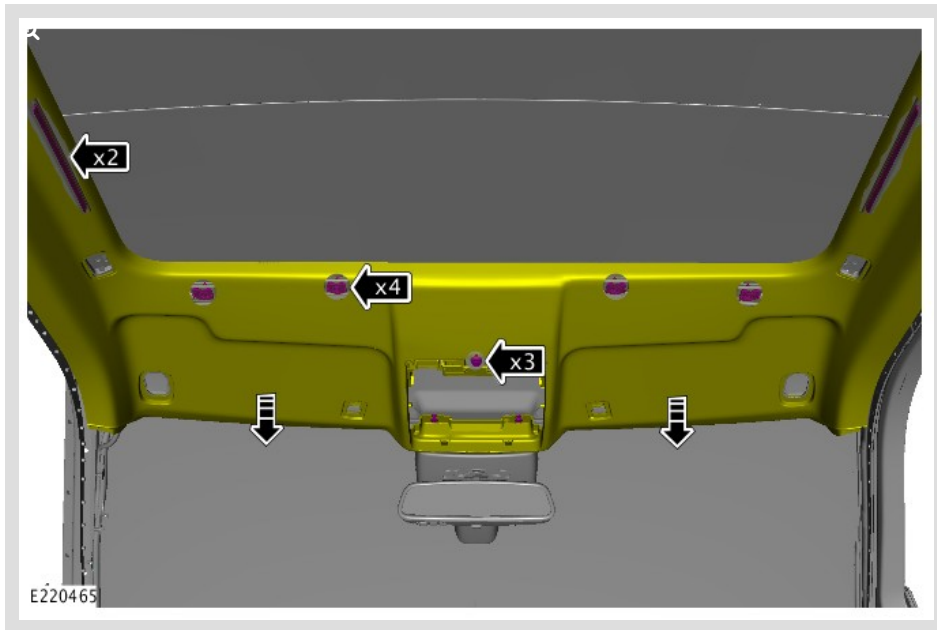
This step must be completed on both sides of the vehicle.



Remove the sun visor.

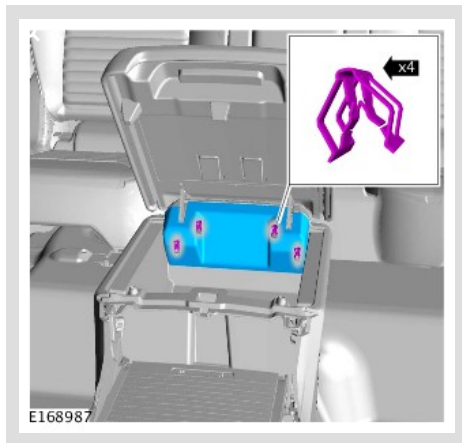
- Torque: 6 Nm

10



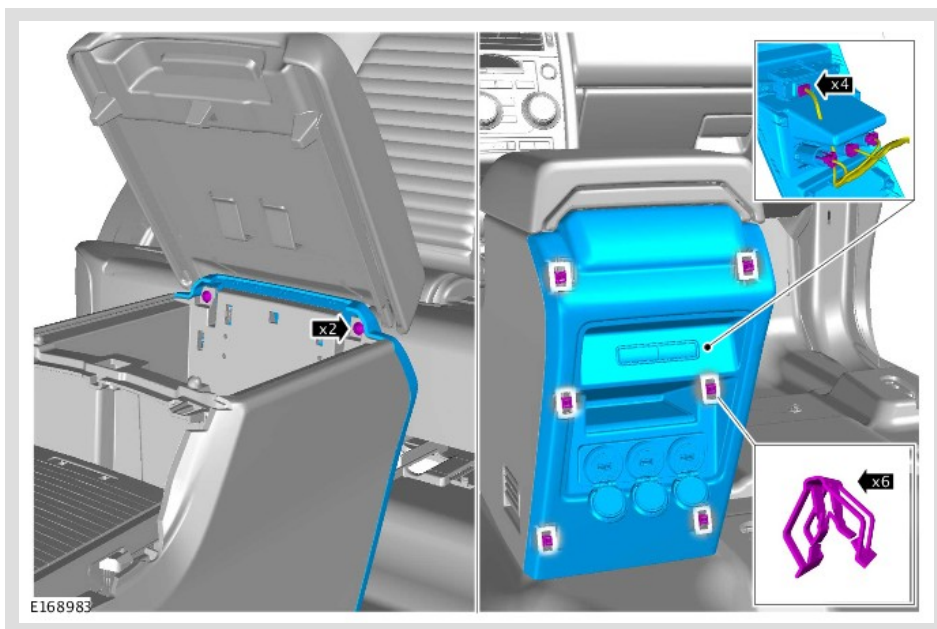
Gently lower the front of the headliner.

11



Remove the trim.

12



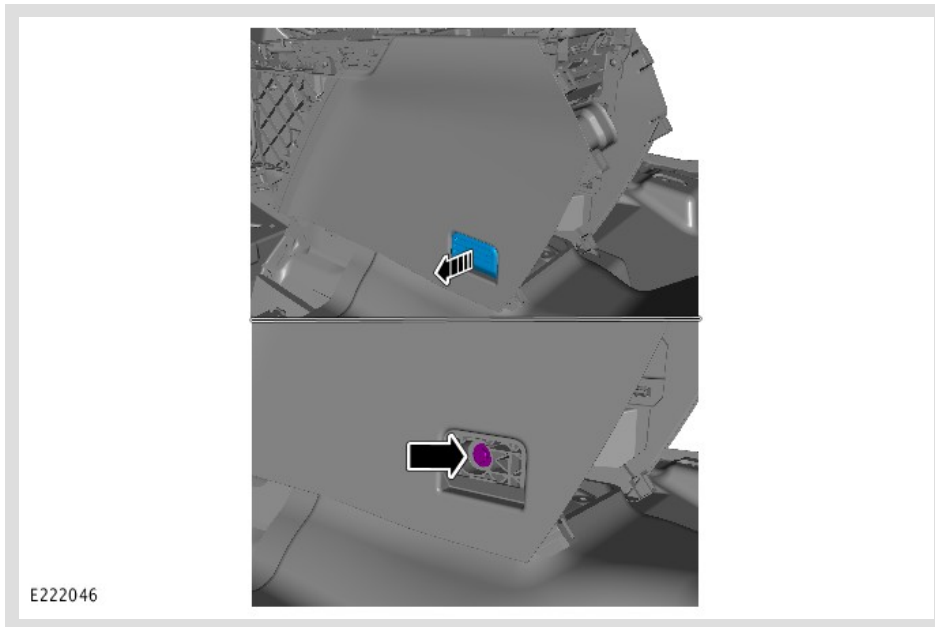
Remove the floor console rear panel.

- Torque: 1.5 Nm

13

NOTE:

This step must be completed on both sides of the vehicle.



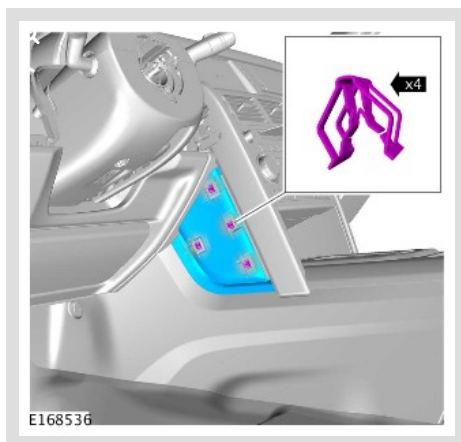
Remove the floor console side trim cover and fastener.

- Torque: 6 Nm

14

NOTE:

This step must be completed on both sides of the vehicle.

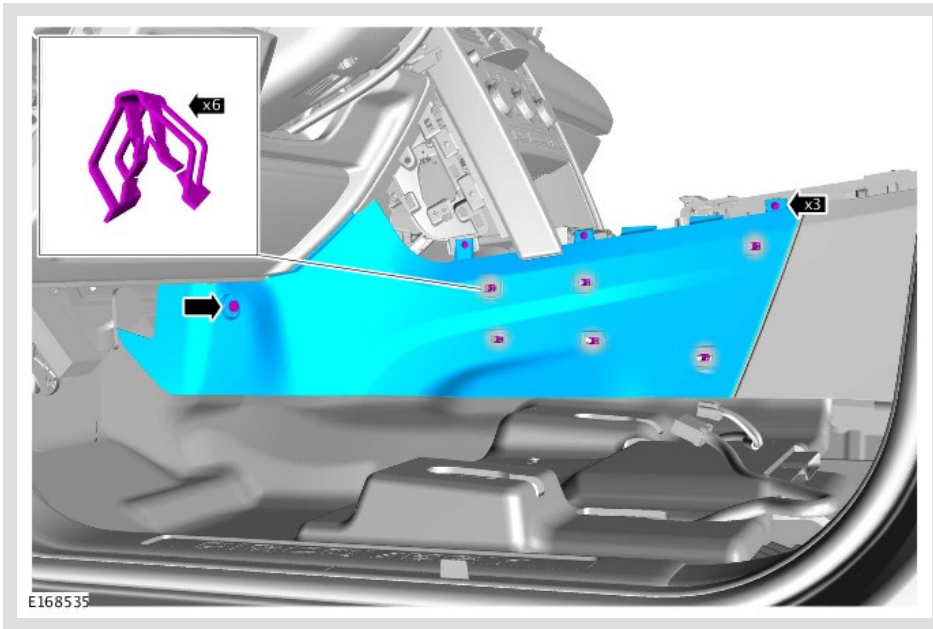


Remove the trim panel.

15

NOTE:

This step must be completed on both sides of the vehicle.



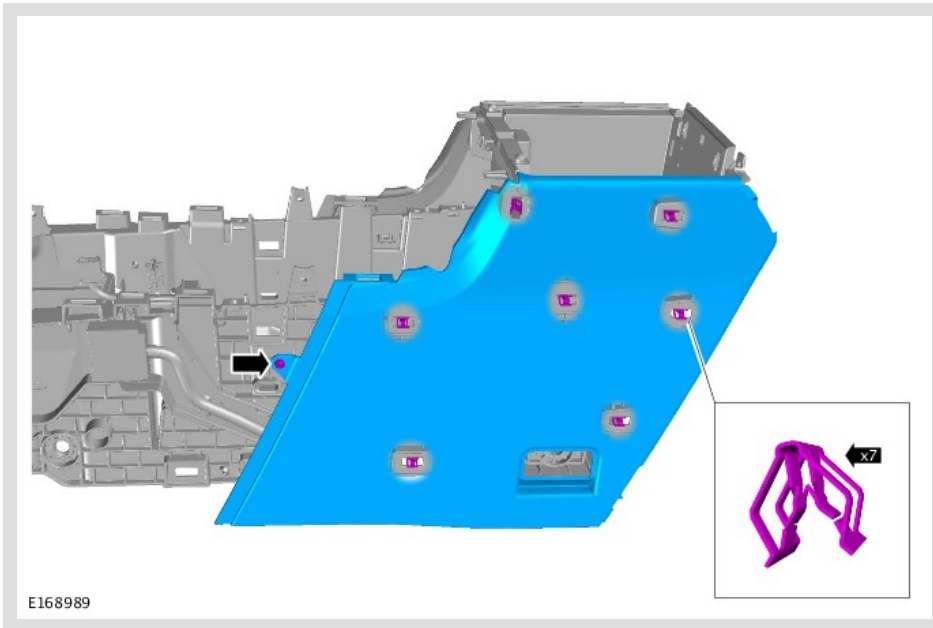
Remove the side panel from the floor console.

- Torque: 1.5 Nm

16

△ NOTE:

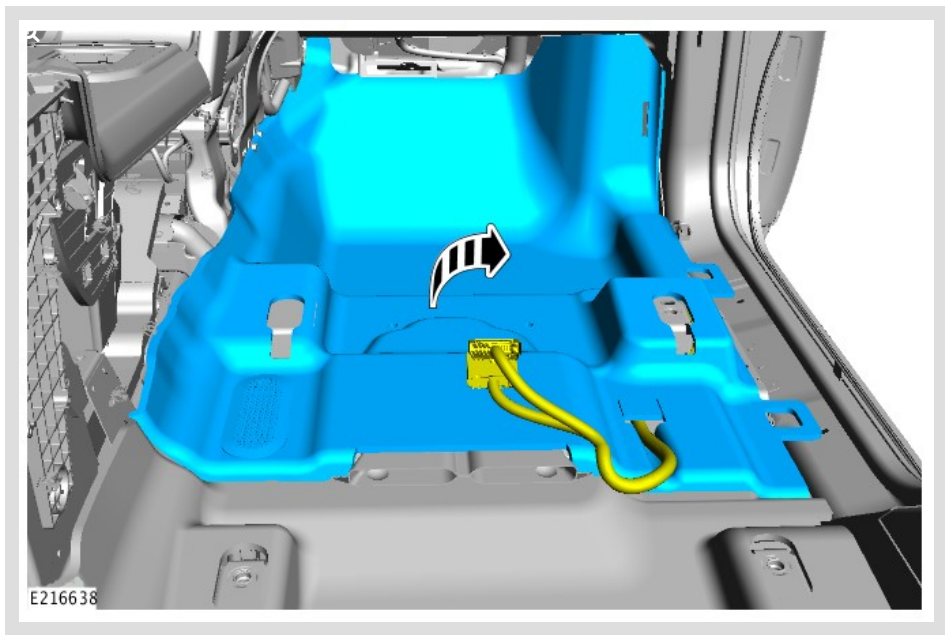
This step must be completed on both sides of the vehicle.



Remove the trim.

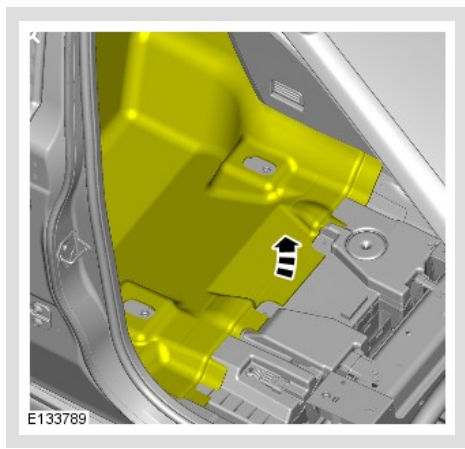
- Torque: 1.5 Nm

17



Remove the front right floor carpet.

18

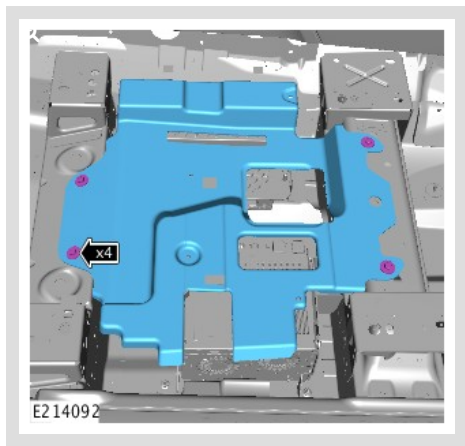


Position the second row right floor carpet to one side.

19

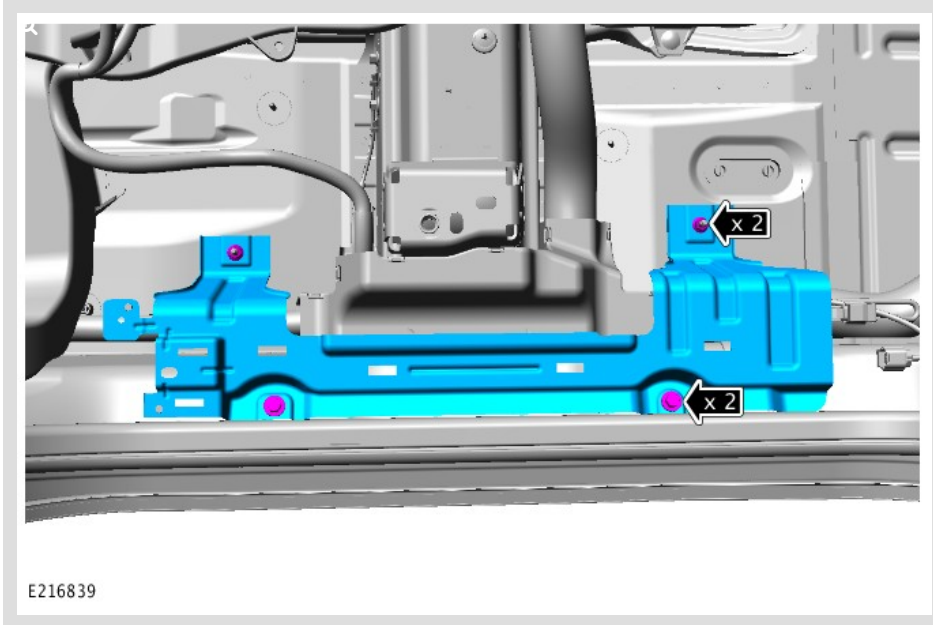
NOTE:

With InControl Touch Pro only.



Remove the front right floor carpet bracket.

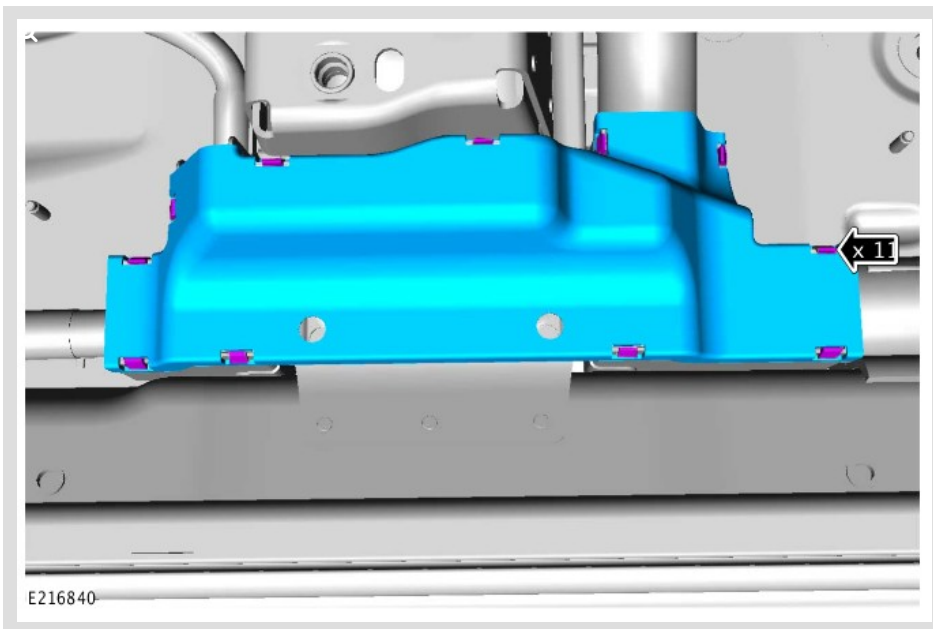
20



Remove the metal brace.

- Toque: 9 Nm

21



Remove the cover from the wiring harness channel.

22



E220490

Use a suitable tool to remove the locating tab from the new microphone.

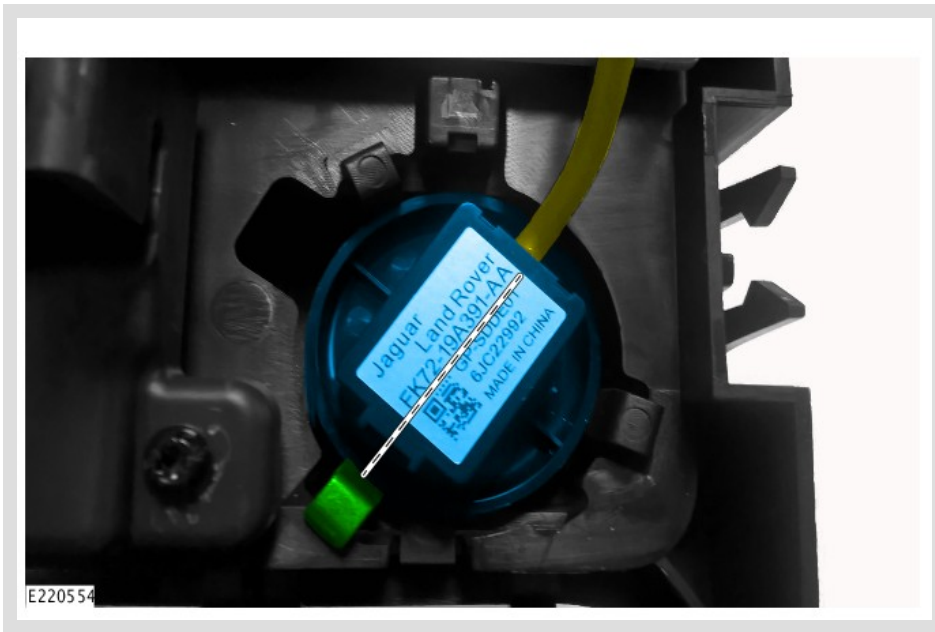
23



E221554

Remove the foam from the empty overhead console microphone space.

24



Install the new microphone in the overhead console.

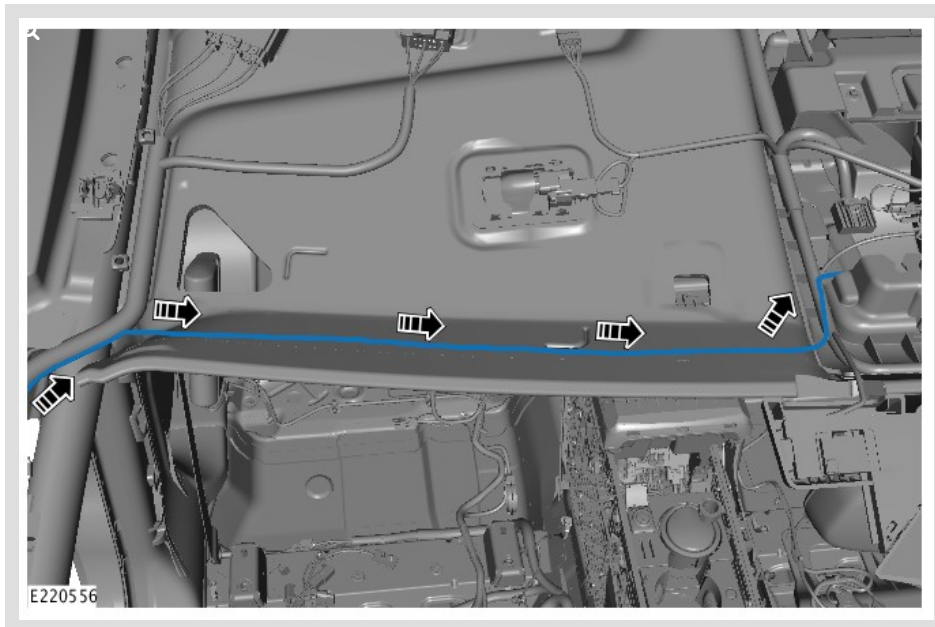
- Align the microphone as shown.

25



Route the microphone wiring as shown.

26



Install the overlay wiring harness above the headliner towards the overhead console.

- Connect the overlay wiring harness to the new microphone connector.
- Use a suitable tape to secure the microphone connector in place.

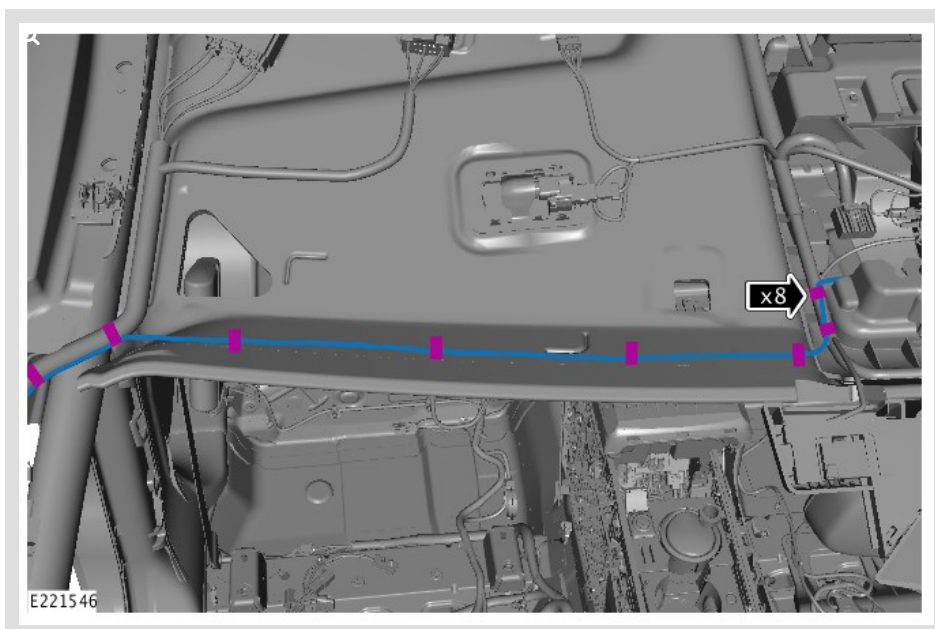
27

Install the overhead console (see TOPIx Workshop Manual section 501-12: Instrument Panel and Console - Removal and Installation - Overhead Console).

28

NOTE:

Where required: the overlay wiring harness may be taped at closer intervals to allow the overlay wiring harness to follow the existing wiring harness.

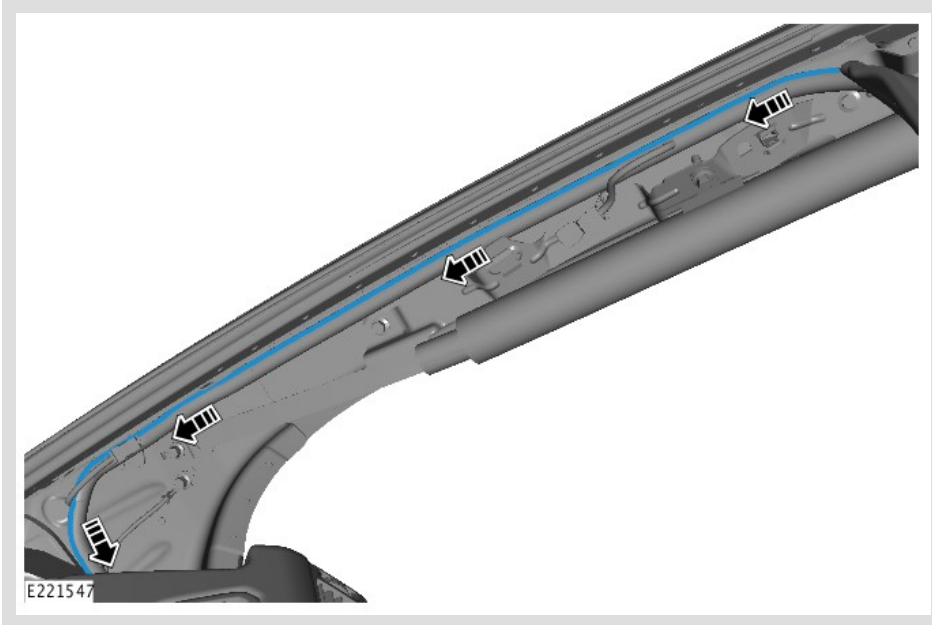


Use a suitable tape to secure the overlay wiring harness to the existing wiring harness at approximately 100mm intervals.

29

Reverse steps 6-10 to install the headliner.

30

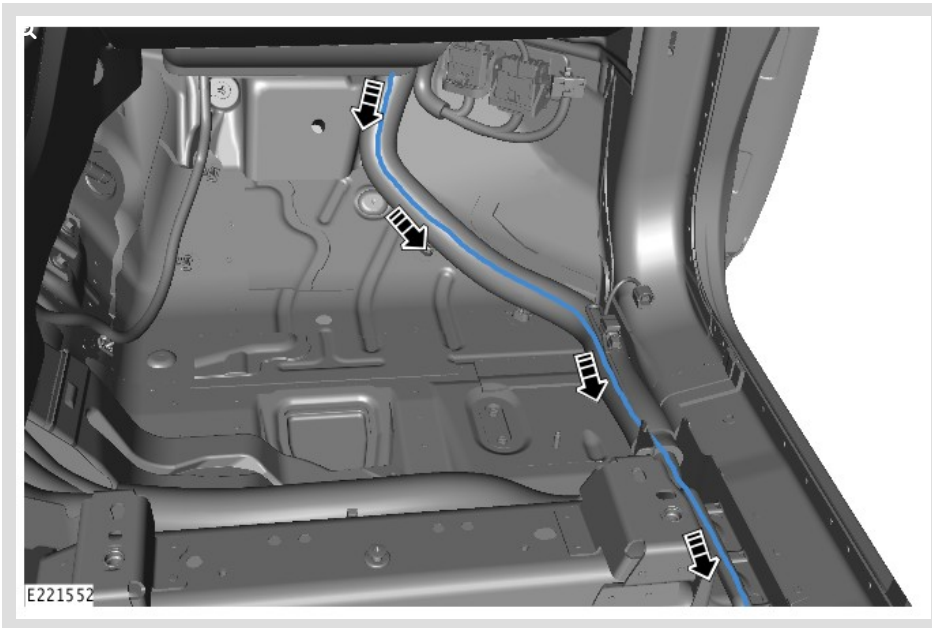


Install the overlay wiring harness along the right A-pillar and behind the instrument panel.

- Vehicles with InControl Touch: go to Step 40.
- Vehicles with InControl Touch Pro: go to the next Step.

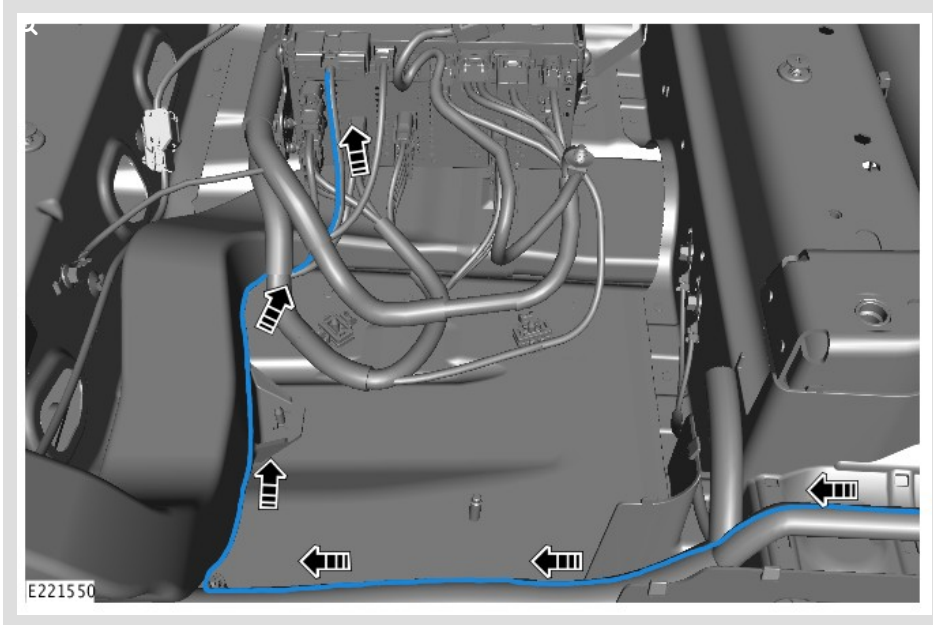
Steps 31-39: with InControl Touch Pro only.

31



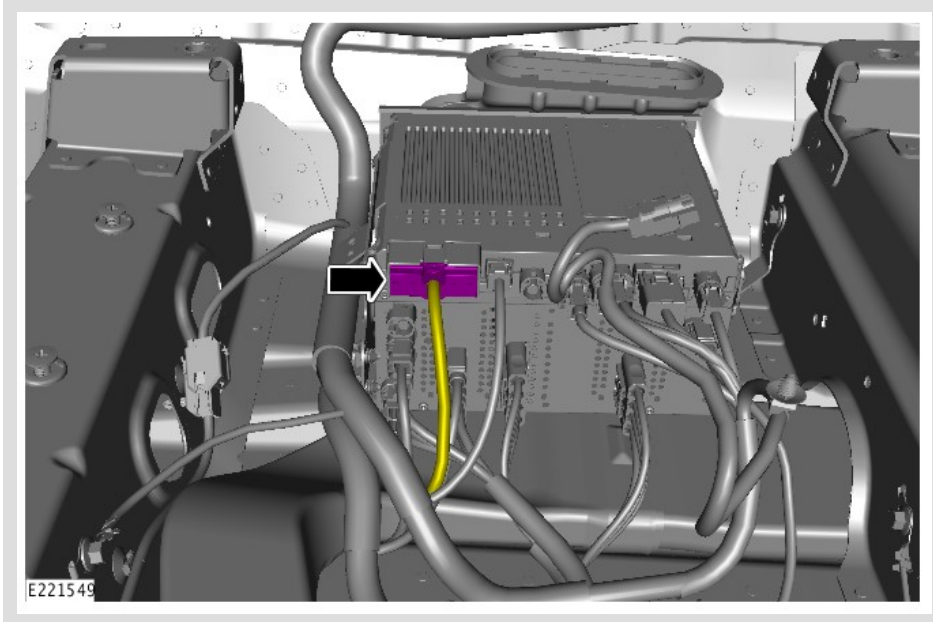
Install the overlay wiring harness along the existing wiring harness

32



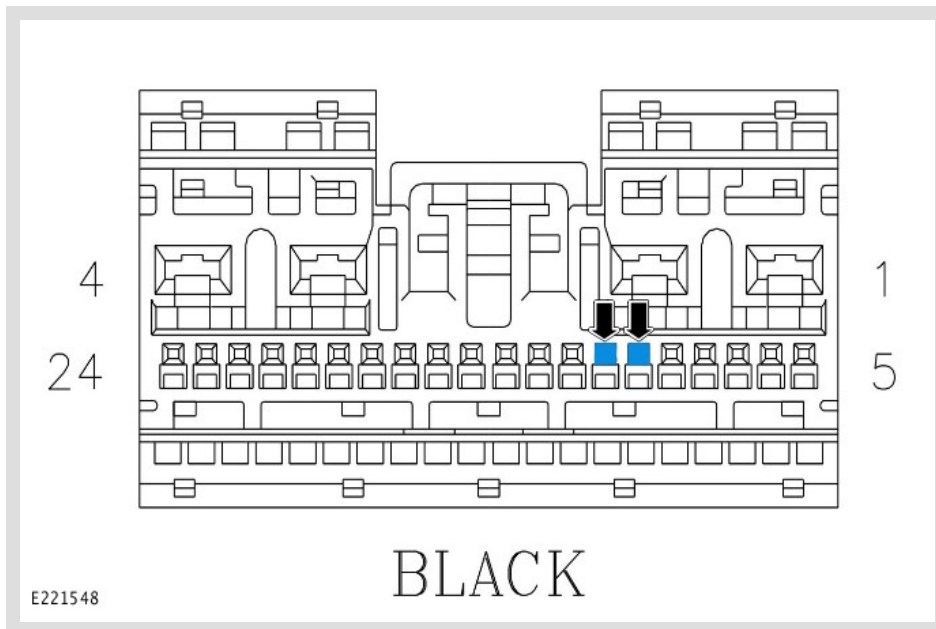
Install the overlay wiring harness along the existing wiring harness

33



Disconnect connector C3MA01A from the Infotainment Master Controller (IMC [see TOPIx Electrical Information - Electrical Reference Library - C3MA01A - Audio Head Unit]).

34



De-pin the wires from cavities 10 and 11 (see TOPlx Workshop Manual section 418-02: Wiring Harness - Description and Operation - Wiring Harness).

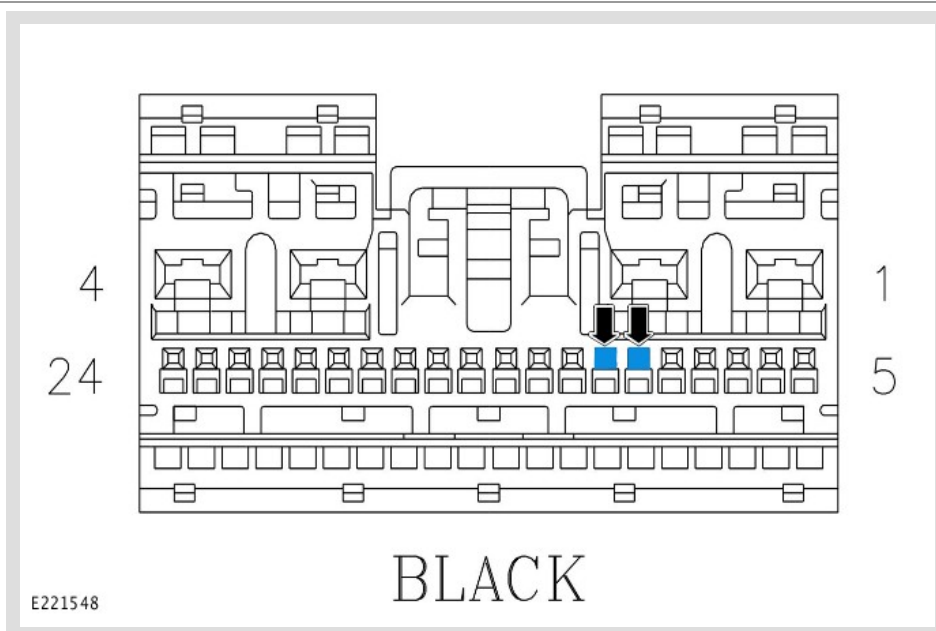
- **Cavity 10 = Yellow/Green**
- **Cavity 11 = Blue**

35

Cut the ends off the 2 de-pinned wires.

- 1 Apply heat shrink to the ends of the 2 wires.
- 2 Tape the 2 wires back alongside the main wiring harness.

36



Install the following overlay wiring harness wires into cavities 10 and 11 (see TOPlx Workshop Manual section 418-02: Wiring Harness - Description and Operation - Wiring Harness).

- **Cavity 10 = Yellow/Green**
- **Cavity 11 = Blue**

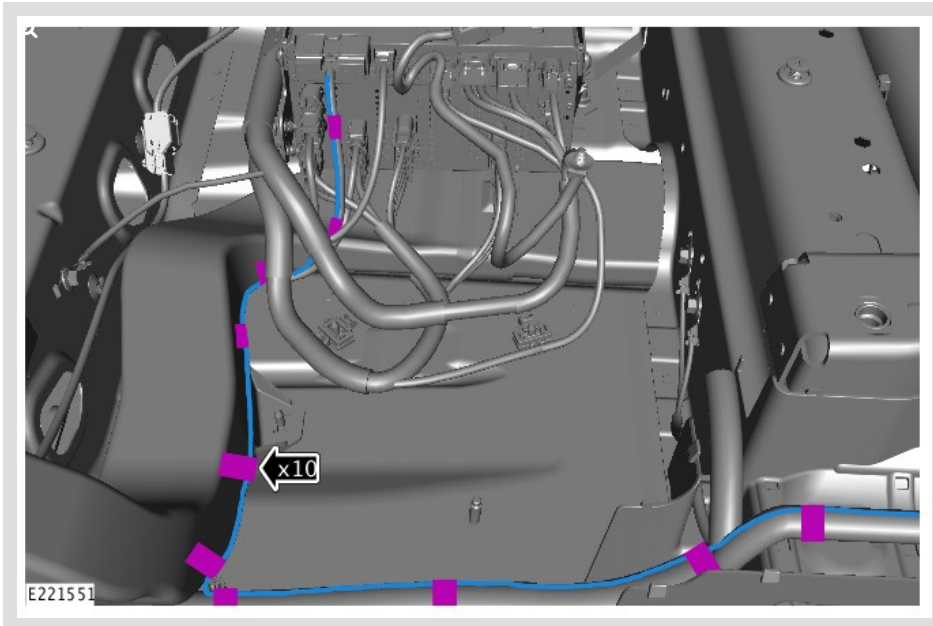
37

Install electrical connector C3MA01A into the IMC.

38

△ NOTE:

Where required: the overlay wiring harness may be taped at closer intervals to allow the overlay wiring harness to follow the existing wiring harness.

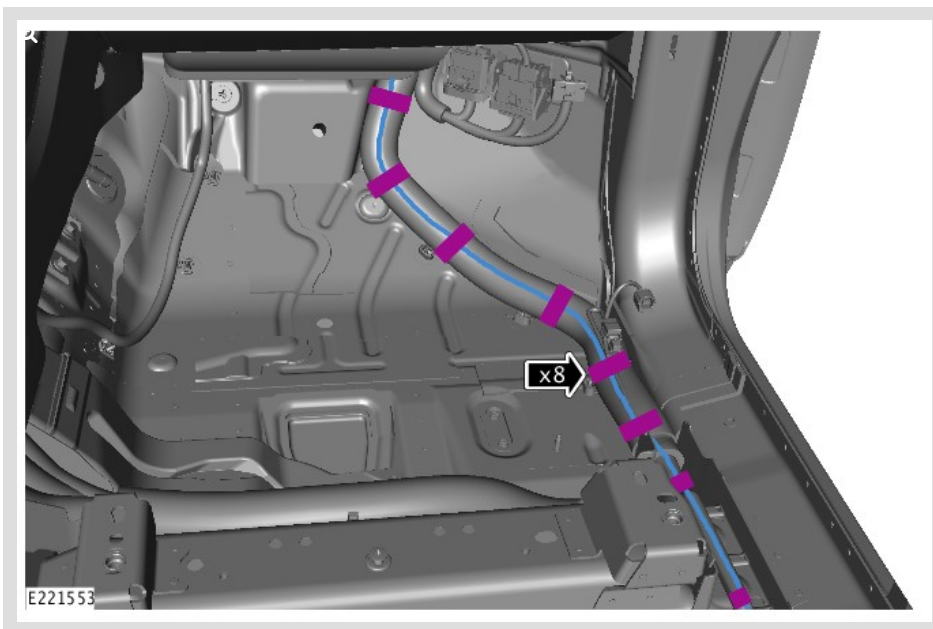


Use a suitable tape to secure the overlay wiring harness to the existing wiring harness at approximately 100mm intervals.

39

△ NOTE:

Where required: the overlay wiring harness may be taped at closer intervals to allow the overlay wiring harness to follow the existing wiring harness.

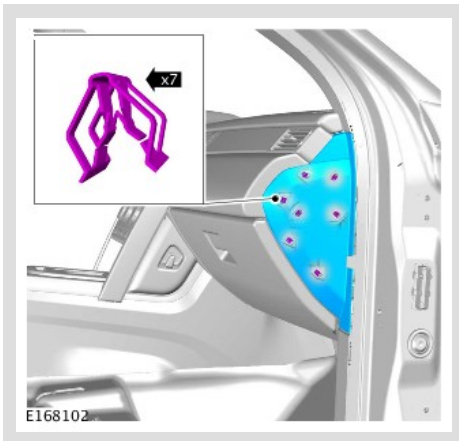


Use a suitable tape to secure the overlay wiring harness to the existing wiring harness at approximately 100mm intervals.

- When completed, go to Step 60.

Steps 40-59: With InControl Touch only.

40

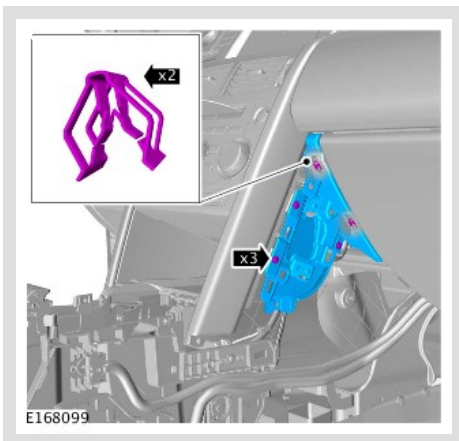


Remove the trim panel.

41

△ NOTE:

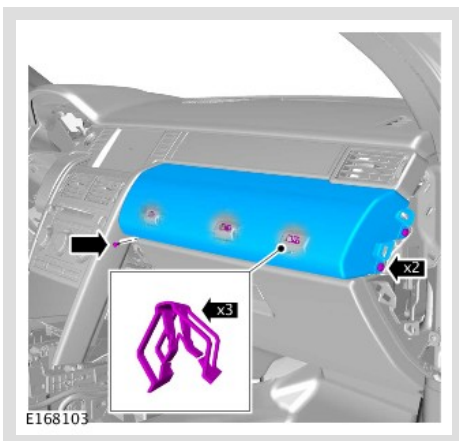
Repeat the step for the other side of the vehicle.



Remove the bracket.

- Torque: 1.5 Nm

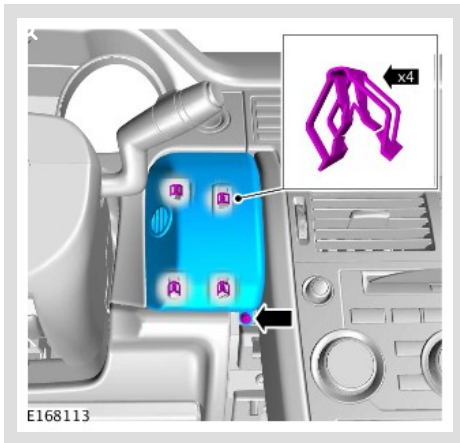
42



Remove the instrument panel upper trim.

- Torque: 6 Nm

43



Remove the instrument panel upper trim.

- Torque: 1.5 Nm

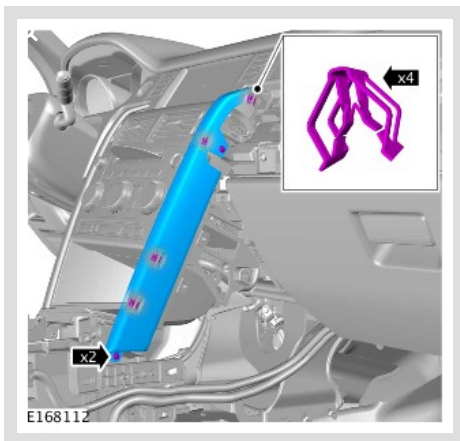
44

ⓘ CAUTION:

Extreme care must be taken when removing and installing the trim. Excessive force may result in damage to the component.

△ NOTE:

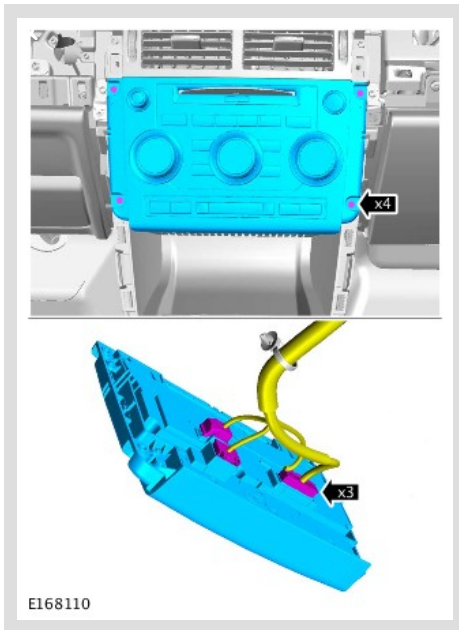
Repeat the step for the other side of the vehicle.



Remove the instrument panel finisher.

- Torque: 1.5 Nm

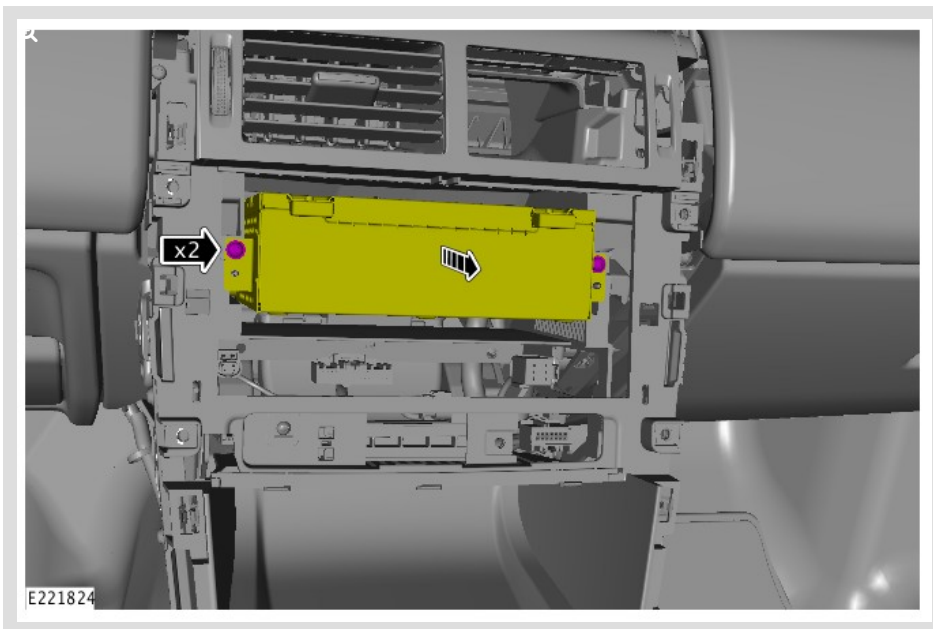
45



Remove the Climate Control Assembly/HVAC Control Module.

- Torque: 1.5 Nm

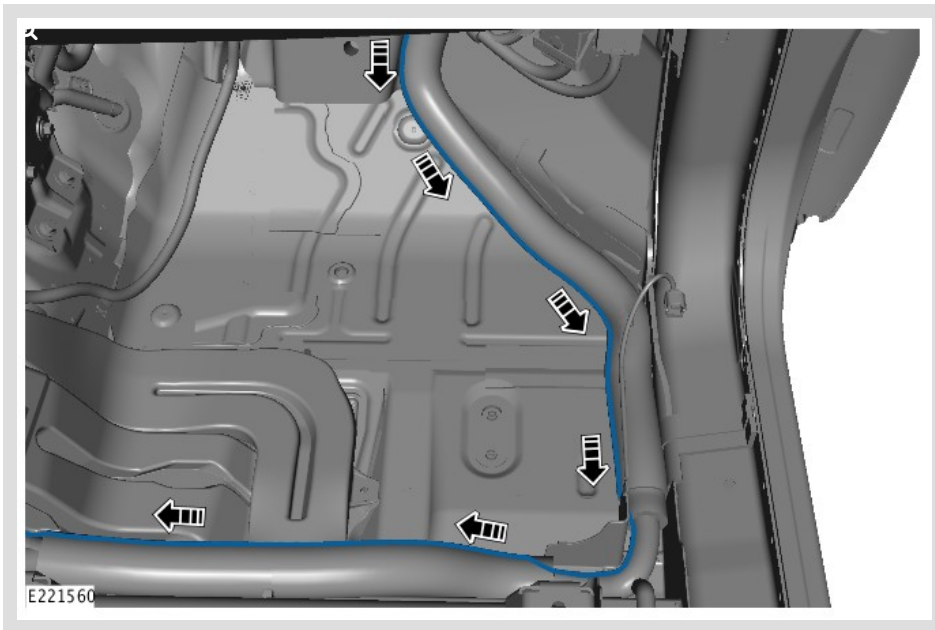
46



Release the InControl Touch Audio Head Unit (AHU) for access to the electrical connectors at the rear of the AHU.

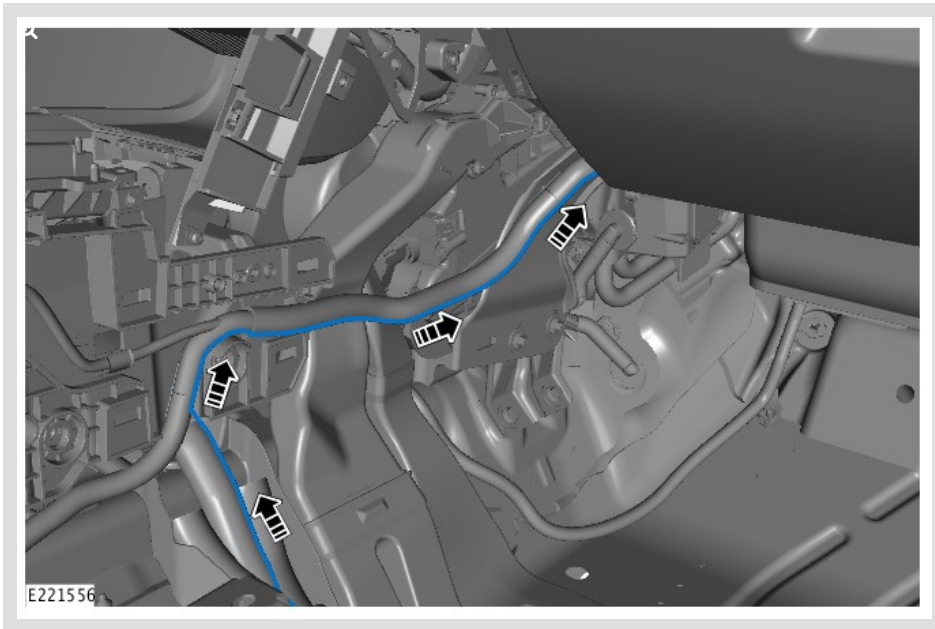
- Torque: 6 Nm

47



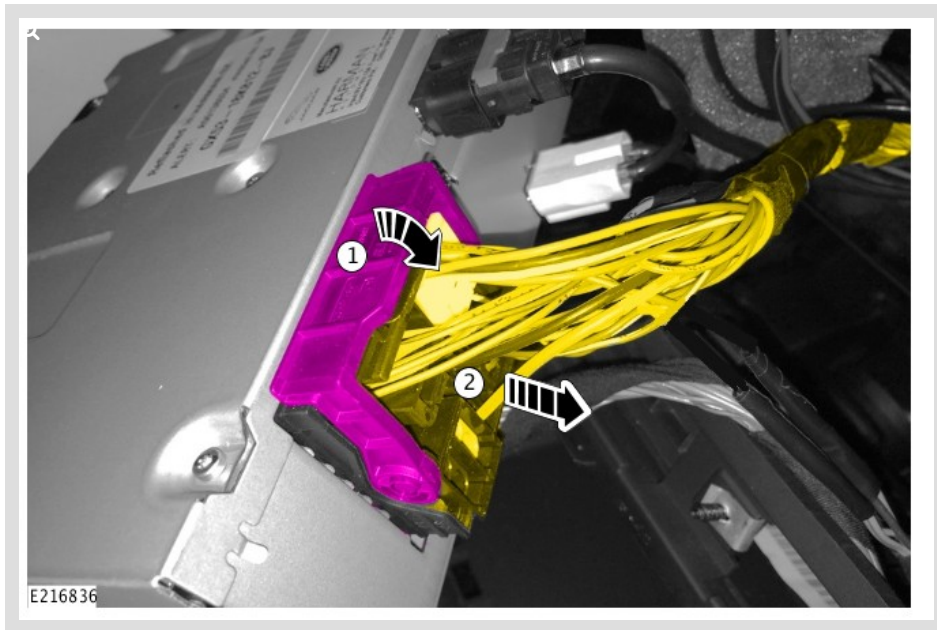
Install the overlay wiring harness along the existing wiring harness

48



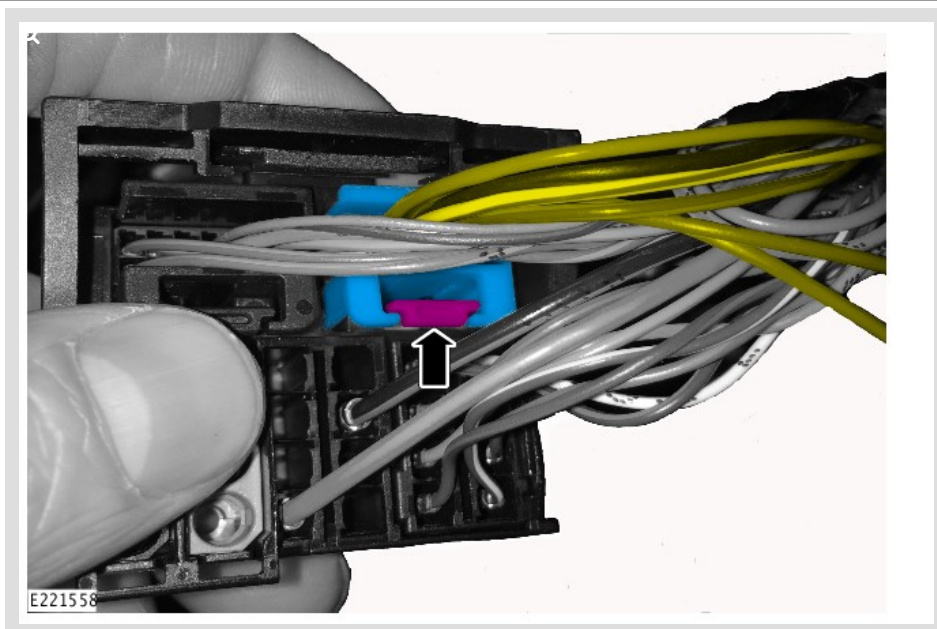
Install the overlay wiring harness along the existing wiring harness to the AHU.

49



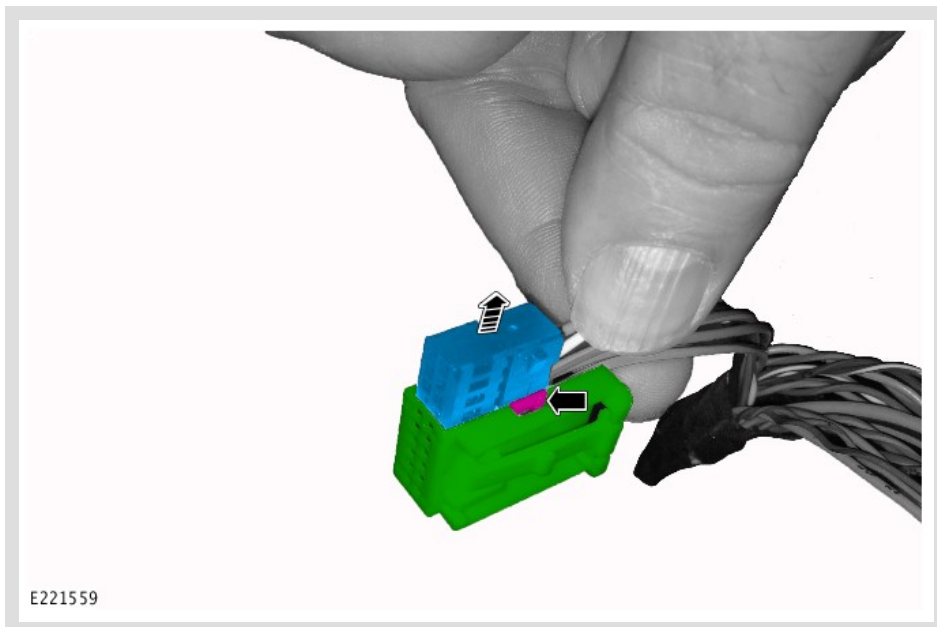
Disconnect electrical connector C2ME03A from the InControl Touch AHU (see TOPIx Electrical Information - Electrical Reference Library - C2ME03A - Audio Head Unit).

50



Remove the smaller white connector from the main electrical connector.

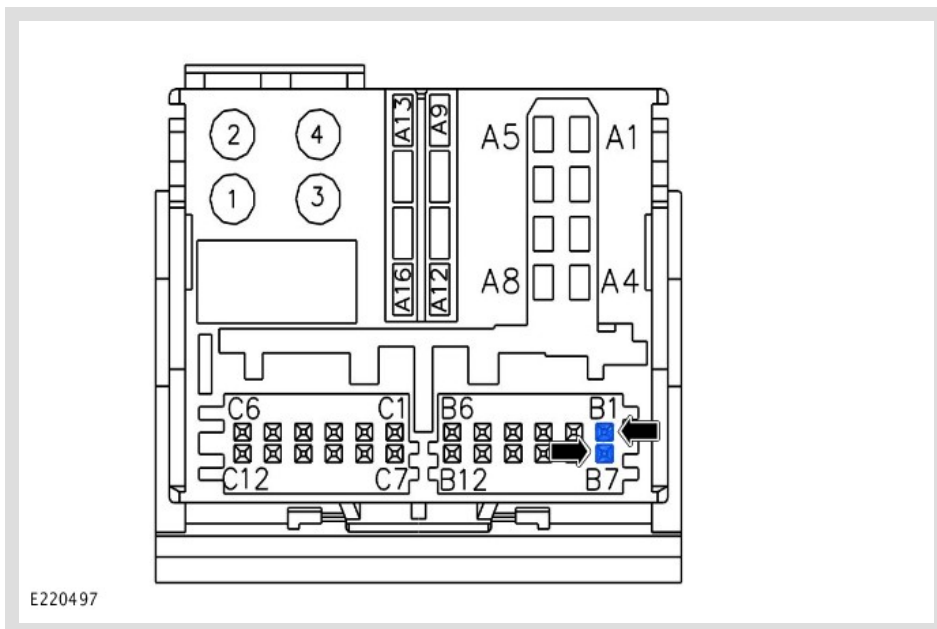
51



E221559

Remove the connectors housing.

52



E220497

De-pin the wires from cavities B1 and B7 (see TOPlx Electrical Information - Electrical Reference Library - C2ME03A - Audio Head Unit).

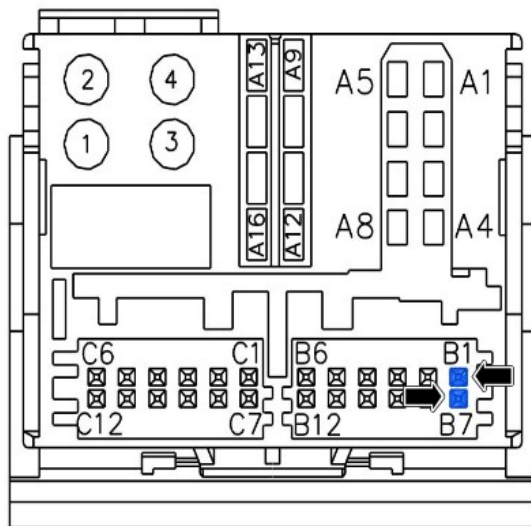
- Cavity B1 = Yellow/Green
- Cavity B7 = Blue

53

Cut the ends off the 2 de-pinned wires.

- 1 Apply heat shrink to the ends of the 2 wires.
- 2 Tape the 2 wires back alongside the main wiring harness.

54



E220497

Install the following overlay wiring harness wires into cavities B1 and B7 (see TOPIx Electrical Information - Electrical Reference Library - C2ME03A - Audio Head Unit).

- Cavity B1 = Yellow/Green
- Cavity B7 = Blue

55 Install the smaller white connector into the main electrical connector.

56 Install electrical connector C2ME03A into the AHU.

57 Reverse steps 45-49.

58

△ NOTE:

Where required: the overlay wiring harness may be taped at closer intervals to allow the overlay wiring harness to follow the existing wiring harness.



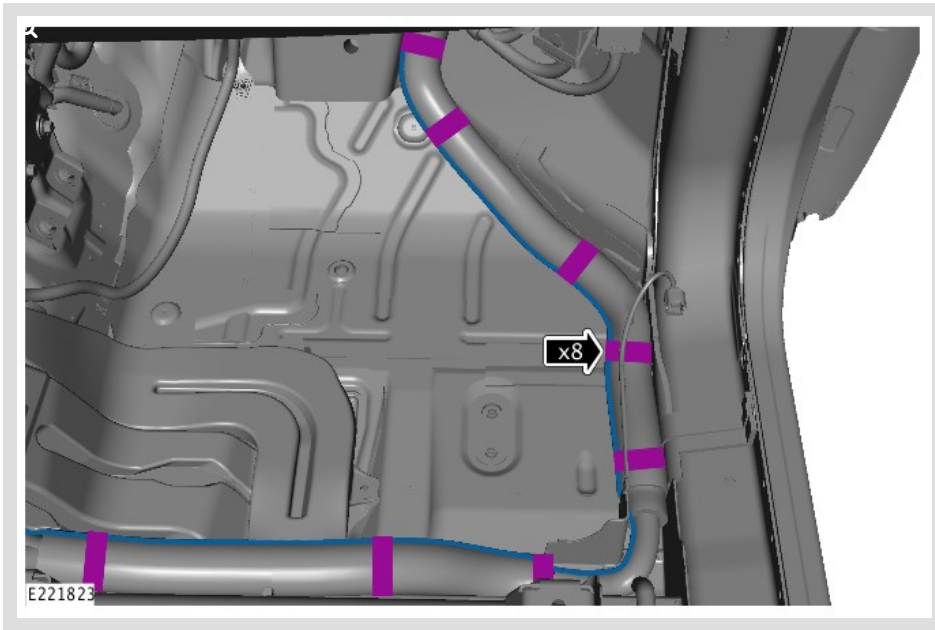
E221557

Use a suitable tape to secure the overlay wiring harness to the existing wiring harness at approximately 100mm intervals.

59

NOTE:

Where required: the overlay wiring harness may be taped at closer intervals to allow the overlay wiring harness to follow the existing wiring harness.

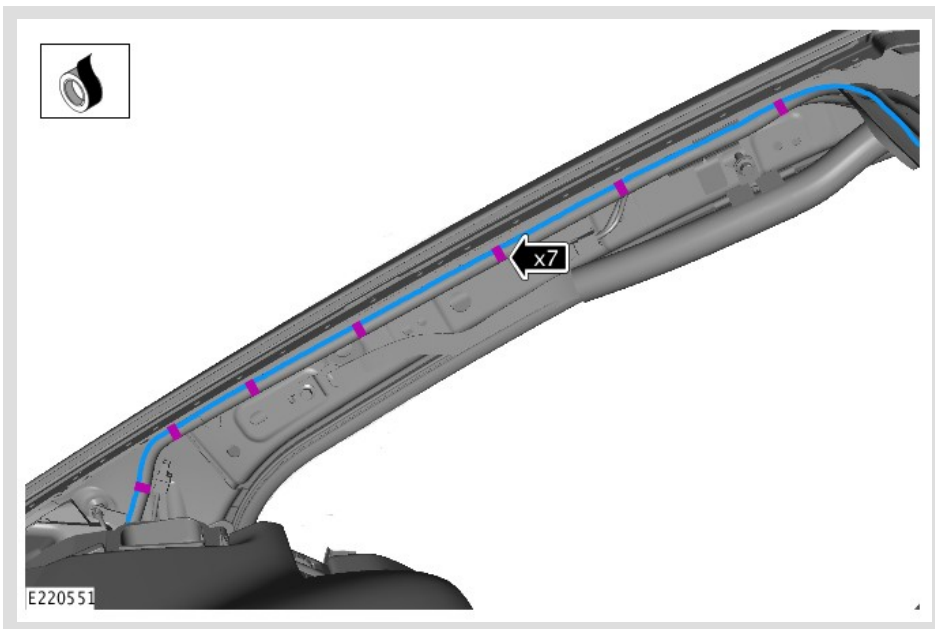


Use a suitable tape to secure the overlay wiring harness to the existing wiring harness at approximately 100mm intervals.

60

NOTE:

Where required: the overlay wiring harness may be taped at closer intervals to allow the overlay wiring harness to follow the existing wiring harness.



Use a suitable tape to secure the overlay wiring harness to the existing wiring harness at approximately 100mm intervals.

61 Install the front A-pillar trim panels (see TOPIx Workshop Manual section 501-05: Interior Trim and Ornamentation - Removal and Installation - A-Pillar Trim Panel).

62 Reverse steps 11-21.

63 Install the floor console upper section (see TOPIx Workshop Manual section 501-12: Instrument Panel and Console - Removal and Installation - Floor Console Upper Section).

64 Install the B-pillar lower trim pieces (see TOPIx Workshop Manual section 501-05: Interior Trim and Ornamentation - Removal and Installation - B-Pillar Lower Trim Panel).

65 Install both front row seats (see TOPIx Workshop Manual section 501-10: Seating - Removal and Installation - Front Row Seat).

WORKSHOP PROCEDURE 'B' - RANGE ROVER EVOQUE (L538) VEHICLES ONLY:

△ NOTES:

- Removal steps in this procedure may contain installation details.
- Parts may be shown removed for clarity.

1 Remove front row left and right seats (see TOPIx Workshop Manual section 501-10: Seating - Removal and Installation - Front Row Seat).

2 △ NOTE:

5-Door vehicles only.

Remove the B-pillar lower trim pieces (see TOPIx Workshop Manual section 501-05: Interior Trim and Ornamentation - Removal and Installation - B-Pillar Lower Trim Panel).

1 When completed, go to Step 5.

3 △ NOTE:

3-Door / Folding Top vehicles only.

Remove the rear quarter right interior trim panel (see TOPIx Workshop Manual section 501-05: Interior Trim and Ornamentation - Removal and Installation - Rear Quarter Trim Panel).

4 △ NOTE:

3-Door / Folding Top vehicles only.

Remove the cowl side trim panel (see TOPIx Workshop Manual section 501-05: Interior Trim and Ornamentation - Removal and Installation - Cowl Side Trim Panel).

5 Remove the floor console upper section (see TOPIx Workshop Manual section 501-12: Instrument Panel and Console - Removal and Installation - Floor Console Upper Section).

6 Remove the front overhead console (see TOPIx Workshop Manual section 501-12: Instrument Panel and Console - Removal and Installation - Front Overhead Console).

- 7 Remove the A-pillar trim panels (see TOPIx Workshop Manual section 501-05: Interior Trim and Ornamentation - Removal and Installation - A-Pillar Trim Panel).

8  NOTE:

This step must be completed on both sides of the vehicle.

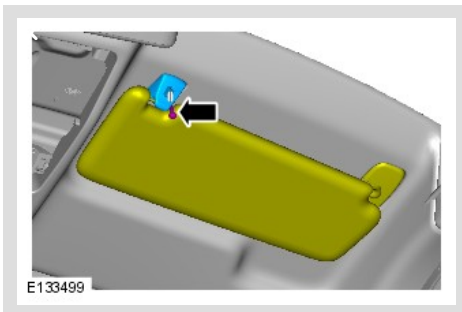


Remove the fastener.

- Torque: 6 Nm

9  NOTE:

This step must be completed on both sides of the vehicle.

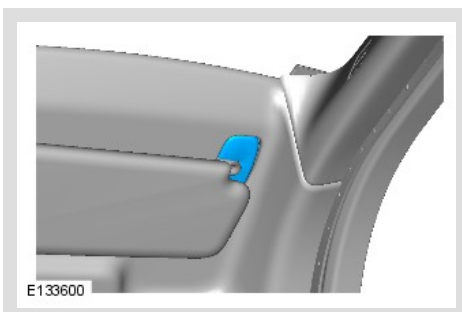


Remove the sun visor mount.

- Torque: 6 Nm

10  NOTE:

This step must be completed on both sides of the vehicle.

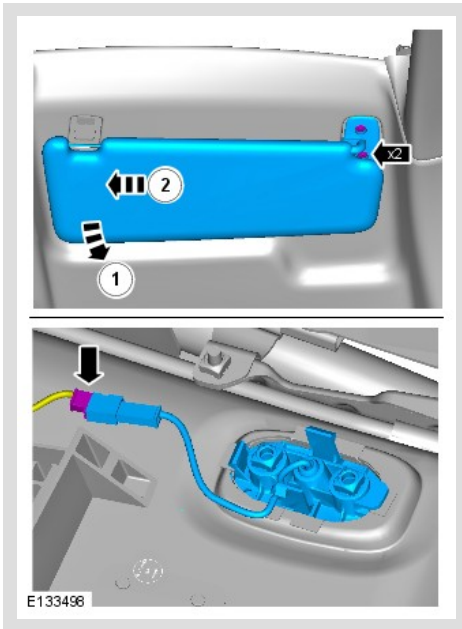


Remove the trim.

11

NOTE:

This step must be completed on both sides of the vehicle.



Remove the sun visor.

- Torque: 6 Nm

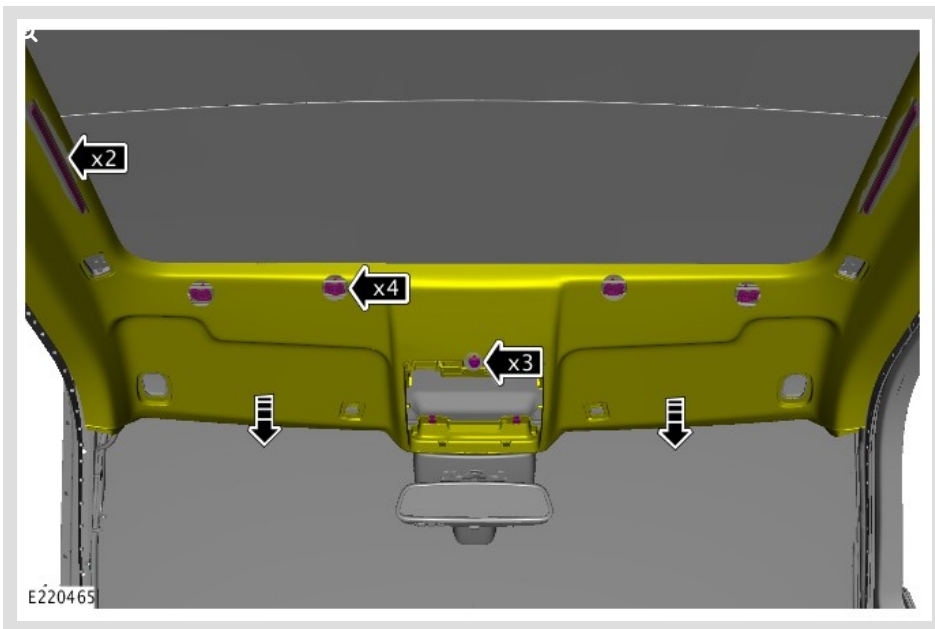
12

CAUTION:

Make sure damage is not caused to the headliner.

NOTE:

3-Door / 5-Door vehicles only.

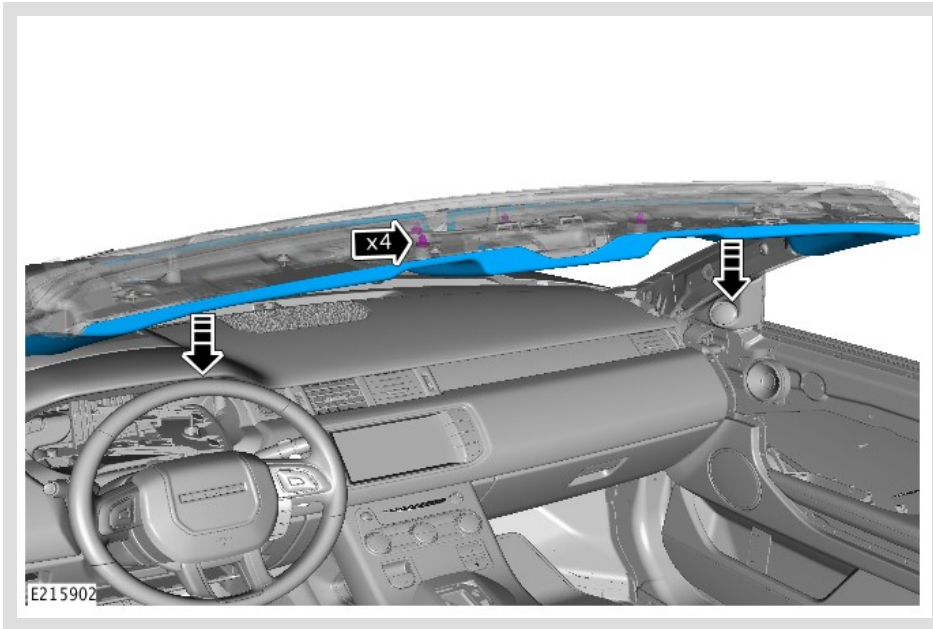


Lower the front of the headliner

13

△ NOTE:

Folding Top vehicles only.

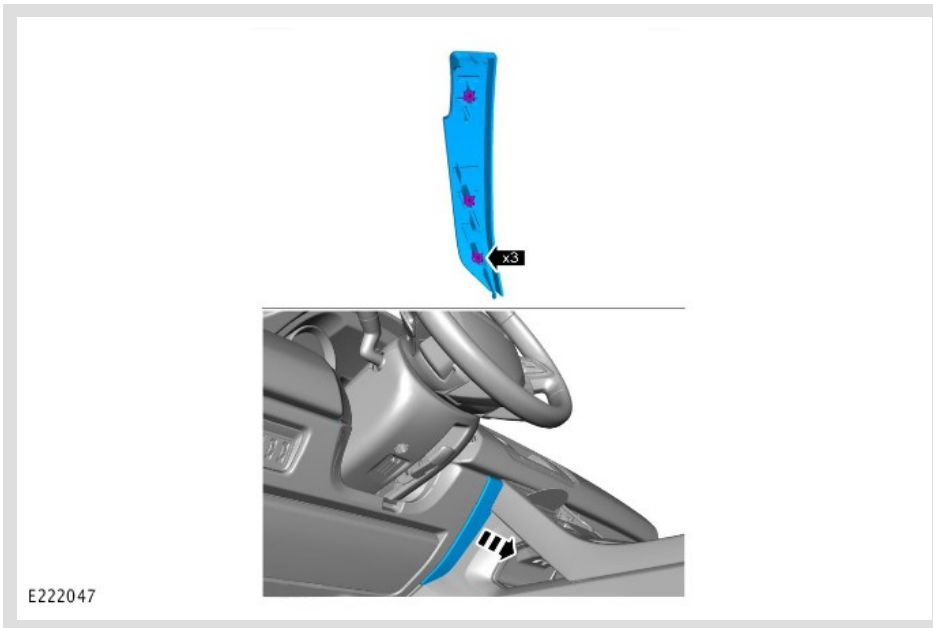


Remove the headliner.

14

△ NOTE:

This step must be completed on both sides of the vehicle.

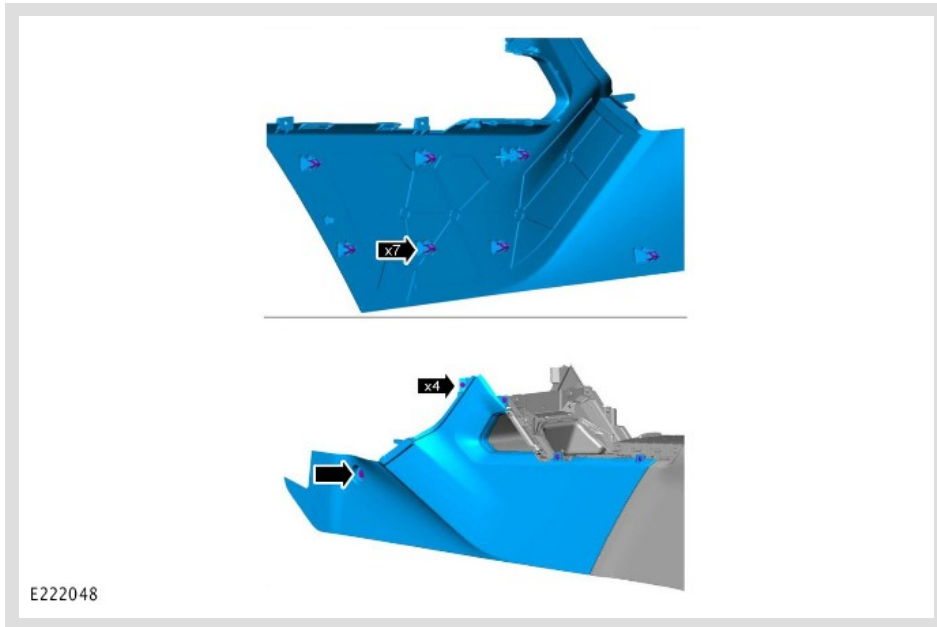


Remove the trim.

15

△ NOTE:

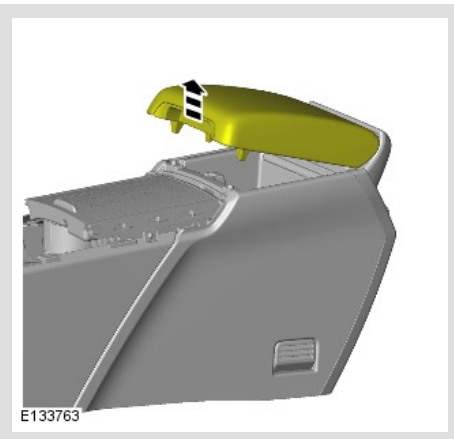
This step must be completed on both sides of the vehicle.



Remove the trim.

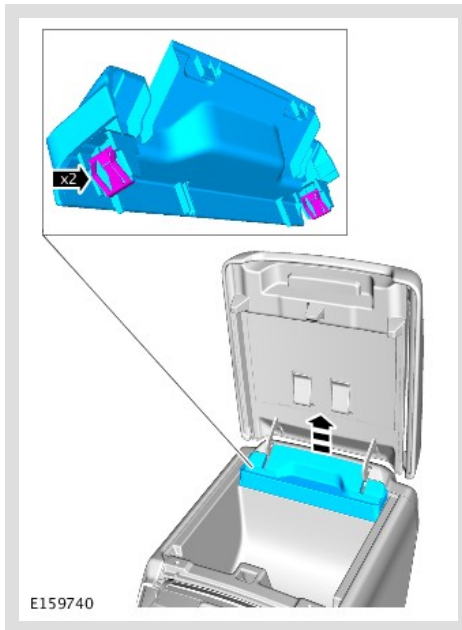
- Torque (17 mm): 1.9 Nm
- Torque (13 mm): 1.1 Nm

16



Open the floor console stowage compartment lid.

17



Remove the trim.

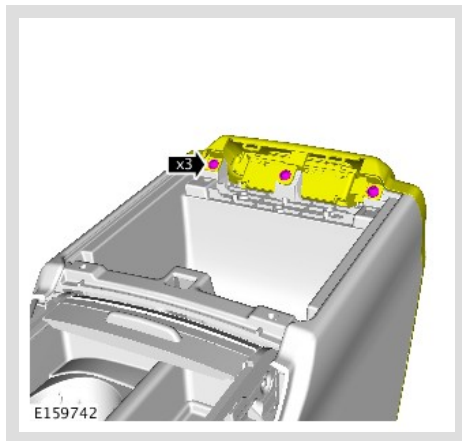
18



Remove the floor console storage compartment lid.

■ Torque: 6 Nm

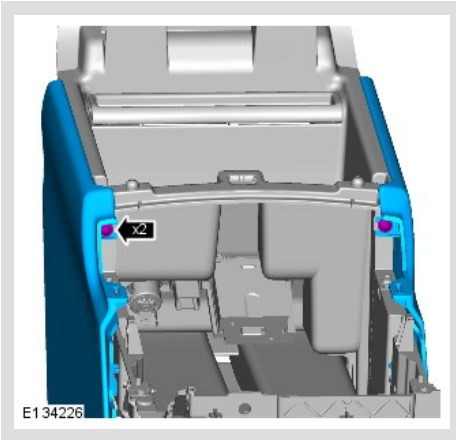
19



Release the floor console rear trim.

■ Torque: 1.5 Nm

20



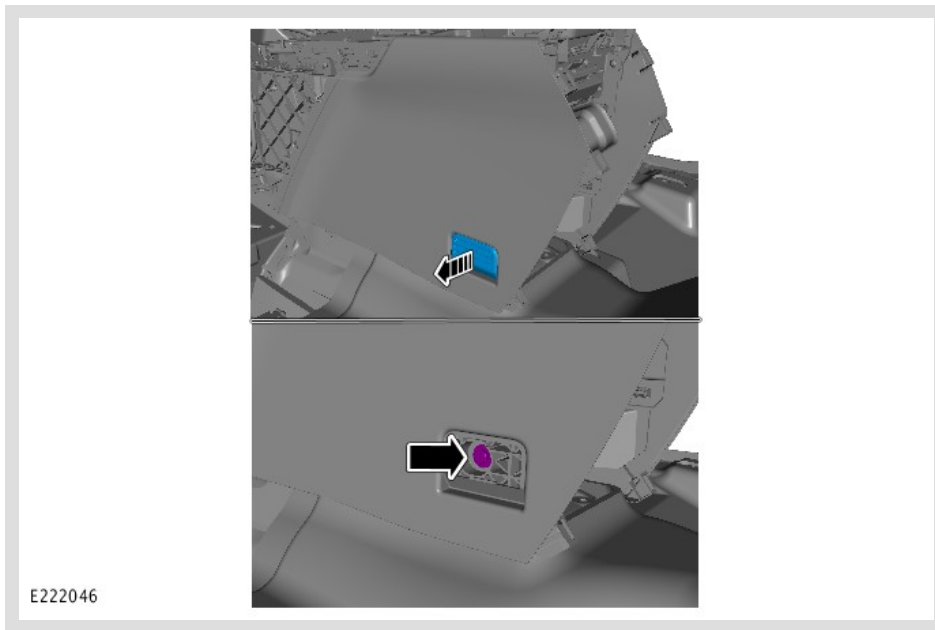
Remove the floor console side trim fasteners.

- Torque: 1.5 Nm

21

△ NOTE:

This step must be completed on both sides of the vehicle.



Remove the floor console side trim cover and fastener.

- Torque: 6 Nm

22

△ NOTE:

This step must be completed on both sides of the vehicle.

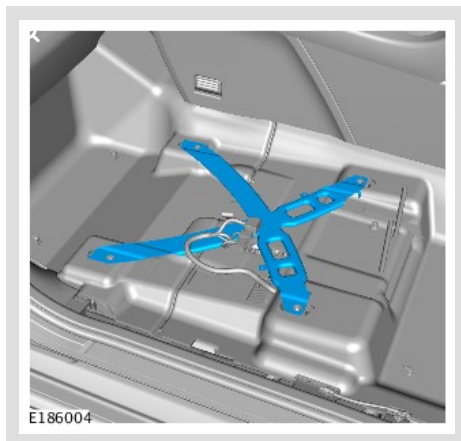


Remove the floor console side trim.

23

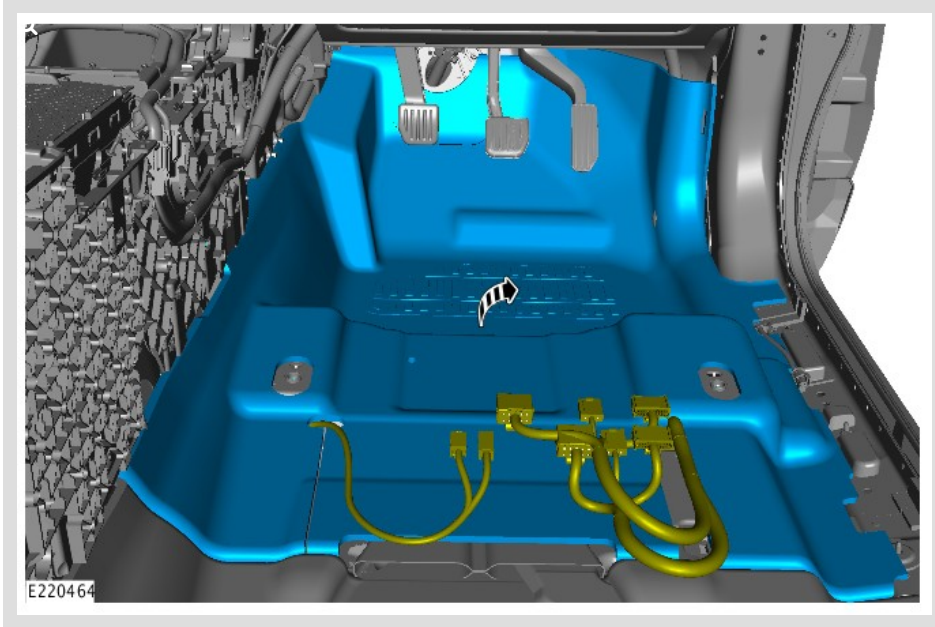
NOTE:

Folding Top vehicles only.



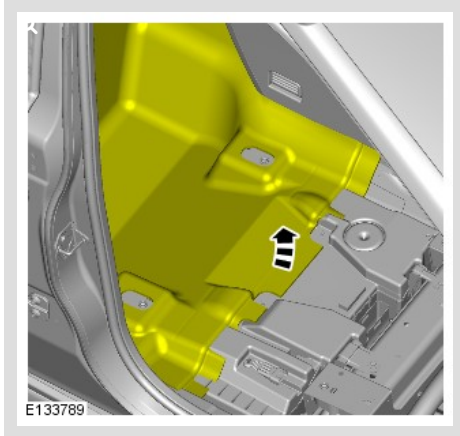
Remove the floor reinforcement panel.

24



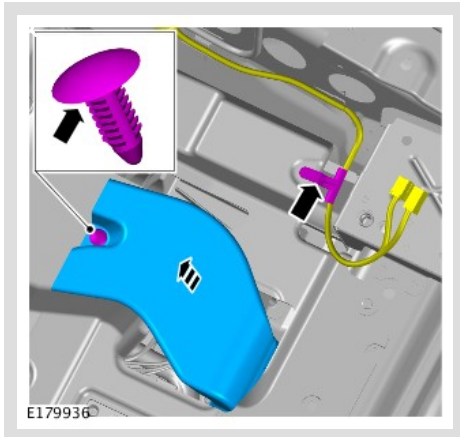
Remove the front right floor carpet.

25



Position to one side the second row right floor carpet.

26



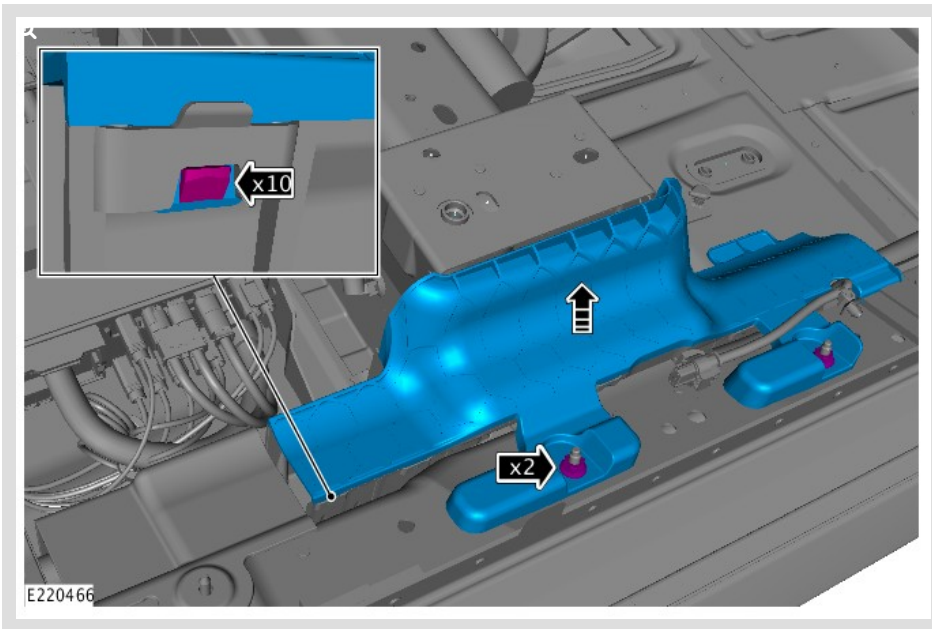
Remove the duct and release the wiring harness.

27



Remove the front right floor carpet bracket.

28



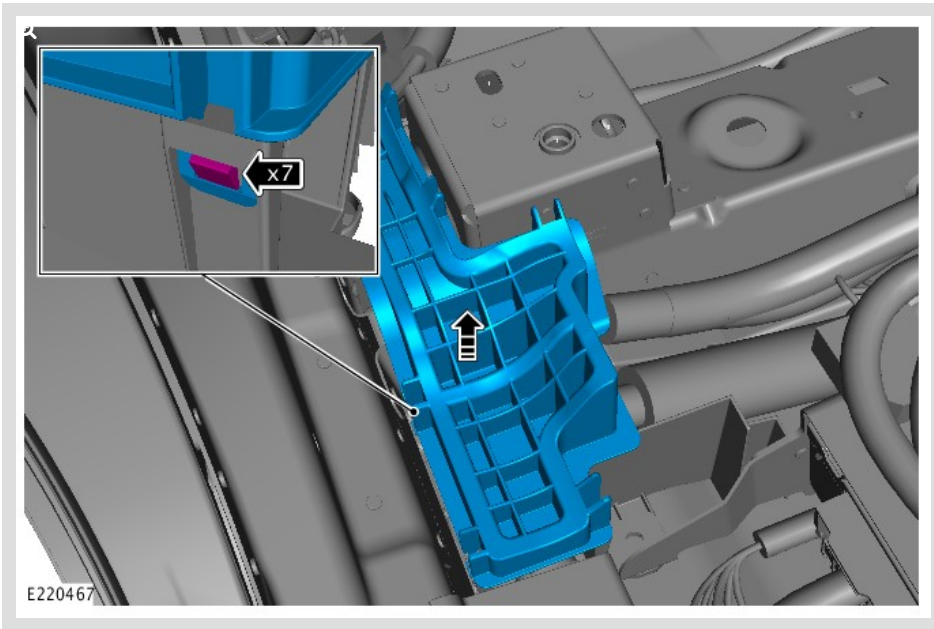
Remove the cover from the wiring harness channel.

- Torque: 9 Nm

29

△ NOTE:

InControl Touch Pro vehicles only.



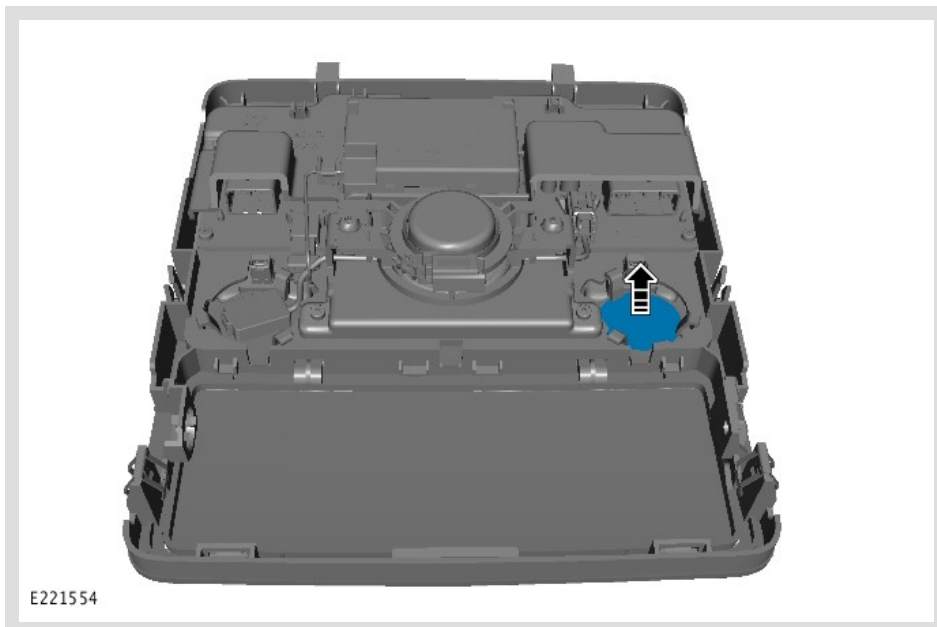
Remove the cover from the wiring harness channel.

30



Use a suitable tool to remove the locating tab from the new microphone.

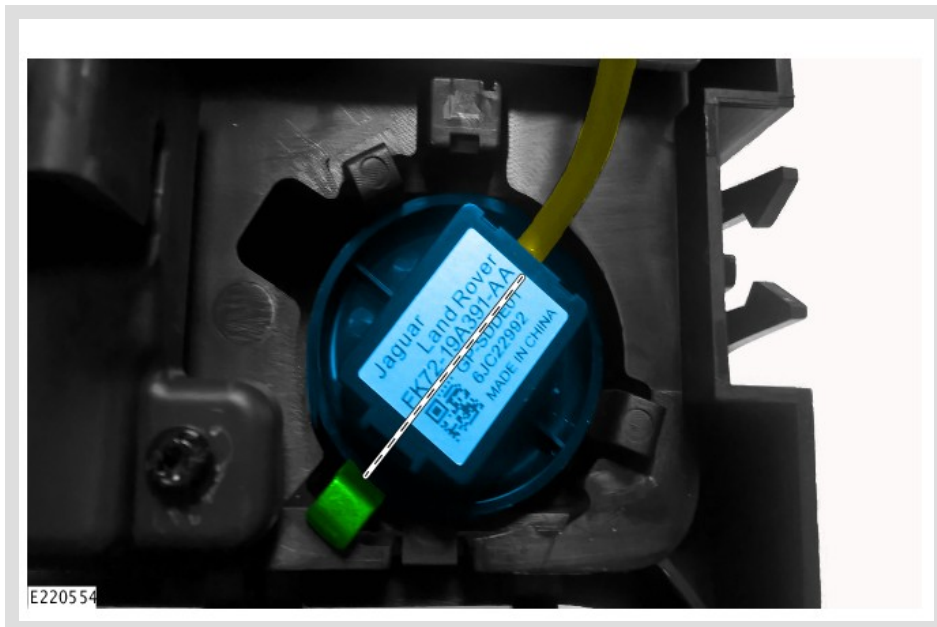
31



E221554

Remove the foam from the empty front overhead console microphone space.

32



E220554

Install the new microphone in the front overhead console.

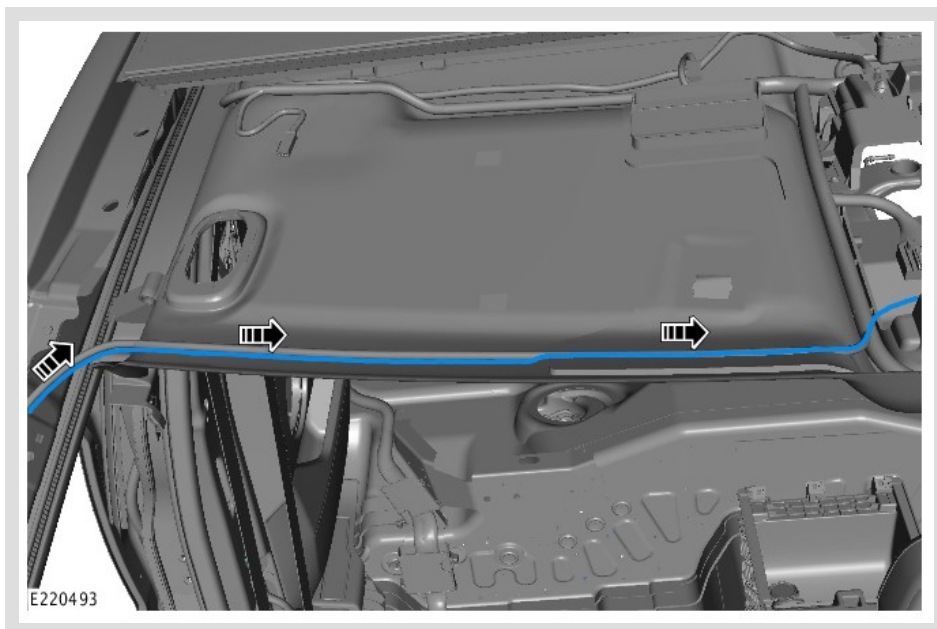
- 1 Align the microphone as shown.

33



Route the microphone wiring as shown.

34



Install the overlay harness above the headliner towards the front overhead console.

- 1 Connect the overlay harness to the new microphone connector.
- 2 Use a suitable tape to secure the new microphone connector in place.

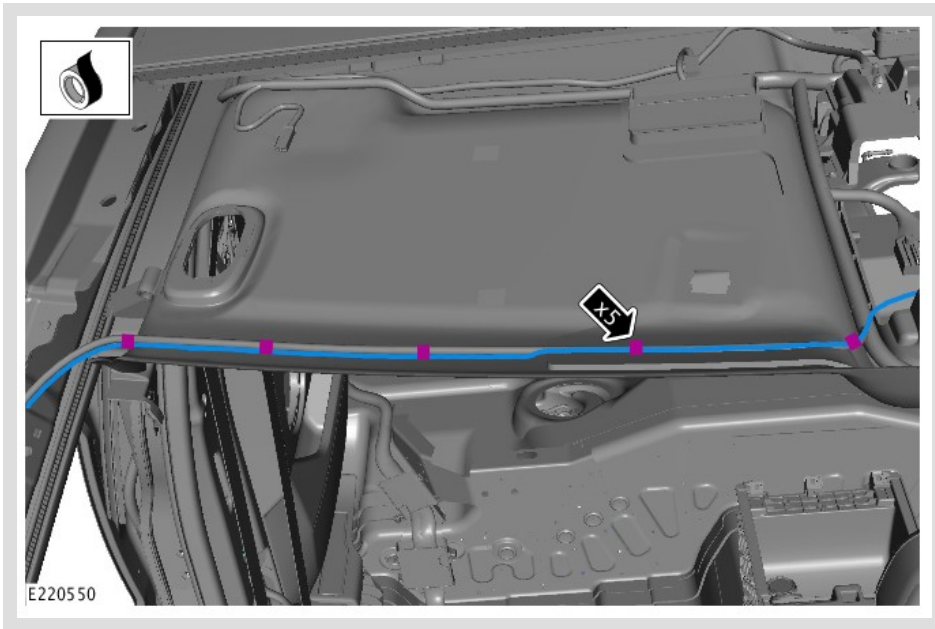
35

Install the front overhead console (see TOPIx Workshop Manual section 501-12: Instrument Panel and Console - Removal and Installation - Front Overhead Console).

36

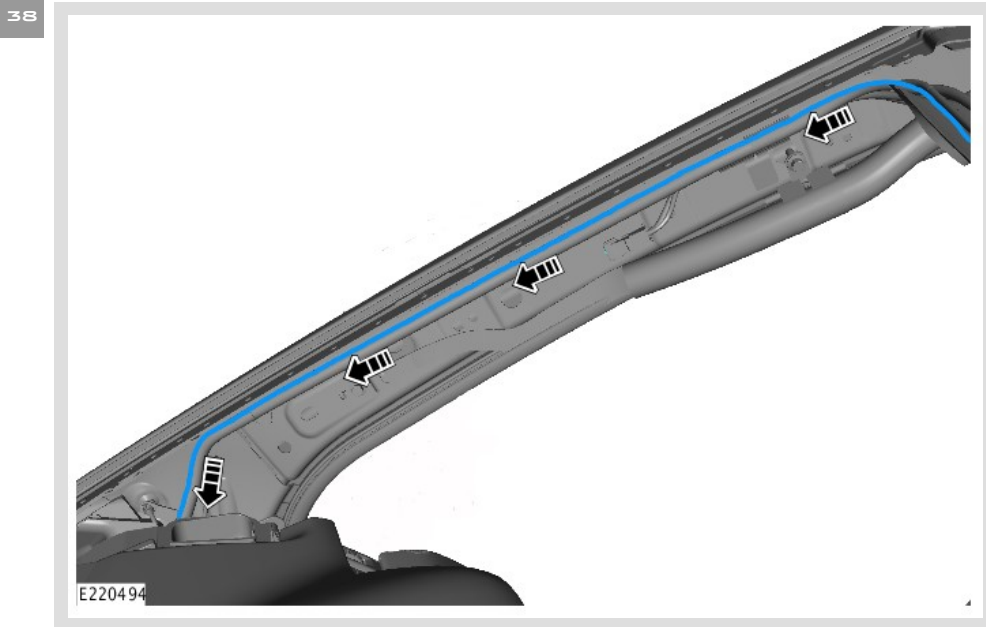
NOTE:

Where required: the overlay wiring harness may be taped at closer intervals to allow the overlay wiring harness to follow the existing wiring harness.



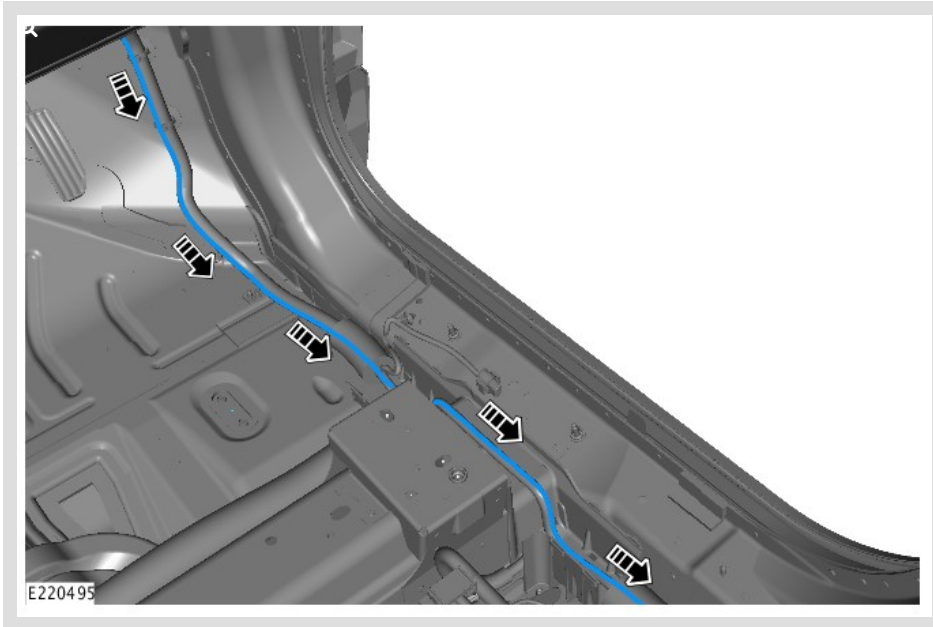
Use a suitable tape to secure the overlay wiring harness to the existing wiring harness at approximately 100mm intervals.

37 Reverse Steps 8-13 to install the headliner.



Install the overlay harness along the right A-pillar and behind the instrument panel.

39

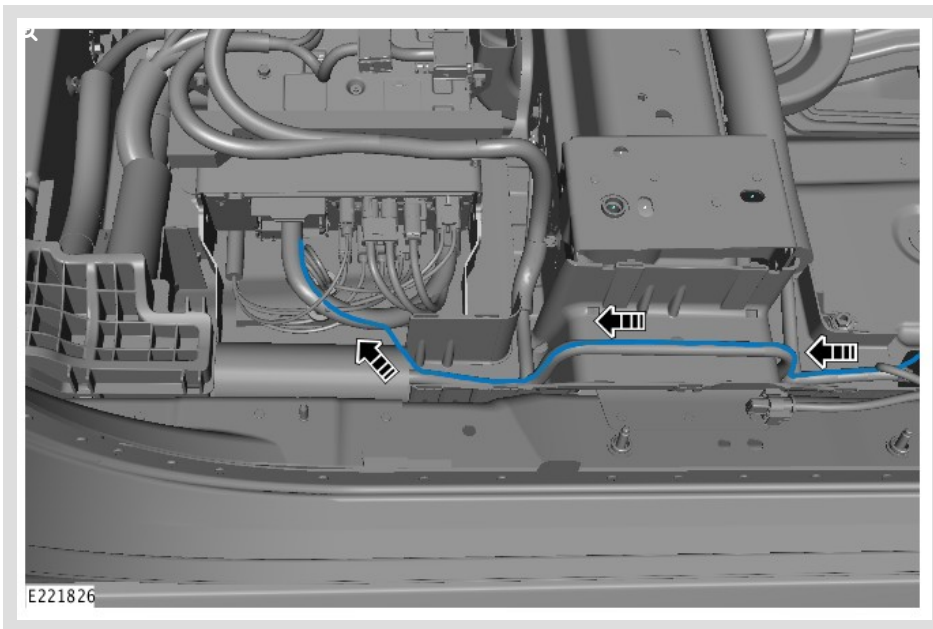


Install the overlay harness along the existing harness.

- 1 Vehicles with InControl Touch Pro: go to Step 50.
- 2 Vehicles with InControl Touch: go to the next Step.

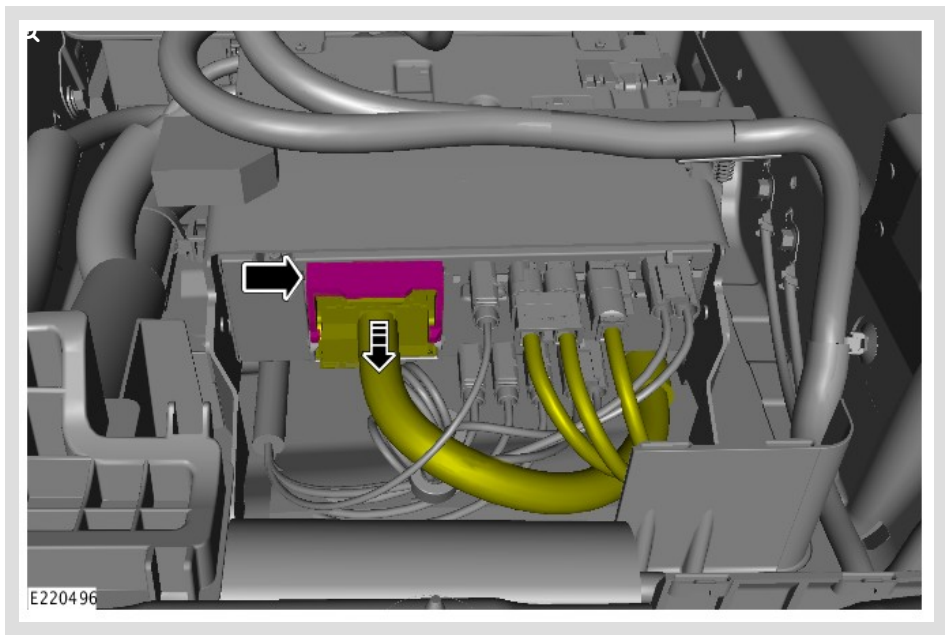
Steps 40-49: InControl Touch Vehicles Only

40



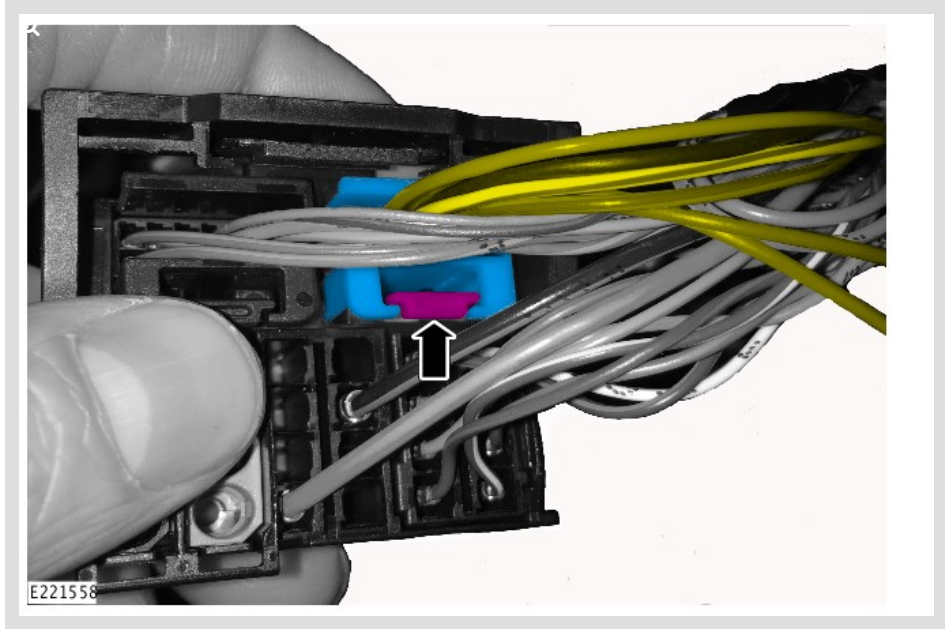
Install the overlay harness along the existing harness toward the Audio Head Unit (AHU).

41



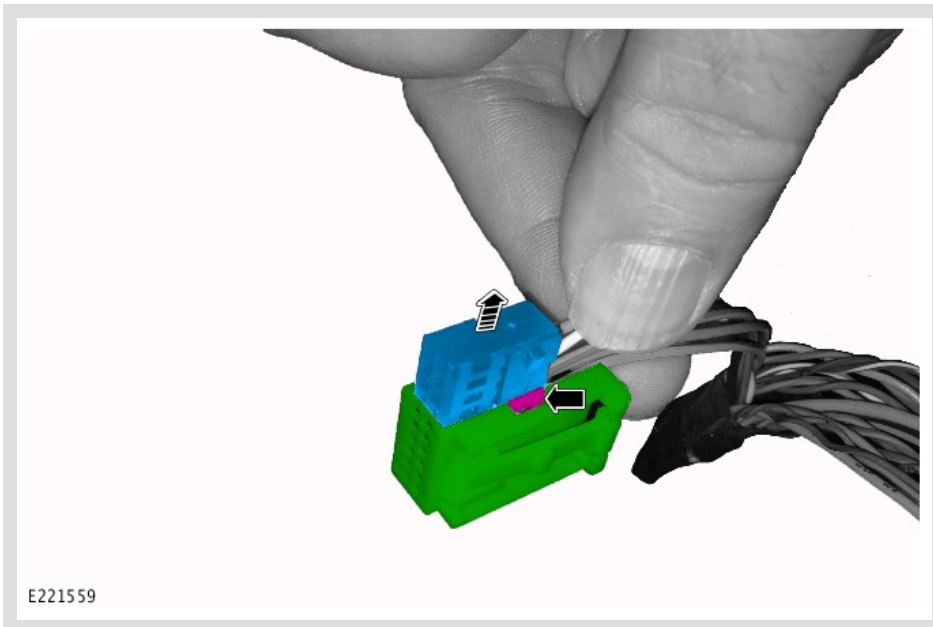
Disconnect connector C4ME03A from the AHU (see TOPIx Electrical Information - Electrical Reference Library - C4ME03A - Audio Head Unit).

42



Remove the smaller white connector from the main electrical connector.

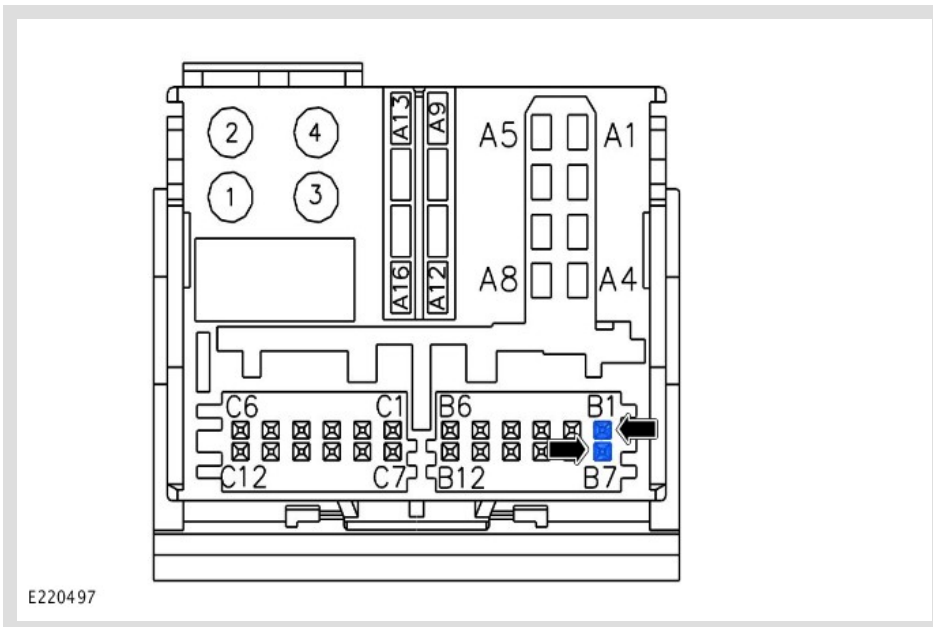
43



E221559

Remove the connectors housing.

44



E220497

De-pin the wires from cavities B1 and B7 (see TOPlx Workshop Manual section 418-02: Wiring Harness - Description and Operation - Wiring Harness).

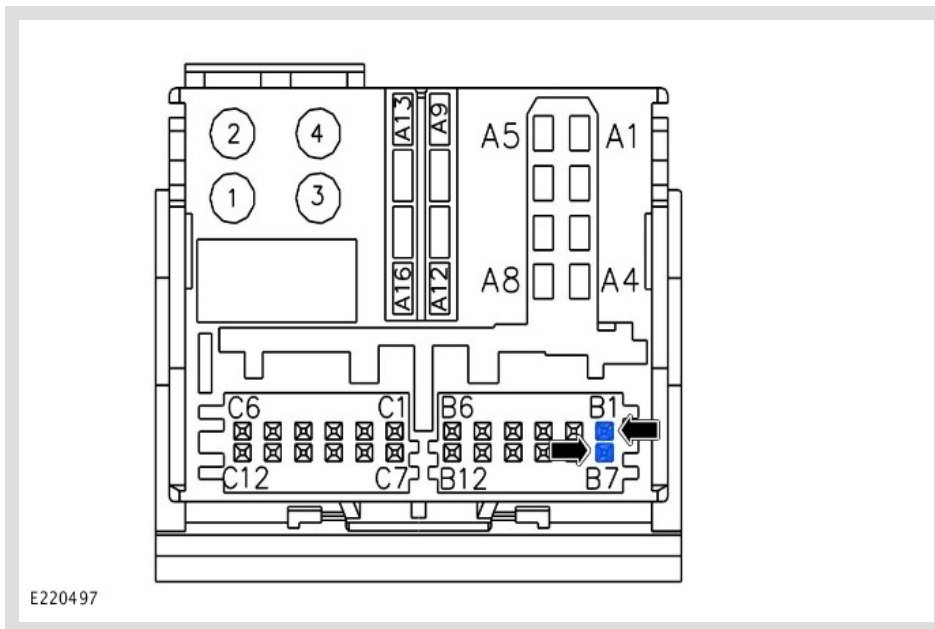
- Cavity B1 = Yellow/Green
- Cavity B7 = Blue

45

Cut the ends off the 2 de-pinned wires.

- 1 Apply heat shrink to the ends of the 2 wires.
- 2 Tape the 2 wires back alongside the main wiring harness.

46



Install the following overlay wiring harness wires into cavities B1 and B7 (see TOPIx Workshop Manual section 418-02: Wiring Harness - Description and Operation - Wiring Harness).

- Cavity B1 = Yellow/Green
- Cavity B7 = Blue

47

Install the smaller white connector into the main electrical connector.

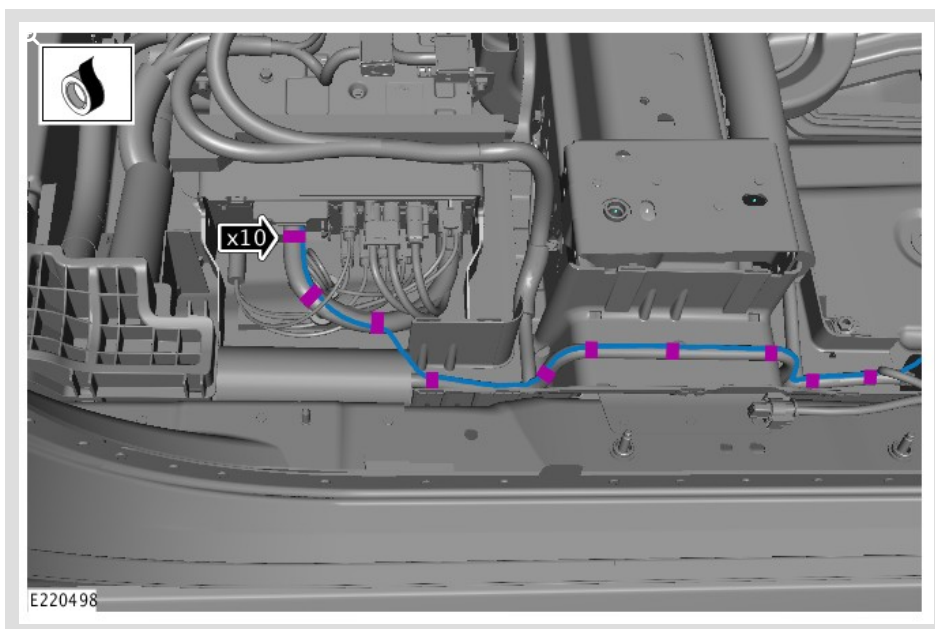
48

Install electrical connector C4ME03A into the AHU.

49

△ NOTE:

Where required: the overlay wiring harness may be taped at closer intervals to allow the overlay wiring harness to follow the existing wiring harness.

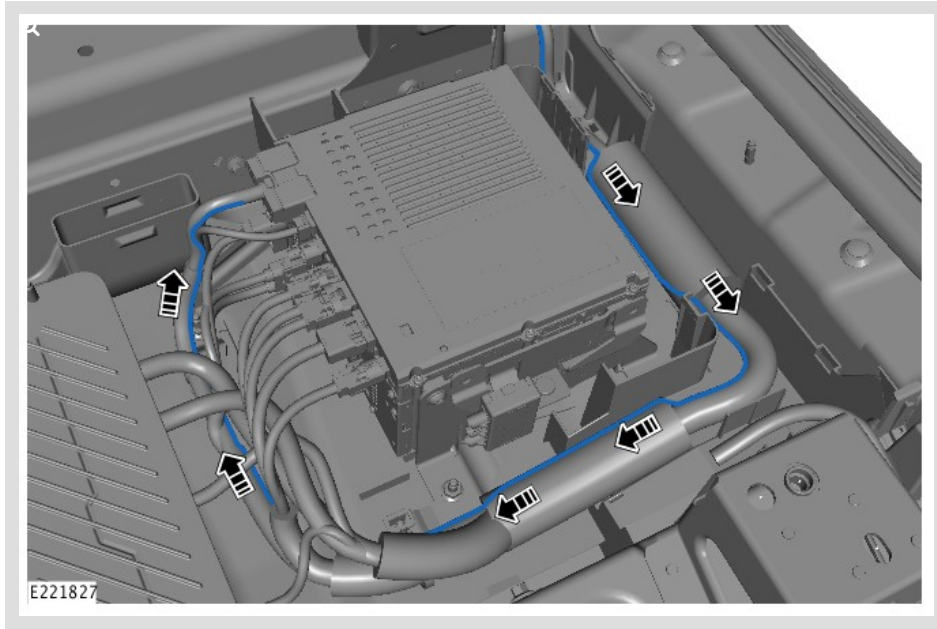


Use a suitable tape to secure the overlay wiring harness to the existing wiring harness at approximately 100mm intervals.

- 1 When completed, go to Step.

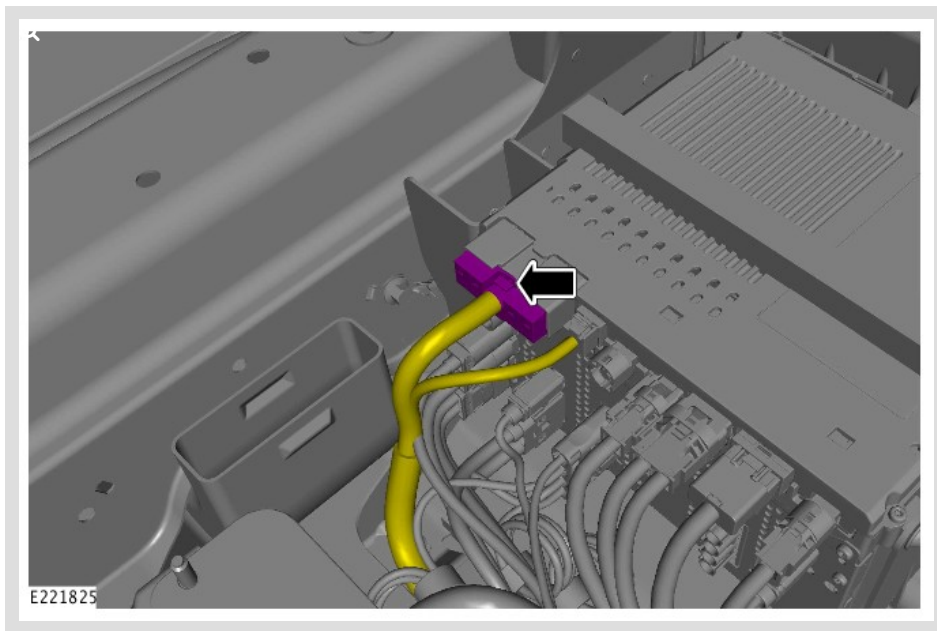
Steps 50-57: InControl Touch Pro Vehicles Only

50



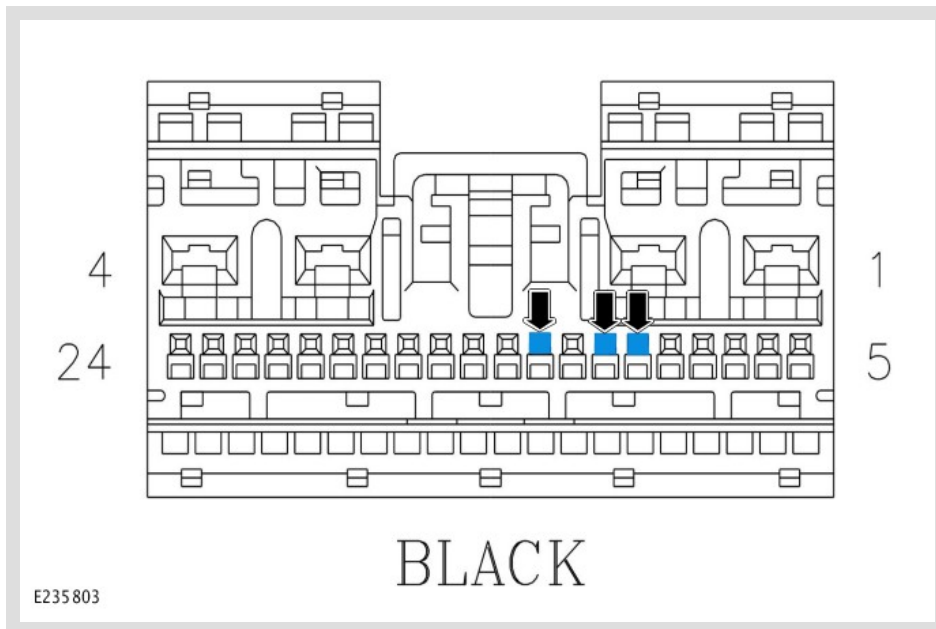
Install the overlay harness along the existing harness

51



Disconnect connector C4MA01A from the Infotainment Master Controller (IMC [see TOPIx Electrical Information - Electrical Reference Library - C4MA01A - Controller -Master-Infotainment]).

52



De-pin the wires from cavities 10, 11, and 13 (see TOPIx Workshop Manual section 418-02: Wiring Harness - Description and Operation - Wiring Harness).

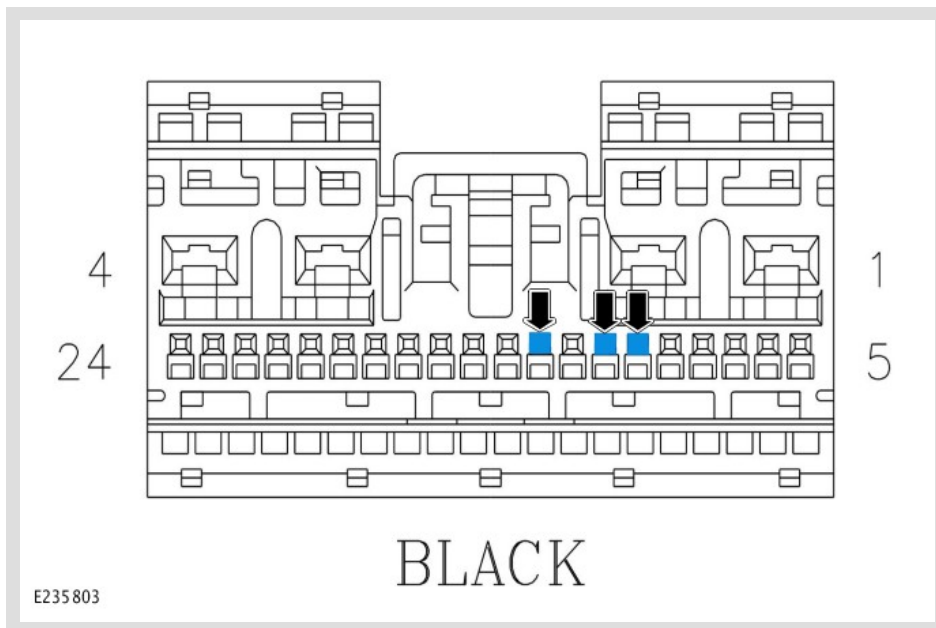
- **Cavity 10 = Yellow/Green**
- **Cavity 11 = Blue**
- **Cavity 13 = White**

53

Cut the ends off the 3 de-pinned wires.

- 1 Apply heat shrink to the ends of the 3 wires.
- 2 Tape the 3 wires back alongside the main wiring harness.

54



Install the following overlay wiring harness wires into cavities 10, 11, and 13 (see TOPIx Workshop Manual section 418-02: Wiring Harness - Description and Operation - Wiring Harness).

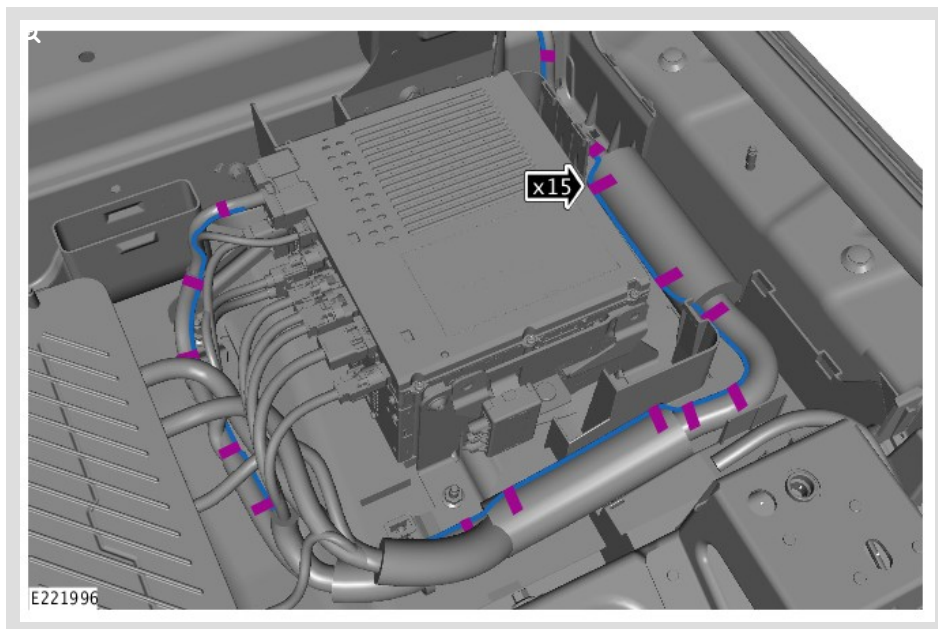
- **Cavity 10 = Yellow/Green**
- **Cavity 11 = Blue**

■ Cavity 13 = White

55 Install electrical connector C4MA01A into the IMC.

56  NOTE:

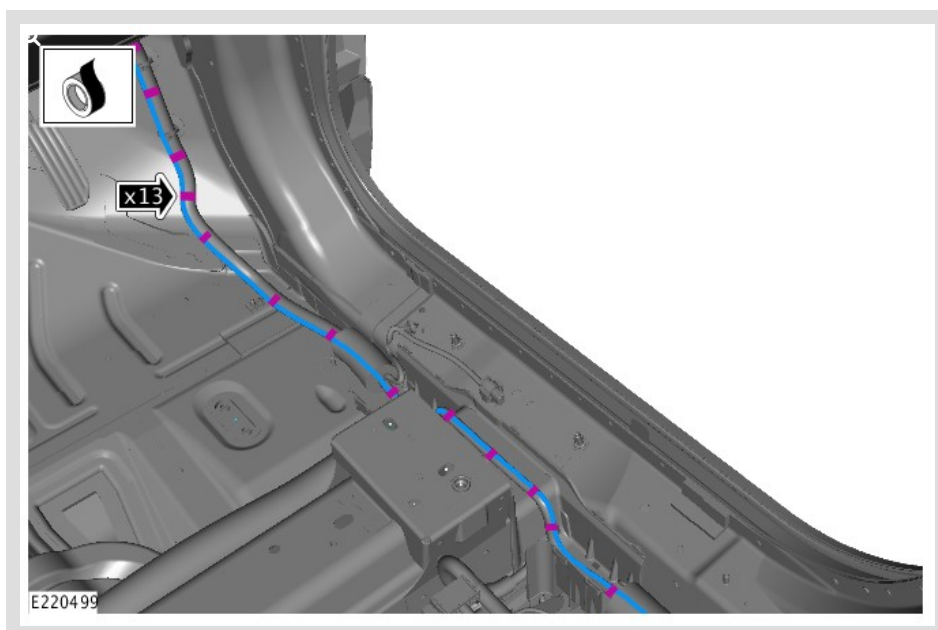
Where required: the overlay wiring harness may be taped at closer intervals to allow the overlay wiring harness to follow the existing wiring harness.



Use a suitable tape to secure the overlay wiring harness to the existing wiring harness at approximately 100mm intervals.

57  NOTE:

Where required: the overlay wiring harness may be taped at closer intervals to allow the overlay wiring harness to follow the existing wiring harness.

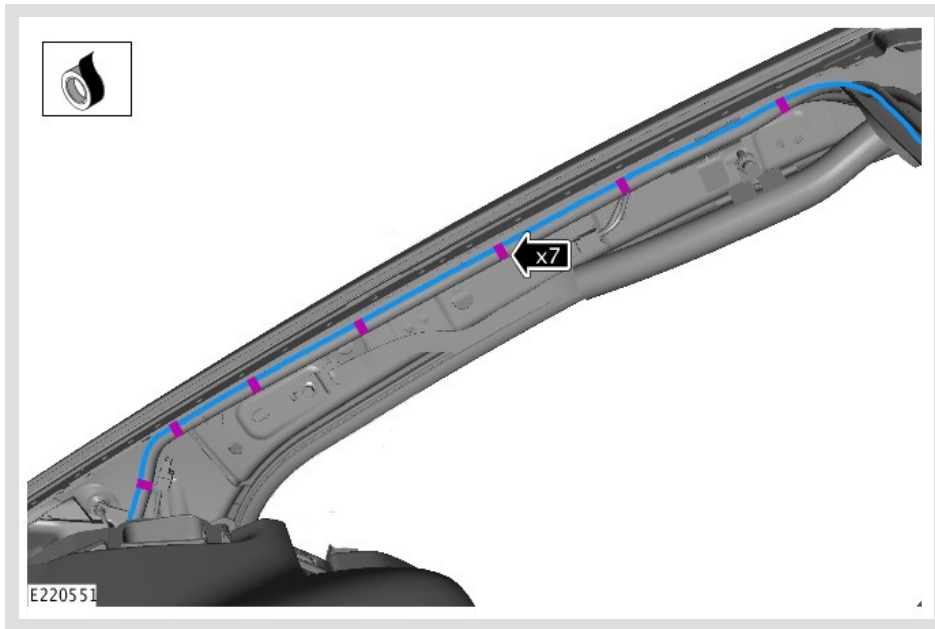


Use a suitable tape to secure the overlay wiring harness to the existing wiring harness at approximately 100mm intervals.

58

NOTE:

Where required: the overlay wiring harness may be taped at closer intervals to allow the overlay wiring harness to follow the existing wiring harness.



Use a suitable tape to secure the overlay wiring harness to the existing wiring harness at approximately 100mm intervals.

59

Install the front A-pillar trim panels (see TOPIx Workshop Manual section 501-05: Interior Trim and Ornamentation - Removal and Installation - A-Pillar Trim Panel).

60

Reverse steps 14-29.

61

Install the floor console upper section (see TOPIx Workshop Manual section 501-12: Instrument Panel and Console - Removal and Installation - Floor Console Upper Section).

62

NOTE:

5-Door vehicles only.

Install the B-pillar lower trim pieces (see TOPIx Workshop Manual section 501-05: Interior Trim and Ornamentation - Removal and Installation - B-Pillar Lower Trim Panel).

1 When completed, go to Step 65

63

NOTE:

3-Door / Folding Top vehicles only.

Install the rear quarter right interior trim panel (see TOPIx Workshop Manual section 501-05: Interior Trim and Ornamentation - Removal and Installation - Rear Quarter Trim Panel).

64

NOTE:

3-Door / Folding Top vehicles only.

Install the cowl side trim panel (see TOPIx Workshop Manual section 501-05: Interior Trim and Ornamentation - Removal and Installation - Cowl Side Trim Panel).

65 Install both front row seats (see TOPIx Workshop Manual section 501-10: Seating - Removal and Installation - Front Row Seat).