



N226 UPS7518-4bNAS1

# TECHNICAL BULLETIN

03 OCT 2018

© Jaguar Land Rover North America, LLC

NOTE: The information in Technical Bulletins is intended for use by trained, professional Technicians with the knowledge, tools, and equipment required to do the job properly and safely. It informs these Technicians of conditions that may occur on some vehicles, or provides information that could assist in proper vehicle service. The procedures should not be performed by 'do-it-yourselfers'. If you are not a Retailer, do not assume that a condition described affects your vehicle. Contact an authorized Land Rover service facility to determine whether this bulletin applies to a specific vehicle.

## INFORMATION

### SECTION:

501-14

### SUBJECT/CONCERN:

Update Prior to Sale: Hood Release Cable May Not Function Correctly

### AFFECTED VEHICLE RANGE:

MODEL:	MODEL YEAR:	VIN:
Discovery (LR)	2017-2018	000184-077150

### MARKETS:

NORTH AMERICA

### CONDITION SUMMARY:

#### SITUATION:

An issue has been identified on certain Land Rover vehicles within the listed Affected Vehicle Range where when the hood release lever is pulled, the lever reaches the limit of travel and the hood may not release.

#### ACTION:

Retailers are required to HOLD affected new vehicles that are within your control and refrain from releasing the vehicles for new vehicle sale pending completion of the Workshop Procedure detailed in this Technical Bulletin. Unsold vehicles should have this performed as part of the Pre-Delivery Inspection (PDI) process but must have it completed prior to vehicle handover to the customer.

This program does not apply to any vehicle already registered and in use, either with the retailer or customer. Any vehicle already in use may continue to be driven and any repair instructions deemed necessary will be communicated through a separate bulletin.

**PARTS:**

**NOTE:**

Order only the expected percentage demand of parts as identified.

DESCRIPTION	PART NUMBER/SUNDRY CODE	QUANTITY/VALUE	EXPECTED PERCENTAGE DEMAND
Hood release cable	LR12181713		

**SPECIAL TOOLS:**

Refer to TOPIx Workshop Manual/Workshop Procedure for any required special tools.

**WARRANTY:**

**NOTE:**

Use the Jaguar Land Rover claims submission system to make sure that a vehicle is affected by this program prior to undertaking any rework action.

At the time of confirming a booking for vehicle repair, make sure that all open Recall and Service Actions are identified to make sure the correct parts are available and adequate workshop time is allocated for repairs to be completed at one visit.

Warranty claims must be submitted quoting the Program Code and the relevant Option Code; this will result in payment of the stated time. The SRO and parts information is included for information only. The Option Code(s) that allows for the drive in/drive out allowance may only be claimed if the vehicle is brought back into the workshop for this action alone to be undertaken.

Repair procedures are under constant review and therefore times / prices are subject to change; those quoted here must be taken as guidance only. Use the Jaguar Land Rover claims submission system to obtain the latest repair time.

This program is valid for a limited time only. Warranty claims with a repair date prior to the August 10, 2019, closure date must be submitted for payment within 30 calendar days of completion of the repair.

PROGRAM CODE	OPTION CODE	DESCRIPTION	SRO	TIME (HOURS)	PART NUMBER/SUNDRY CODE	QUANTITY/VALUE
N226B	0	Open hood inspection; no further action	05.10.100.1	--	N226C	Open hood inspection; no further action
		Drive in/drive out	05.10.10			
	02.02.020.1					
	0.2-					
	--					
		-N226D	Open hood inspection			
		Hood release cable - Renew	05.10.10			
			76.16.310.1			
	0.5-					
		LR121817-				
		1N226E	Open hood inspection			
		Hood release cable - Renew				
		Drive in/drive out	05.10.10			
			76.16.31			
	02.02.020.1					
	0.5					
	0.2-					
		LR121817				
	--					

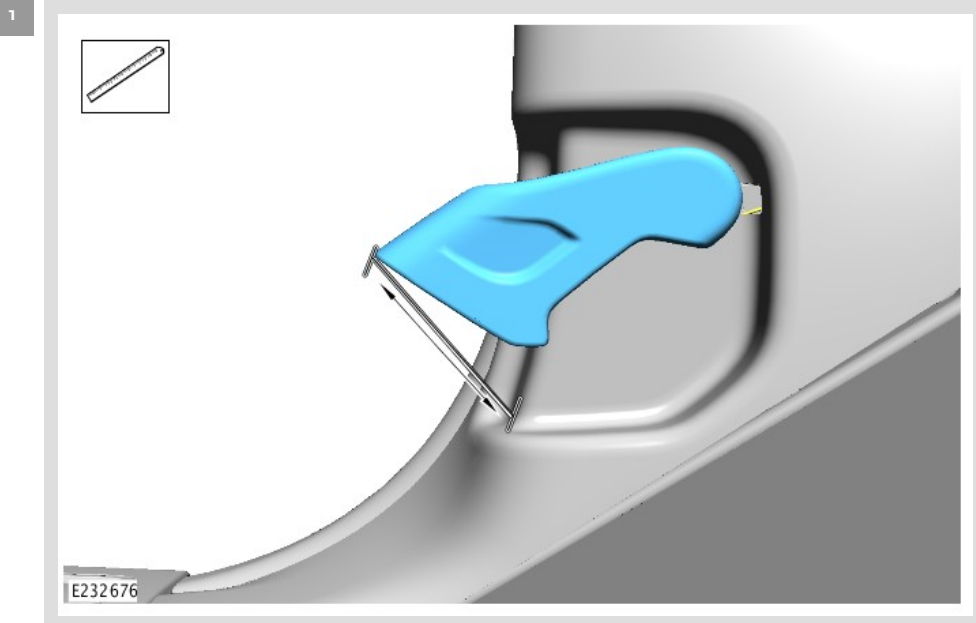
1

-

Normal Warranty policies and procedures apply.

**WORKSHOP PROCEDURE:****NOTES:**

- Some variation in the illustrations may occur, but the essential information is always correct.
- Some components shown removed for clarity.



Open the hood and use a steel rule or similar engineer's scale to record the distance the interior release lever travels to operate the hood latches.

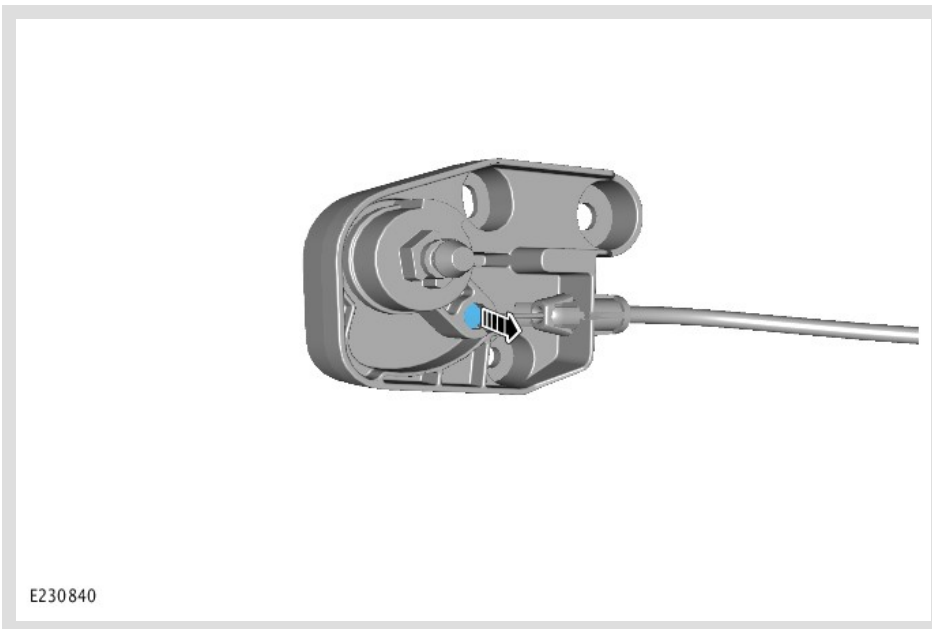
- If the hood interior release lever does operate the hood latches, the hood can be opened, and the distance is less than 120mm, release the vehicle.
  - No further action required.
- If the hood interior release lever does operate the hood latches, the hood can be opened, and the distance is more than 120mm, go to Step 5.
- If the hood interior release lever does not operate the hood latches and the hood cannot be opened, go to Step 2.

2



Remove the hood interior release lever from the hood release mechanism.

3



Release the hood release cable from the hood release mechanism.

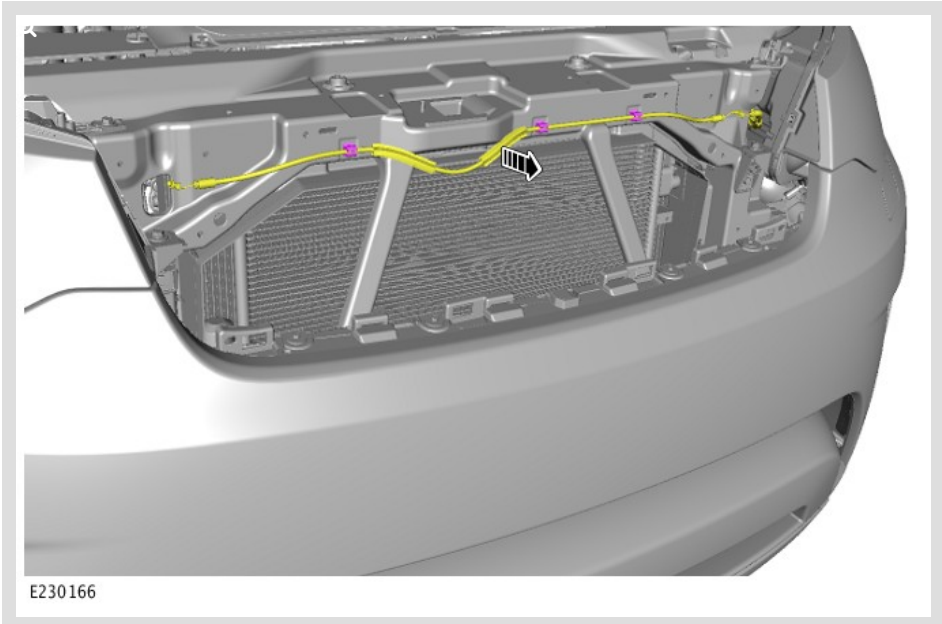
4

Use a suitable tool to operate the hood release cable to release the hood latches and open the hood.

5

Remove the left and right hood latches (see TOPIx Workshop Manual section 501-14: Handles, Locks, Latches and Entry Systems - Removal and Installation - Hood Latch).

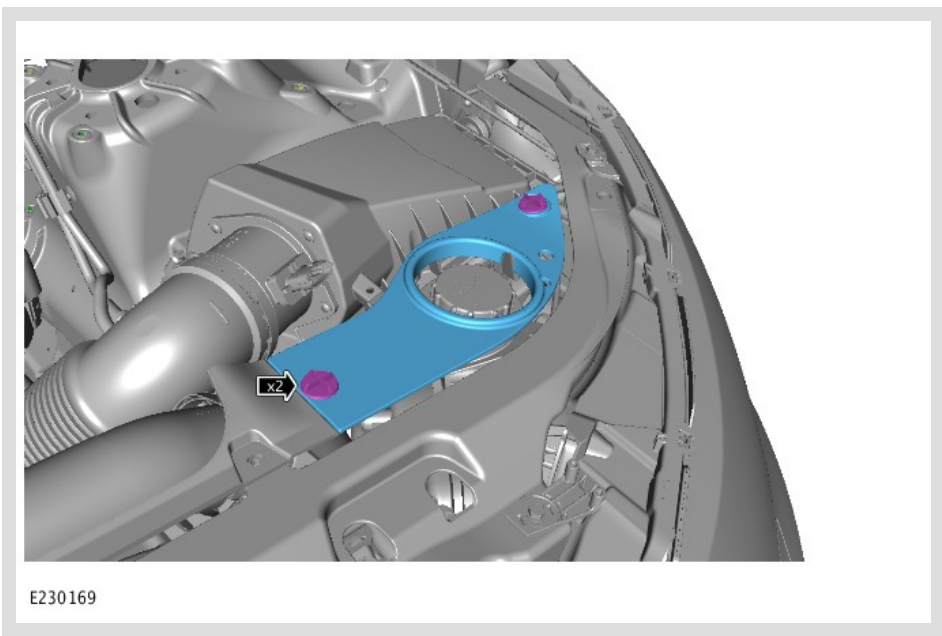
6



E230166

Release the hood release cable.

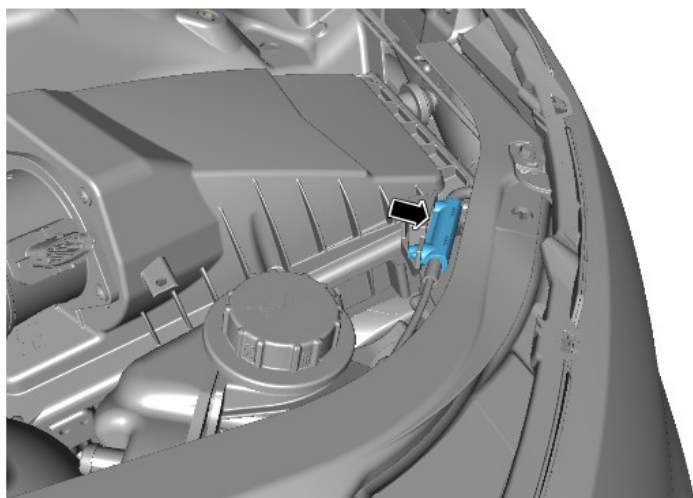
7



E230169

Remove the trim.

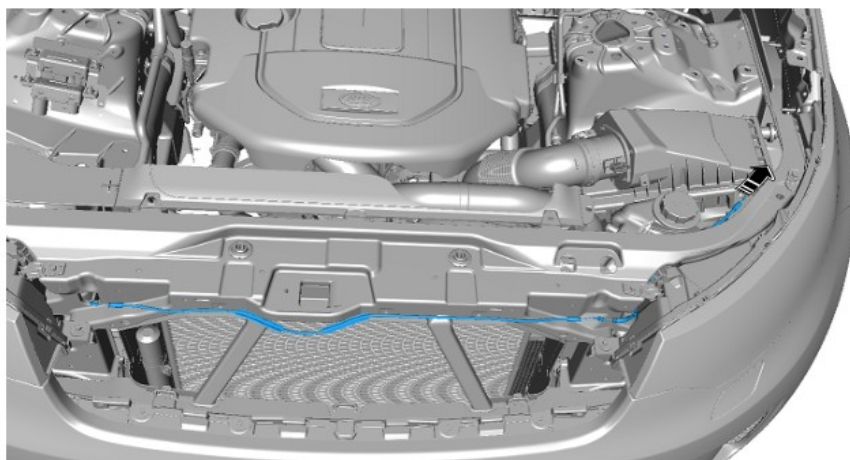
8



E230167

Release the hood release cable from the retainer.

9



E230168

Remove the hood release cable from the vehicle.

10 Renew the hood release cable.

1 Reverse Steps 3-9 to install the new hood release cable.

11 Install the hood interior release lever to the hood release mechanism.

12 Close the hood.