



# Technical Journal

TITLE:

**Panorama roof panel, rattle/vibrate when opening/closing**

<b>REF NO:</b> TJ 33624.1.0	<b>ISSUING DEPARTMENT:</b> Technical Service	<b>CAR MARKET:</b> United States and Canada	
<b>PARTNER:</b> 3 US 7510 Volvo Car USA		<b>ISSUE DATE:</b> 2018-07-09	<b>STATUS DATE:</b> 2018-07-12
<b>FUNC GROUP:</b> 8361	<b>FUNC DESC:</b> Lid	<b>Page 1 of 12</b>	

“Right first time in Time”

## Attachment

File Name	File Size
TJ 33624.pdf	3.2684 MB

## Vehicle Type

Type	Eng	Eng Desc	Sales	Body	Gear	Steer	Model Year	Plant	Chassis range	Struc Week Range
536							2019-9999		0000329-9999999	201746-999952

## CSC Customer Symptom Codes

Code	Description
SC	Sun/moon/convertible roof/Hard/impossible to open/close
B2	Sun/moon/convertible roof/Squeak/rattle

## VST Operation Number

VST Operation Number	Description
98710-2	Glass roof hatch adjust acc. TJ33624

## DTC Diagnostic Trouble Codes

## Text

**DESCRIPTION:**

Panorama roof panel may vibrate/rattle during opening or closing, follow instruction under "Service".

**SERVICE:**

Performed attached instructions.

**VEHICLE REPORT:**

Yes, please submit a Vehicle Report if the service solution described in this TJ has no effect. Use concern area "Vehicle Report" and sub concern area "Support not needed", use function group 8361.

**To view TJ attachment continue to next page. This TJ has one attachment.**



## Volvo Car Customer Service

TJ Instruction VCC-512851-1

<b>Title</b>	Sun roof	<b>Page</b>	1 ( 10 )
<b>Action</b>	Adjustment	<b>Operation number:</b>	98710-2

<b>Issue</b>	<b>Date</b>	<b>Reason</b>
1	2018-07	First issue

### Affected vehicles

<b>Model year</b>	<b>Model</b>
2019	XC40

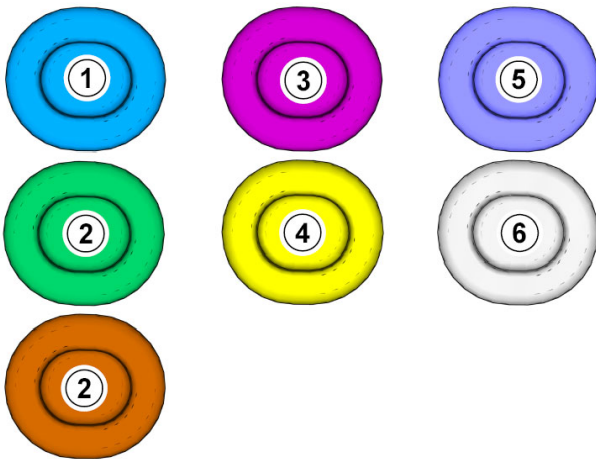
### Materials

<b>Materials</b>	<b>Qty.</b>	<b>Part No.</b>	<b>Notes</b>
High temperature grease (Wurth)	0.06	0893530	

## Removal

**Note! Removal steps in this procedure may contain installation details.**

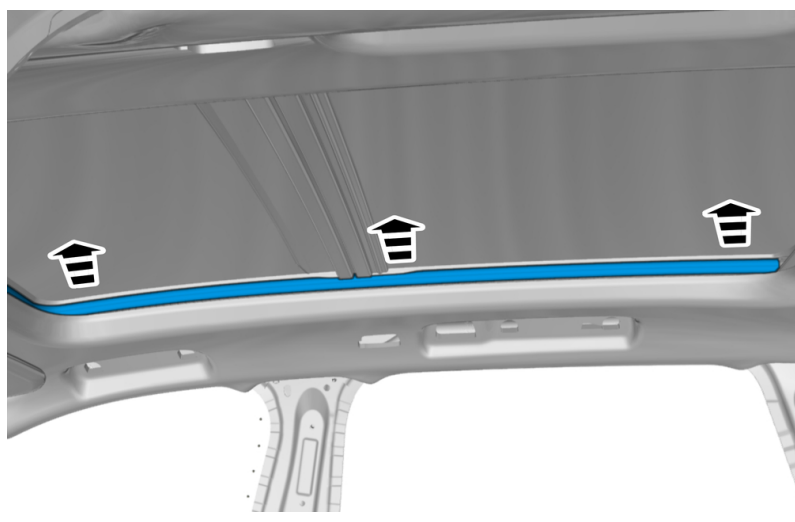
## Color symbols



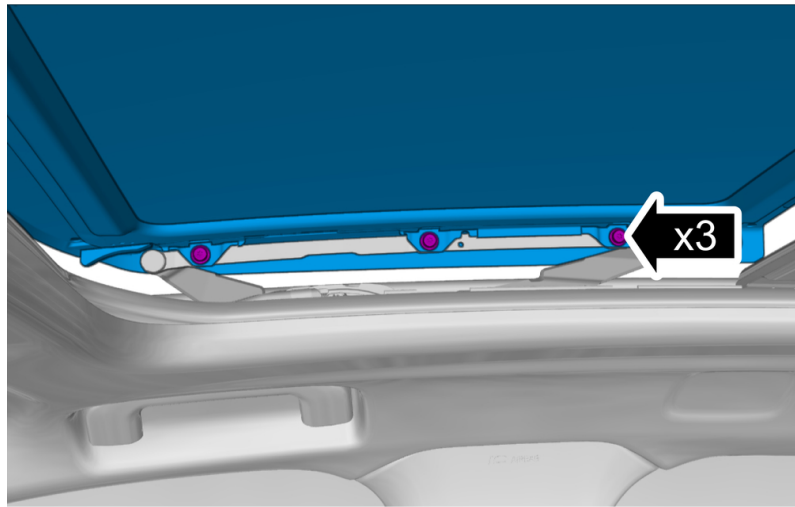
**Note! This colour chart displays (in colour print and electronic version) the importance of the different colours used in the images of the method steps.**

- 1 . Used for focused component, the component with which you will do something.
- 2 . Used as extra colors when you need to show or differentiate additional parts.
- 3 . Used for attachments that are to be removed/installed. May be screws, clips, connectors, etc.
- 4 . Used when the component is not fully removed from the vehicle but only hung to the side.
- 5 . Used for standard tools and special tools.
- 6 . Used as background color for vehicle components.

**Note! Removal steps in this procedure may contain installation details.**

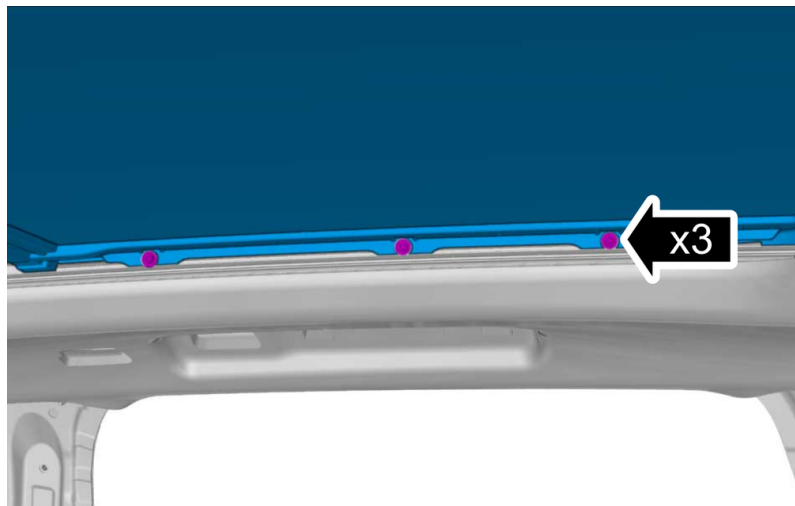


On both sides.



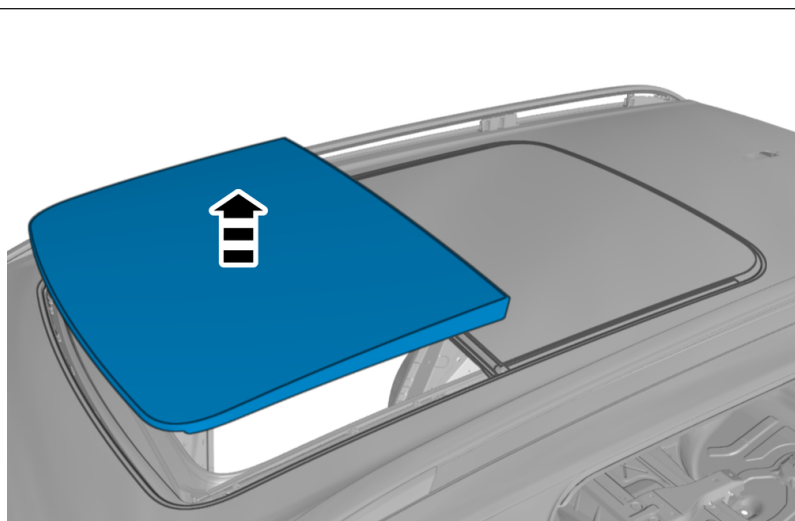
On both sides.  
Remove the screws.

**Torque:**  
M5 , 5 Nm

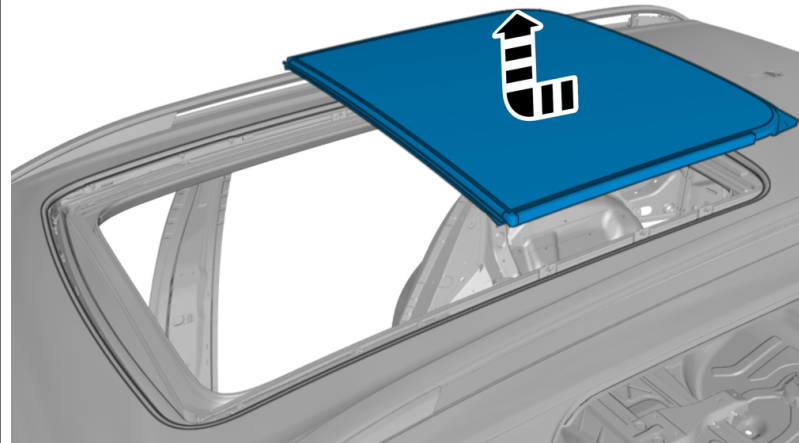


On both sides.  
Remove the screws.

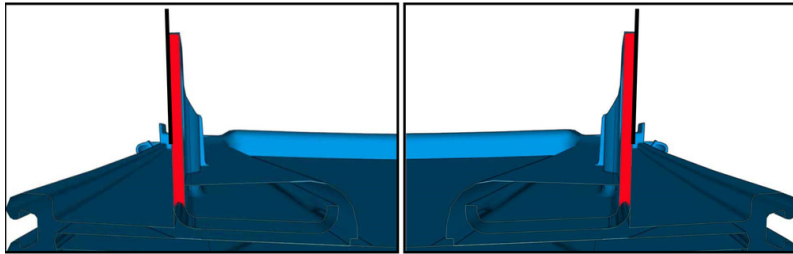
**Torque:**  
M5 , 5 Nm



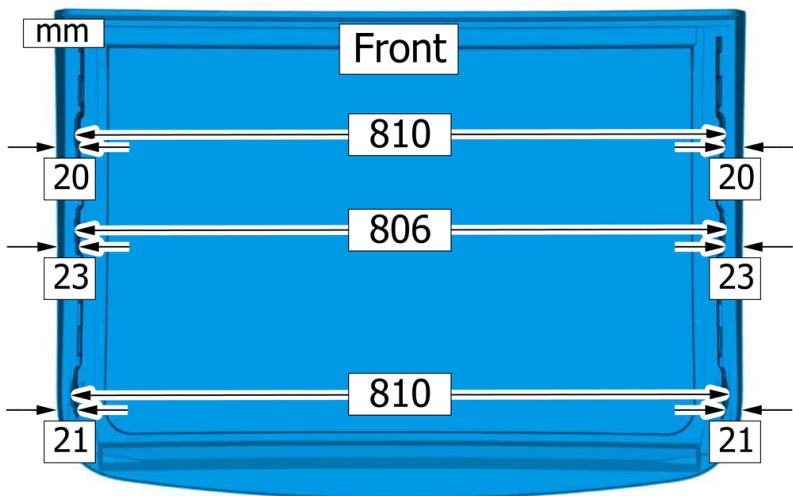
Remove the marked part.



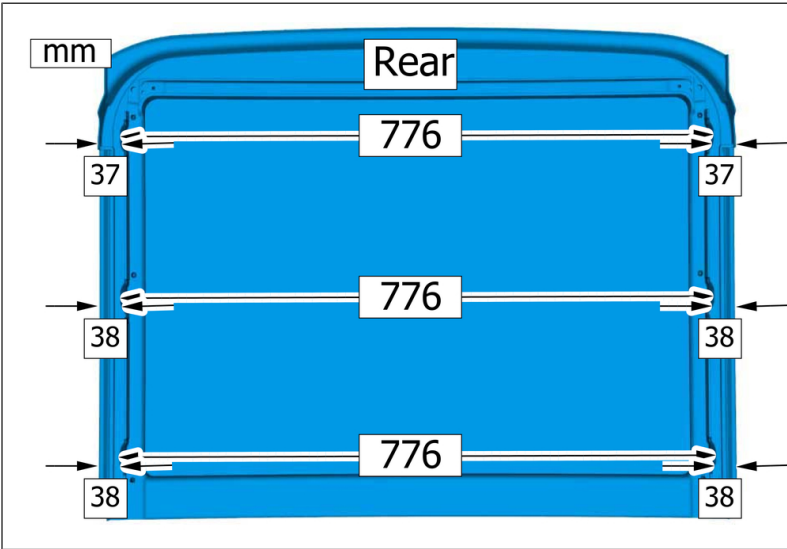
Remove the marked part.



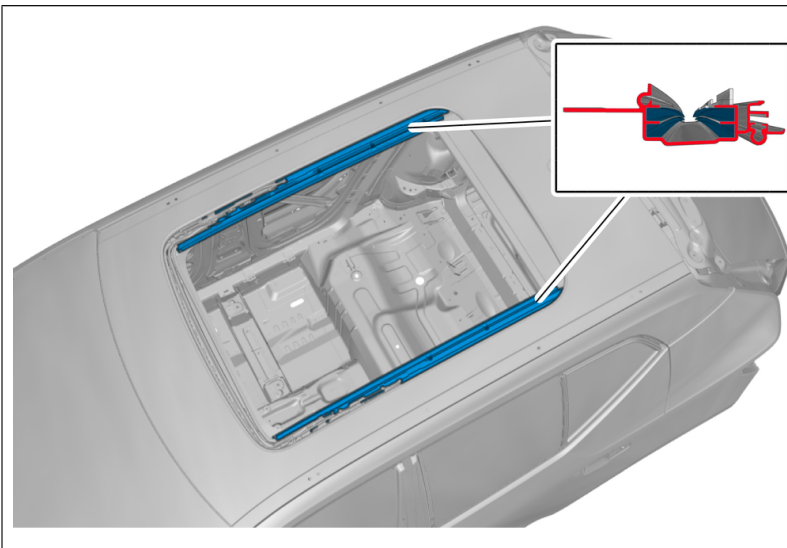
**Note! Orientation view**



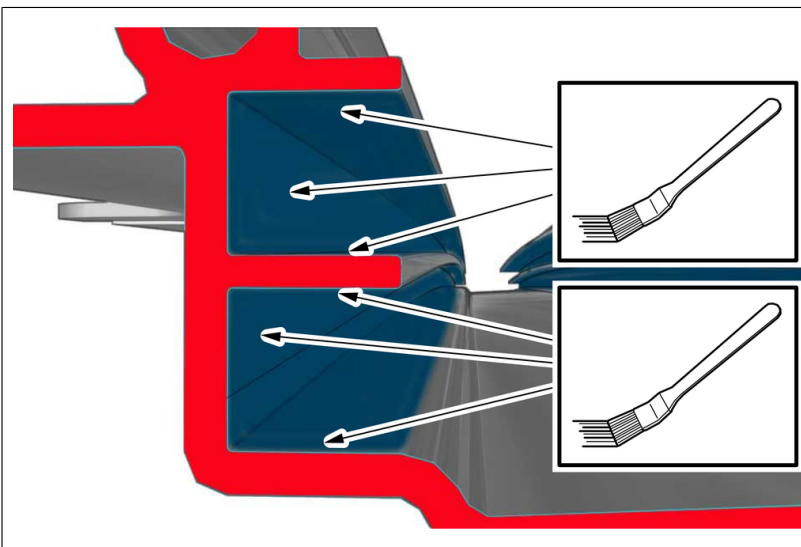
Adjust to the specified value.



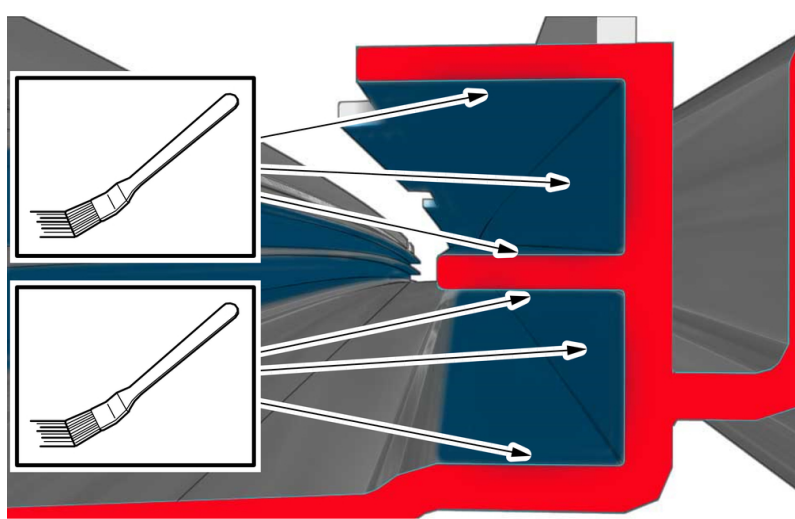
Adjust to the specified value.



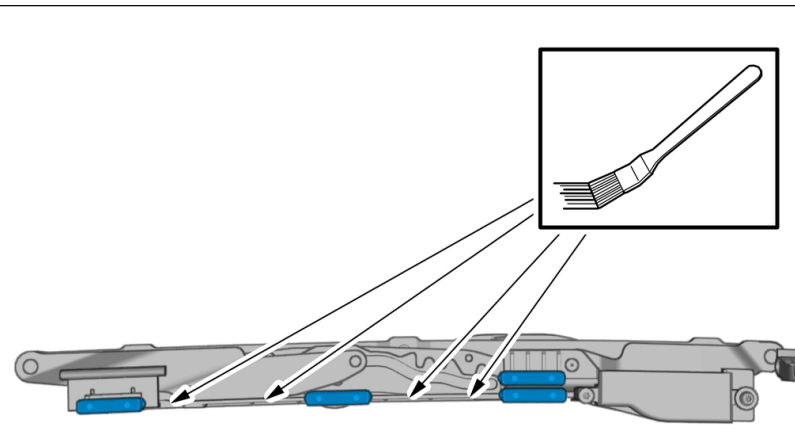
**Note! Orientation view**



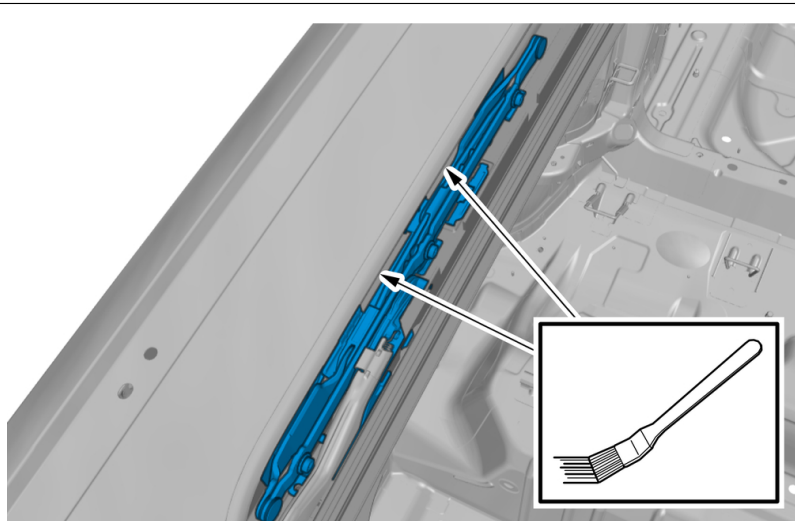
**Use:** High temperature grease , 0893530  
On both sides.



**Use:** High temperature grease , 0893530  
On both sides.

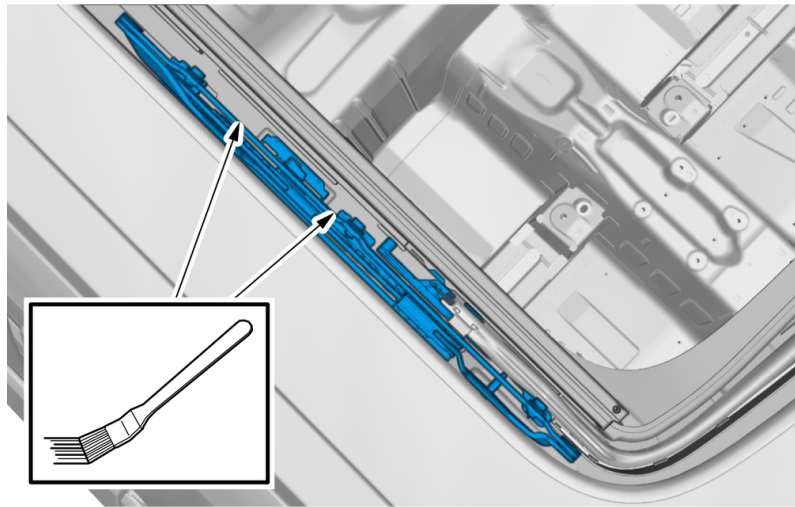


**Note! Orientation view**



**Use:** High temperature grease , 0893530  
On both sides.

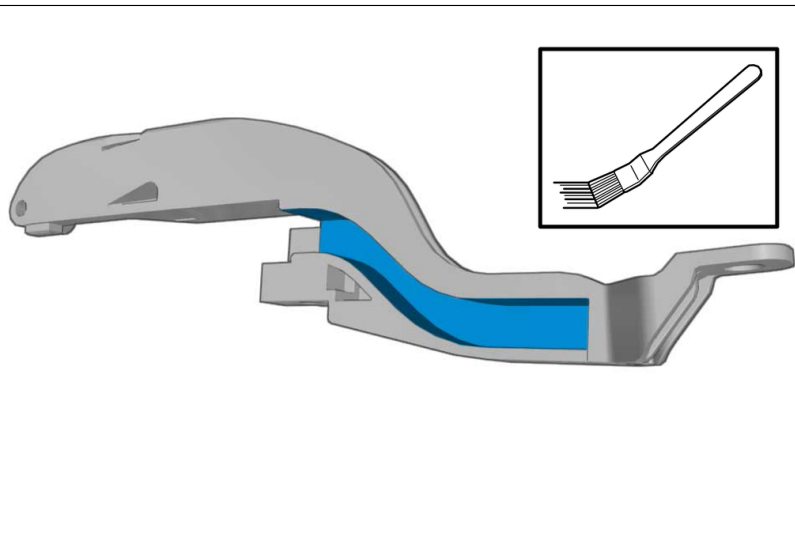




**Use:** High temperature grease , 0893530  
On both sides.

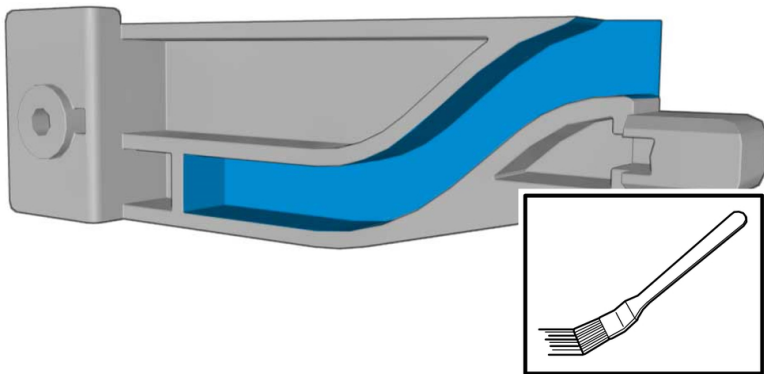


**Note! Orientation view**



**Use:** High temperature grease , 0893530  
On both sides.

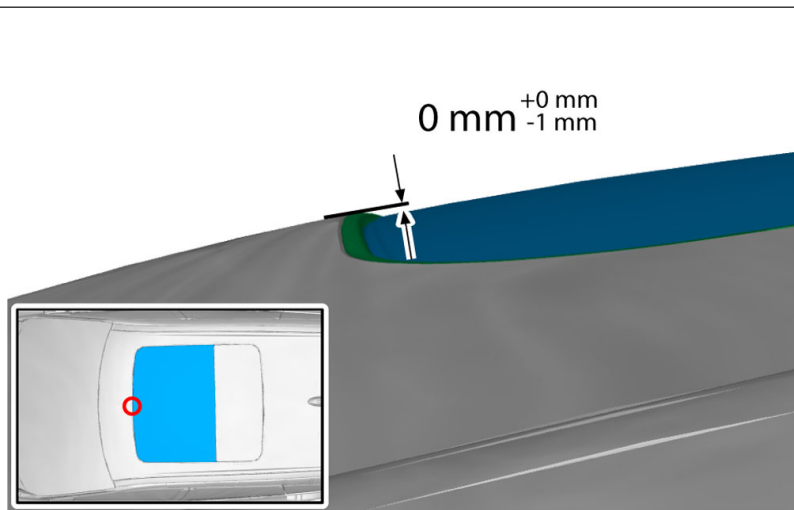
**Use:** High temperature grease , 0893530  
On both sides.

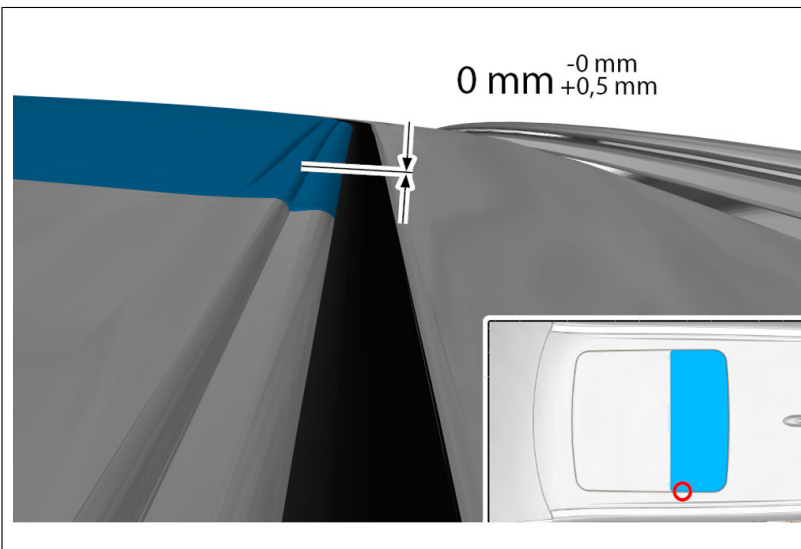
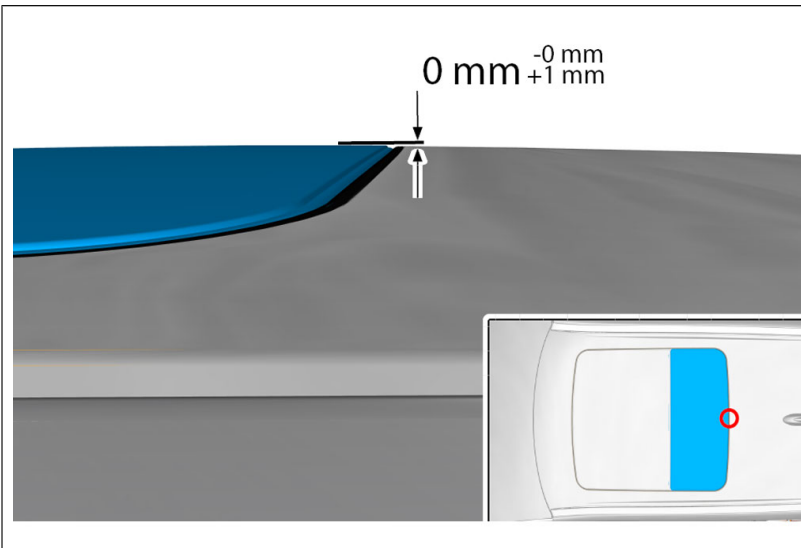
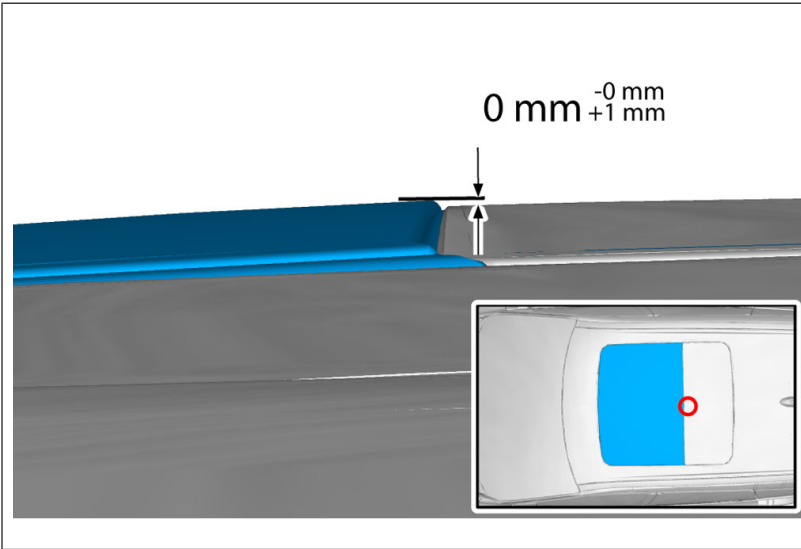


### Installation

To install, reverse the removal procedure.

### Adjustment





Activation

