



LTB00797NAS2

# TECHNICAL BULLETIN

21 AUG 2018

© Jaguar Land Rover North America, LLC

NOTE: The information in Technical Bulletins is intended for use by trained, professional Technicians with the knowledge, tools, and equipment required to do the job properly and safely. It informs these Technicians of conditions that may occur on some vehicles, or provides information that could assist in proper vehicle service. The procedures should not be performed by 'do-it-yourselfers'. If you are not a Retailer, do not assume that a condition described affects your vehicle. Contact an authorized Land Rover service facility to determine whether this bulletin applies to a specific vehicle.

## INFORMATION

This reissue replaces all previous versions. Please destroy all previous versions.

Changes are highlighted in blue

## SECTION:

501-19

## SUBJECT/CONCERN:

Rear Bumper Cover-to-Body Gap

## AFFECTED VEHICLE RANGE:

MODEL:

MODEL YEAR:

VIN:

MODEL:	MODEL YEAR:	VIN:
Range Rover Sport (LW)	2014 Onwards	000002 Onwards

## MARKETS:

NORTH AMERICA

## CONDITION SUMMARY:

### SITUATION:

A small gap may be seen between the rear bumper and the tailgate body aperture seal when the tailgate is open.

### CAUSE:

This may be caused by the vehicle body not being to the original design specification.

### ACTION:

Should a customer express this concern, follow the Service Instruction below.

## PARTS:

PART NUMBER	DESCRIPTION	QUANTITY
LR041734	Seal Pad	1
LR073721	Foam strip	5

## WARRANTY:

### NOTES:

- Repair procedures are under constant review, and therefore times are subject to change; those quoted here must be taken as guidance only. Always refer to JLR claims submission system to obtain the latest repair time.

- The JLR Claims Submission System requires the use of causal part numbers. Labor only claims must show the causal part number with a quantity of zero.

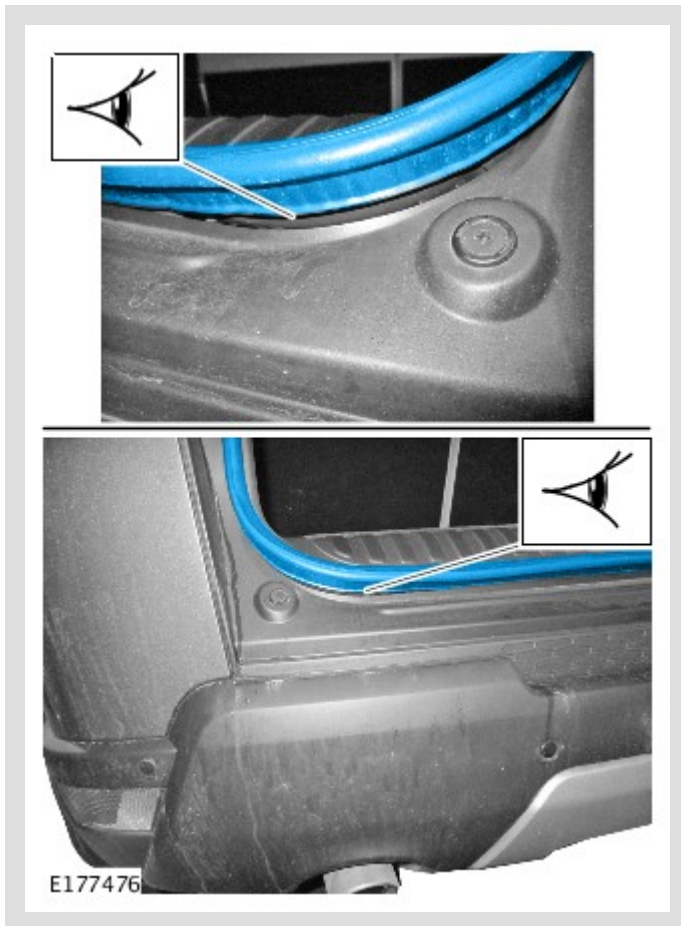
DESCRIPTION	SRO	TIME (HOURS)	CONDITION CODE	CAUSAL PART
Rear bumper cover-to-body alignment	76.22.89.37	1.5	07	LR044404 / LR044406

**NOTE:**

Normal Warranty procedures apply.

**SERVICE INSTRUCTION:**

1



Check the rear bumper cover-to-body gaps.

- 2 Remove the rear bumper cover (see TOPIx Workshop Manual, section 501-19: Bumpers - Rear Bumper Cover).

3



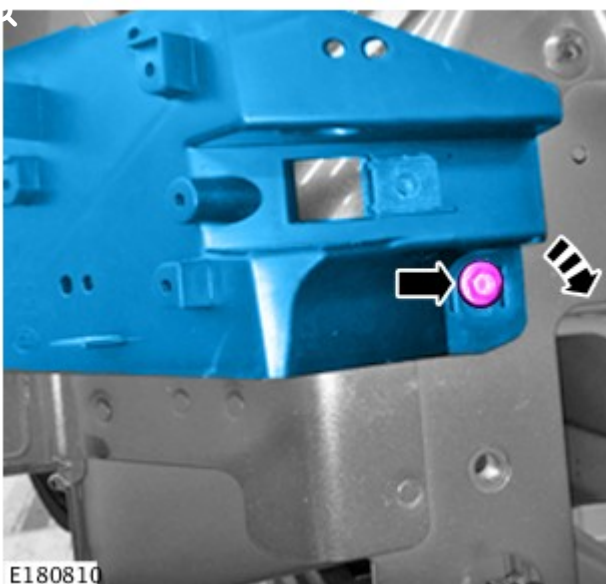
E178389

Remove the rear bumper cover center support bracket.

4

 NOTE:

Repeat this step on both sides of the vehicle.



E180810

Remove the bolt.

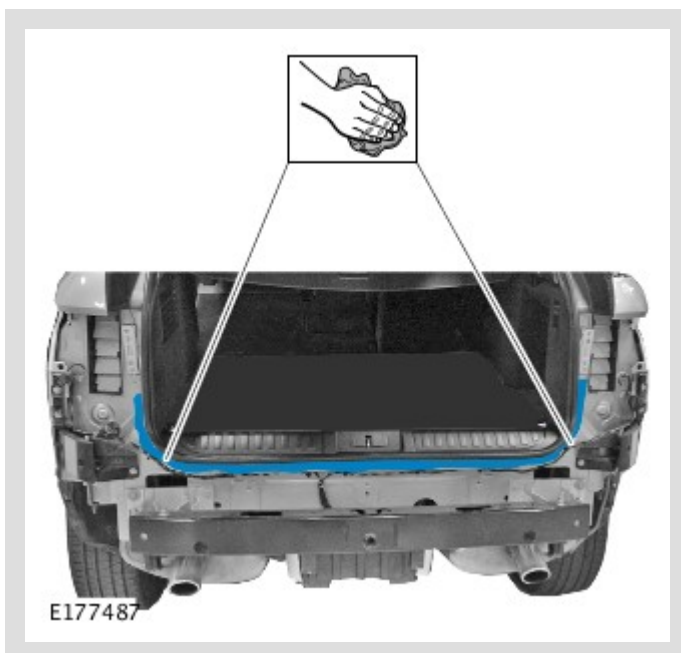
- Release the rear bumper cover corner support bracket from the rear panel of the vehicle.

5



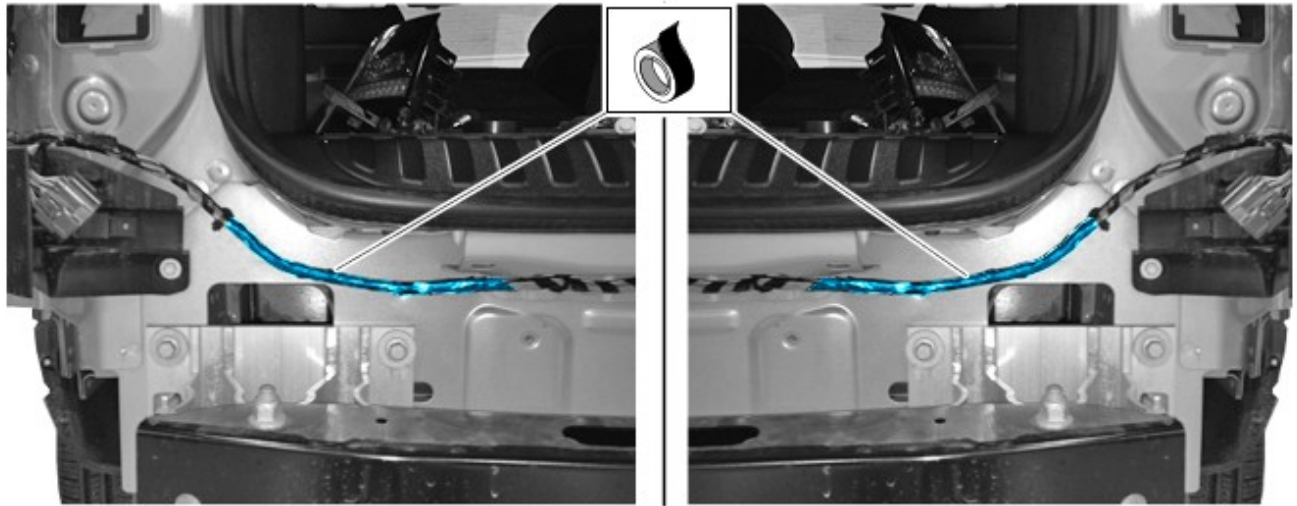
Remove the tailgate weatherstrip.

6



Use a suitable cleaner to clean the area shown.

7



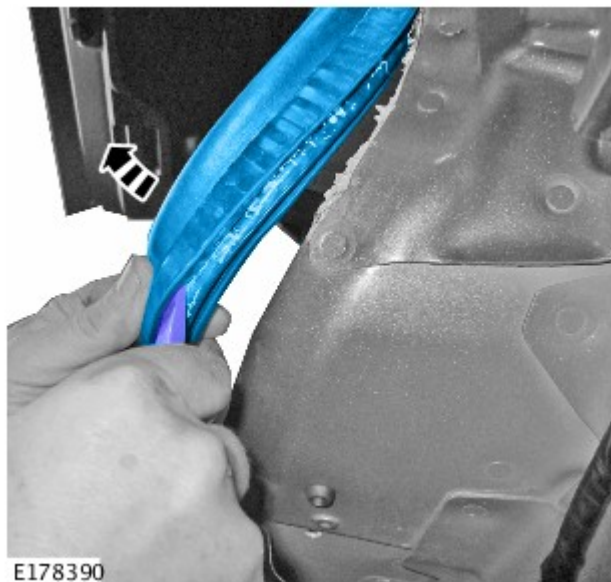
E177477

Use a suitable tape to wrap the rear electrical harness.

8

 **NOTE:**

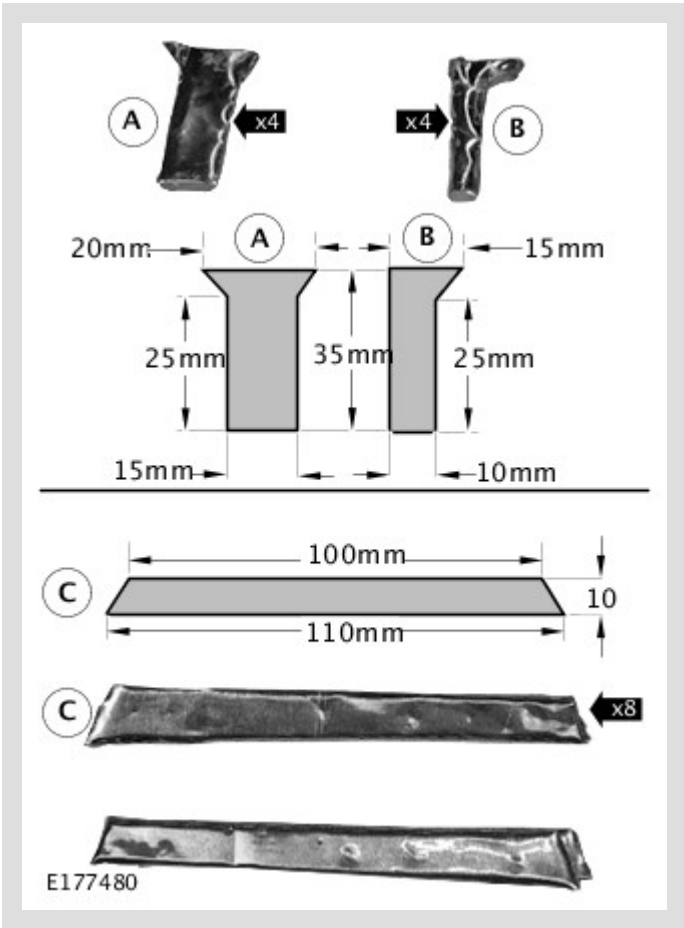
Carefully spread the seal in the corner sections only.



E178390

Use a suitable tool to spread the gap on the tailgate weatherstrip.

9



Use a suitable tool to cut the seal pad to the sizes shown.

10

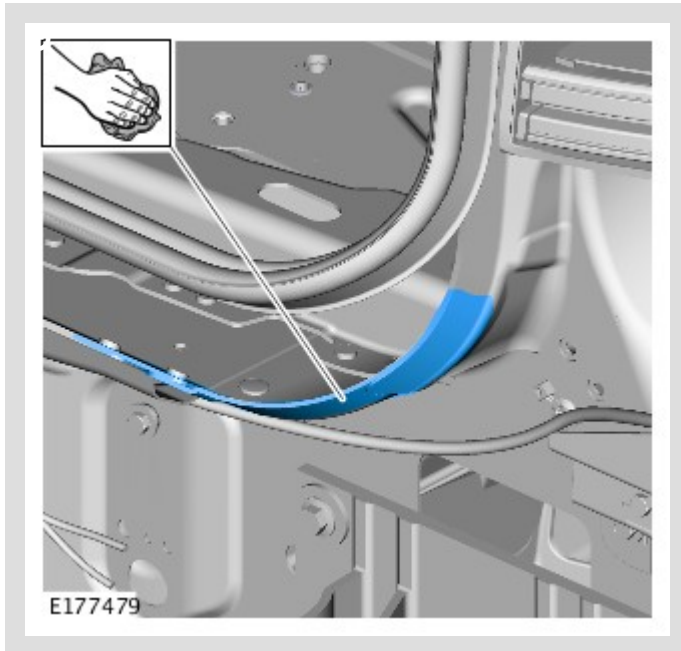


Stick two equal pieces together to make each piece twice the thickness.

11

NOTE:

Repeat this step on both sides of the vehicle.

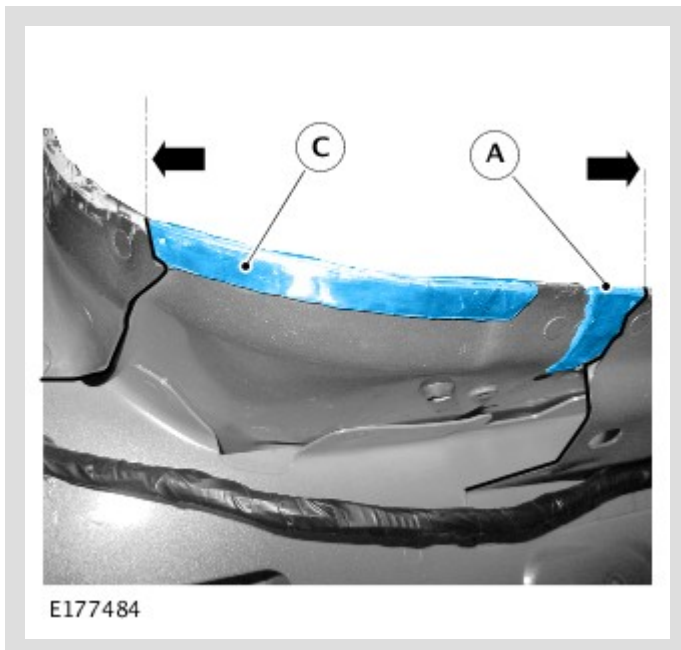


Use a suitable cleaning solution to clean the excess sealant from the vehicle in the area shown.

12

#### NOTES:

- Make sure the seal pad is completely adhered to the vehicle.
- Make sure the seal pad is flush with the edge of the vehicle body.



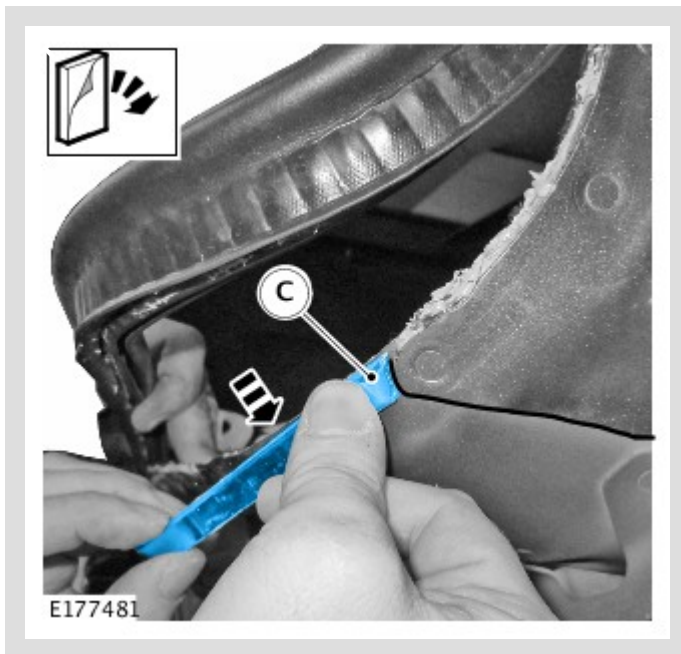


Install the seal pad on the vehicle in the area shown, locating the seal pad against the panel edges shown.

13

### NOTES:

- Repeat this step on both sides of the vehicle.
- Make sure the seal pad is completely adhered to the vehicle.
- Make sure the seal pad is flush with the edge of the vehicle body.

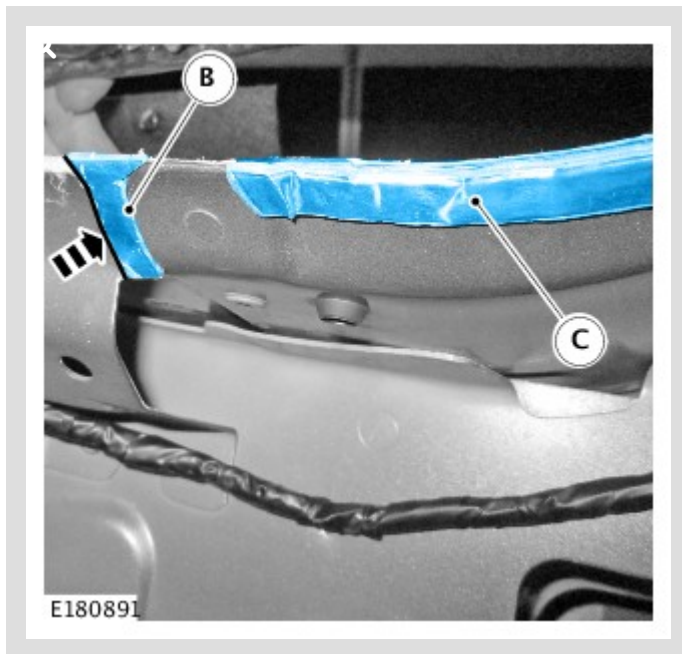


Locate and Install the seal pad against the panel edge shown.

14

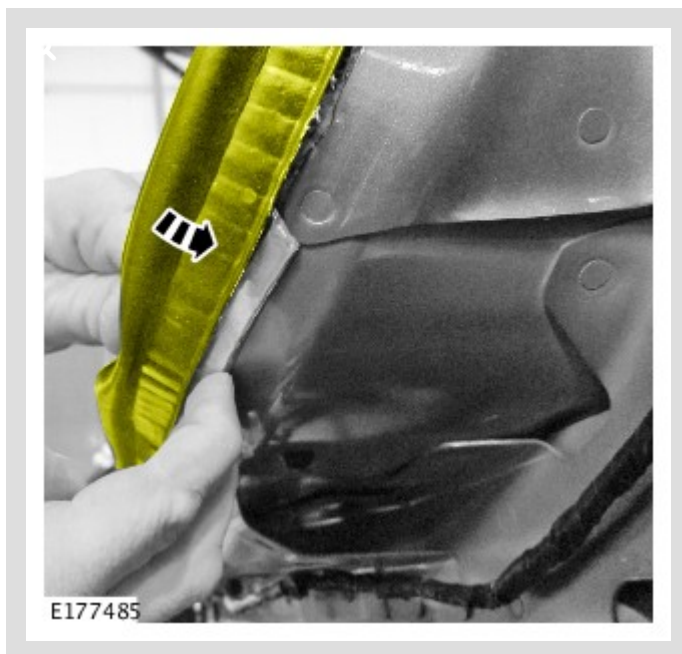
### NOTES:

- Make sure the seal pad is completely adhered to the vehicle.
- Make sure the seal pad is flush with the edge of the vehicle body.



Locate and Install the seal pad against the panel edge shown.

15

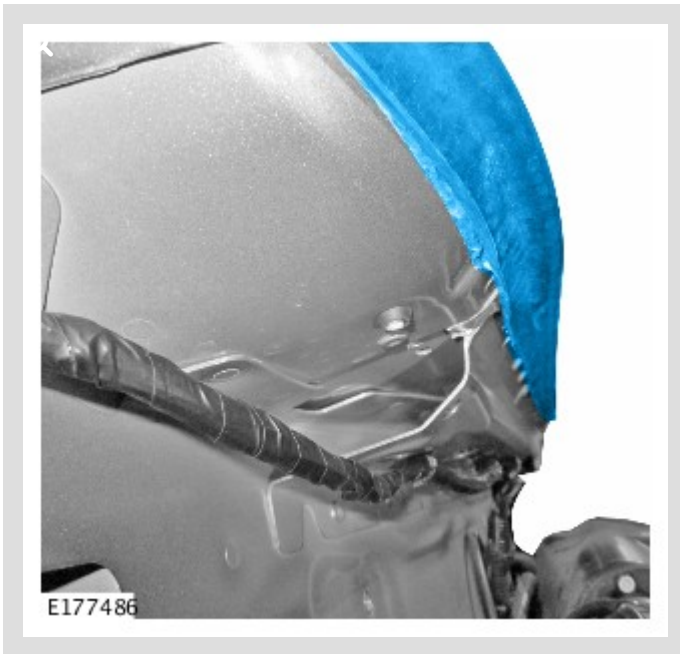


Install the tailgate weatherstrip.

16

 **NOTE:**

Make sure the tailgate weather strip completely covers the seal pad when installed.

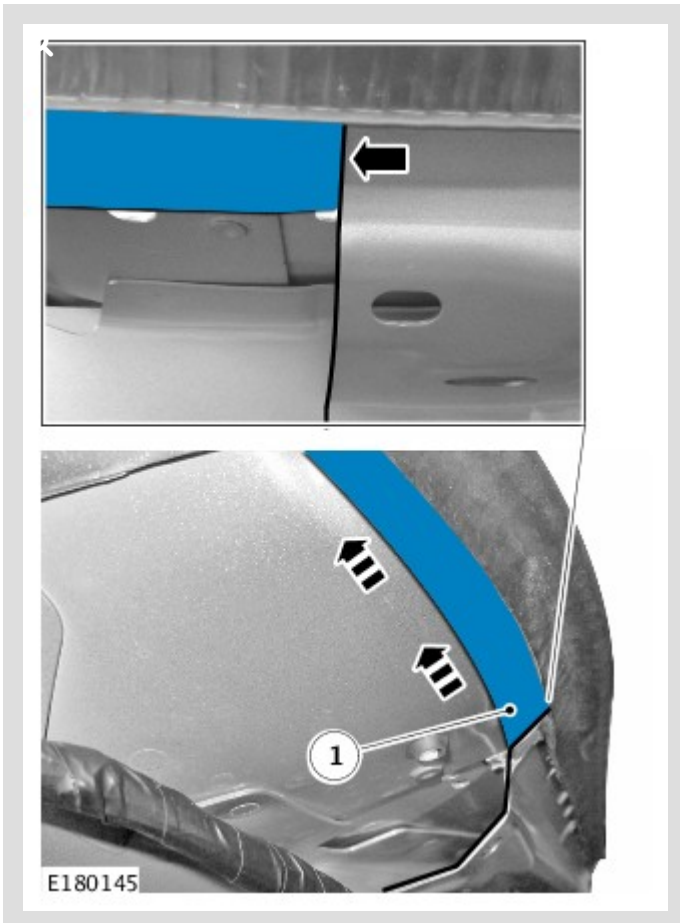


Note the correct position of the tailgate weatherstrip after being installed to the vehicle.

17

**NOTE:**

Repeat this step on both sides of the vehicle.



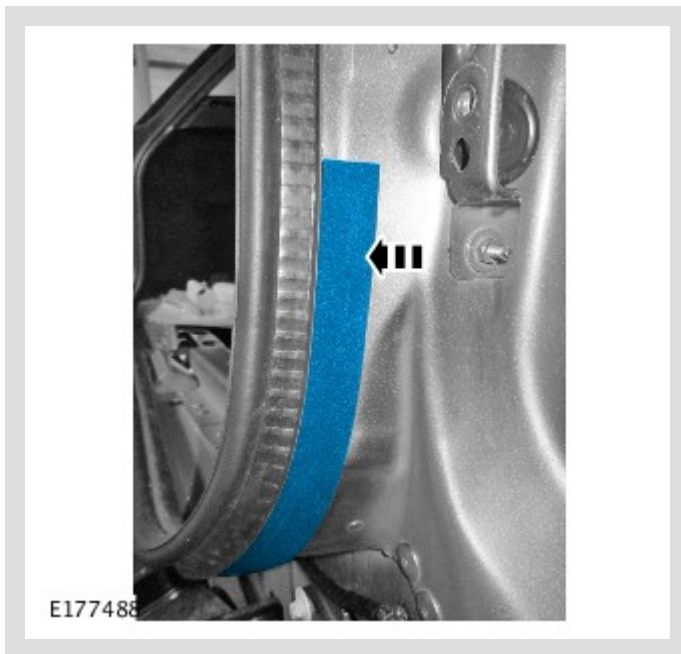
Install the foam strip in the area shown.

- Install the foam strip starting at the edge of the rear panel and moving in the direction shown.

18

### △ NOTES:

- The foam strip supplied will be pre-cut to the correct lengths.
- Repeat this step on both sides of the vehicle.

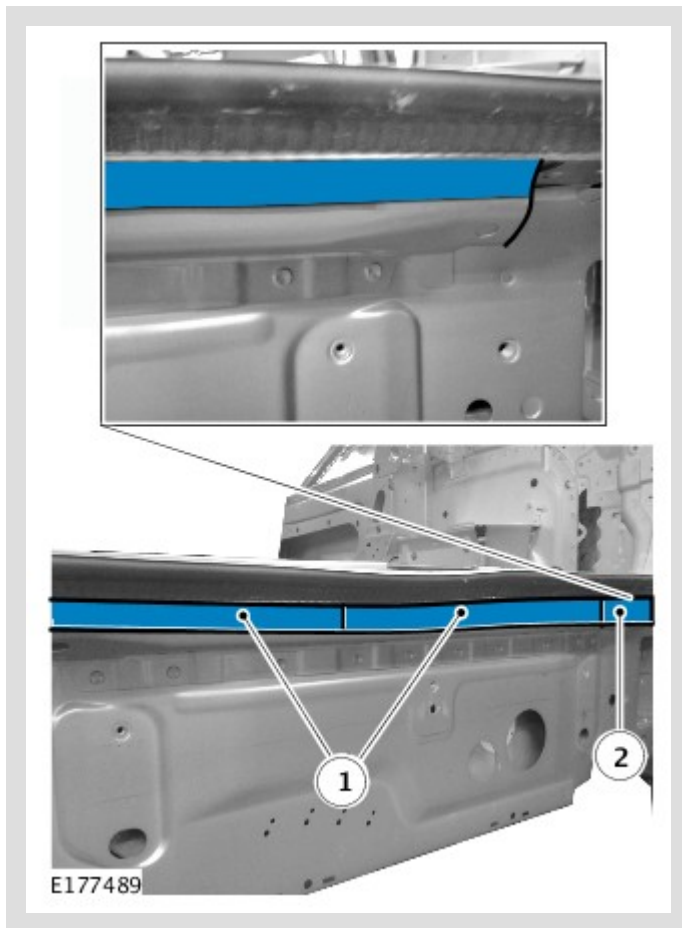


Make sure the foam strip is flush with the tailgate weatherstrip.

19

### △ NOTE:

Three pieces of foam strip will be required to cover the lower flange: 2 pre-cut lengths (number 1); 1 strip to be cut down to 70mm (number 2). This will cover the whole of the lower flange area.



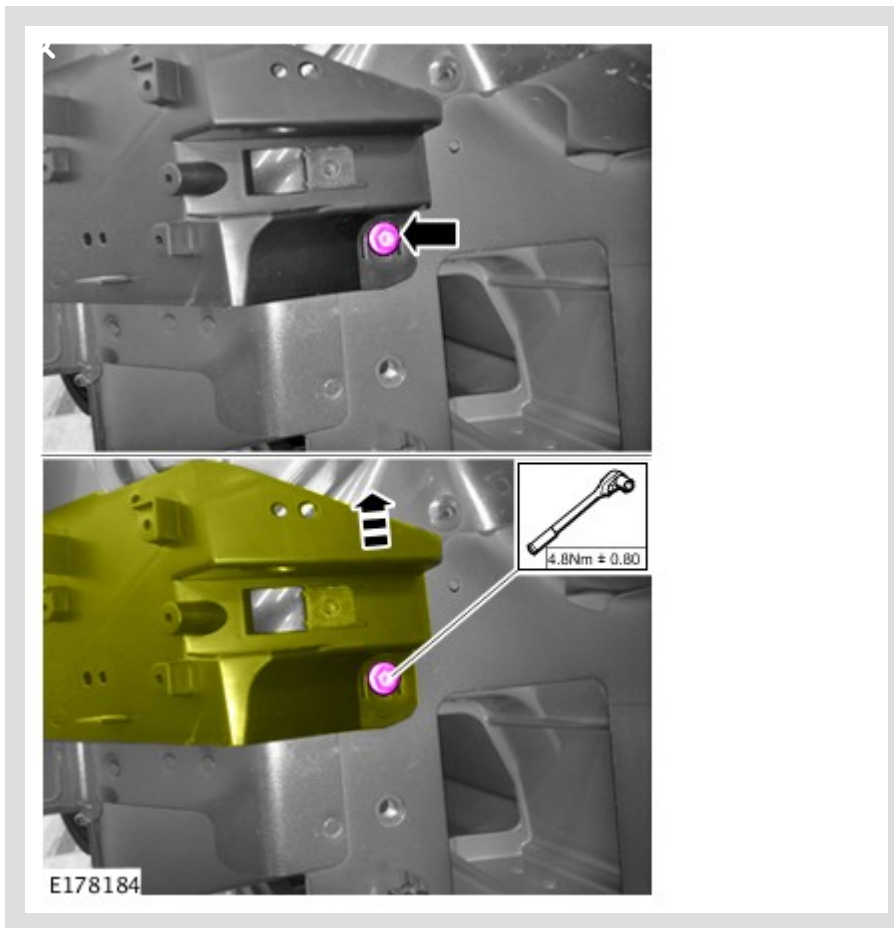
Install the foam strip in the area shown.

- Install the foam strip, starting at the left edge of the rear panel and work across to the opposite edge of the rear panel.

20

 **NOTE:**

Repeat this procedure on both sides of the vehicle.



Install the rear bumper cover corner bracket holding at its uppermost position.

- Torque: 4.8 Nm

21



Install the rear bumper cover center support bracket holding at its uppermost position.

- Torque: 4.8 Nm

22 Install the rear bumper cover (see TOPIx Workshop Manual, section 501-19: Bumpers - Rear Bumper Cover).

23



Make sure the rear bumper cover to body gaps are correct.