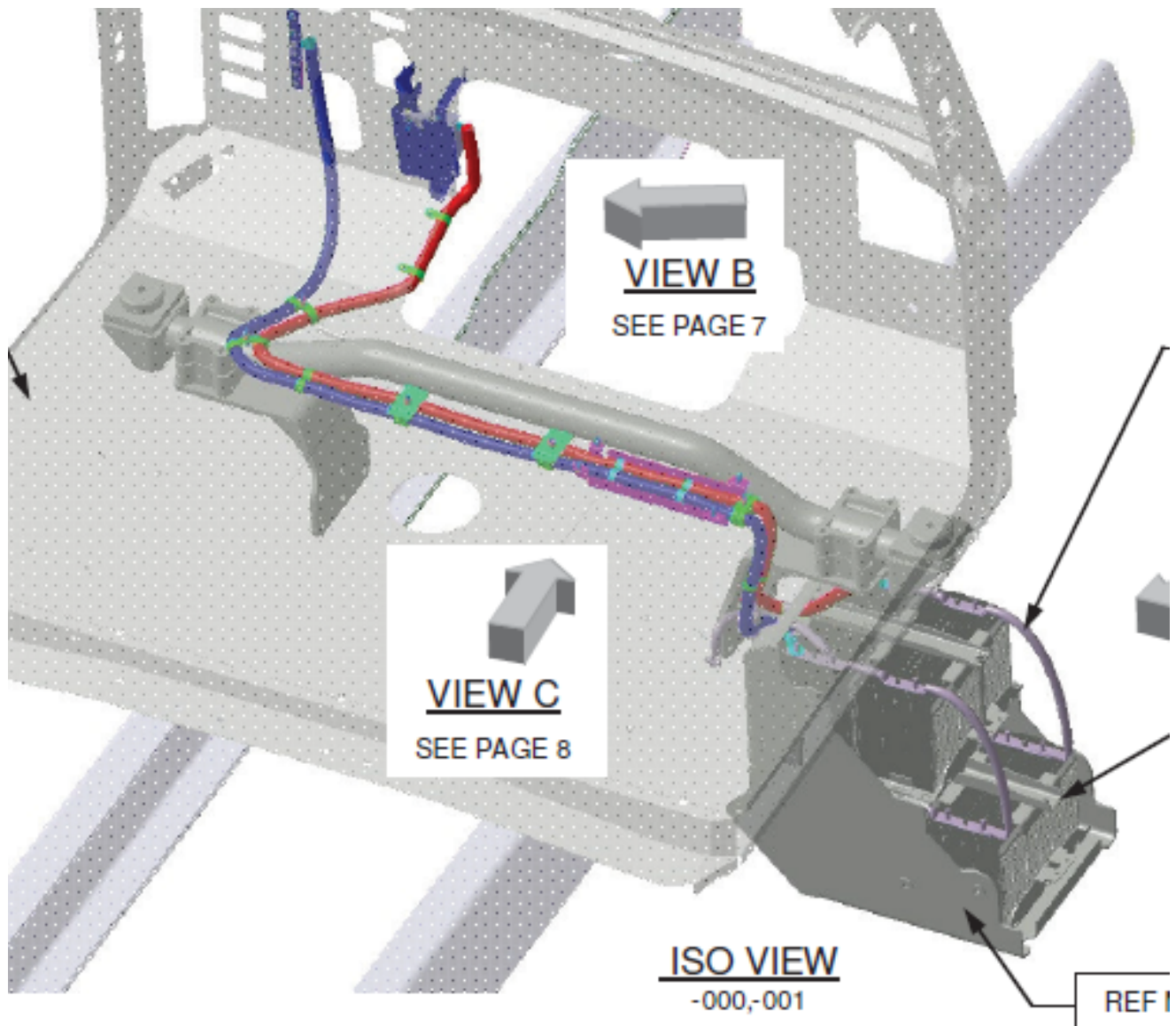


SS - 1033194 WST 4900FA Cab Mounting Crossmember Interfering with Battery Cables Heat Shield

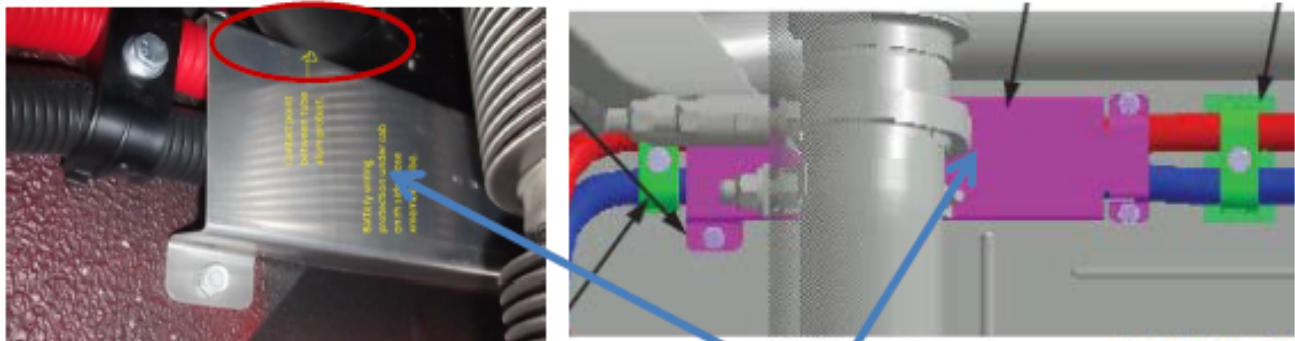
WST 4900FA Cab Mounting Crossmember interfering with Battery Cables Heat Shield

In some configuration with Battery Box mounted in the RHS Frame rail, the Battery Cables routing under the cab floor is protected with a Heat Shield that is interfering with the Cab mounting Crossmember.



This Battery Cable routing installation needs to be revised removing the Heat Shield and protecting the Battery Cables with Reflective Wrap as shown below.

SS - 1033194 WST 4900FA Cab Mounting Crossmember Interfering with Battery Cables Heat Shield



Part number to remove is: 04-28476-000 - HEAT SHIELD BATTERY CABLES

Part Required: BEN 476263328 - TUBE-RFLT SLV,1.25",HTSHD

SS - 1033194 WST 4900FA Cab Mounting Crossmember Interfering with Battery Cables Heat Shield

Please contact our WST Field Service Team if you have questions or need additional information.